

**EDI-Recommendations  
of GS1 Germany  
Version 9.3  
Food/(Non)Food**

**Proforma Invoice  
(INVOIC)**

**EANCOM 2002 Syntax 3**

Introduction.....	2
Business Terms.....	12
Branching Diagram.....	21
Message Structure.....	48
Segmentlayout.....	55
Codes.....	264
Example.....	488

## Einführung

---

### Introduction

The aim of the brochure on hand is to offer documentation describing the exchange of proforma invoice data between business partners.

The basis of this elaboration is the international standard EANCOM® 2002. The message type INVOIC 010 is used to transmit relevant data. GEFEG.FX (Gefeg mbH, Berlin) was used as the documentation tool.

Please be aware to know that this booklet does not replace the complete specifications in the original chapters or other relevant instructions within the EANCOM® 2002 documentation. Instead, it deals with the description of segments, data elements and codes to be used for a specific task.

The current documentation has been produced by the GS1 Germany GmbH in Cologne. GS1 Germany assumes no liability for any damages incurring from the use of this documentation. This brochure or extracts thereof may only be published or forwarded to third parties with the express written consent of GS1 Germany, which holds copyright on this work.

### Important note

To fulfill the requirements of directive 2003/58/EG, article 4, C058 has been opened in NAD segments identifying a message sender. If the place in the 5 DE 3124 is not sufficient, the following RFF segments can be used, qualified with DE 1153 = GN. DE 1154 has got a capacity of 70 digits. Only in those cases, when no RFF segment follows NAD, a RFF+GN can be used in the heading section of the message. Within the EDI recommendations of GS! Germany this is only applicable for the messages REMADV and SLSFCT.

### This brochure offers different ways to start

#### Introduction

"Introduction" contains a short description of the respective message.

#### BusinessTerms

"Business Terms", is a table which links directly to the sequence numbers of the segments.

#### Diagram

"Diagram", is a hierarchical graphic depiction of all used segments in the same sequence as they are defined in the EANCOM® message. However, every segment is shown only once, and it is therefore possible that the sequence numbering is interrupted.

#### Structure

"Structure", is a list of all used segments in the same sequence as they are defined in the EANCOM® message. In general, for each piece of information one single segment is provided. Exeptions may arrise when the the occurence of a segment is limited and can contain alternative information (e.g., segment BGM).

#### Segmentlayout

"Segmentlayout", an illustration that has been chosen to match the business terms (data from the inhouse application) with the elements from the EANCOM® syntax.

#### Codes

"Codes" contains a list of the codes used in the message.

## Einführung

---

### Examples

"Examples", provides at least one message example with comments. Please note that, for technical reasons, the examples can contain component data element separators, which would otherwise be represented as data element separators in the original messages.

### Print

"Print" opens the PDF documentation for the corresponding message.

## Message structure

### Heading section

Specification of issuer of invoice, invoicee, delivery party, delivery date and message number.

### Detail section

Specification of GTIN to identify goods and their quantity.

### Summary section

The summary section contains total amounts of the document without any tax specification.

## Notes

The proforma invoice is structured like the invoice message. One proforma invoice is issued per delivery of goods to one delivery party (if the trading partners did not agree one single invoice per delivery) and meets in a consolidation. For that reason the terms invoiced unit is also used in the proforma invoice.

Tax amounts must not be included in the message. Prices and amounts can be provided in a valued proforma invoice.

As credits can only be identified by negative quantities in a proforma invoice all monetary amounts (outside ALC segment groups) must be provided with the correct sign.

## Notes to EDI recommendations based on EANCOM® message type INVOIC

### Note to the detail section of the documentation

The detail section is presented in four paragraphs:

#### 1. Line level

This detail section is mandatory in the message, and describes an invoiced unit, if no assortments with different tax rates are invoiced (see 4. Detail section).

Sublines:

#### 2. Detail section - consumer unit

This detail section can be used in the message (mandatory on users request), (e.g., description of umbrellas in the case).

#### 3. Detail section - not invoiced units included in assortment

## Einführung

---

This detail section is only used in the message if the invoiced units of the first detail section are displays or assortments and the content shall be listed, (e.g., different types of umbrellas in the case).

### 4. Detail section - invoiced units included in assortment

This detail section is only used in the message if the delivered units of the first detail section are non-invoiced displays or assortments and the contents shall be invoiced, (e.g., products in the case are of different tax rates).

Possible combinations:

#### Invoicing of one article

o Only 1. Line level, if invoiced unit = consumer unit

#### Invoicing of one article (package) and indication of contained consumer units

o 1. Line level plus 2. subline

#### Invoicing of a mixed assortment (package) and indication of contained consumer units

o 1. Line level plus 3. subline (List of items)

#### Invoicing of the contained items of a mixed assortment (package)

o 1. Line level = delivered quantity, plus 4. subline for invoicing, if articles with different tax rates are contained.

## Agreements Detail Section

### Free Goods Quantity

[1] Nonsaleable goods (sample)

QTY+192 (free goods quantity)

PRI+AAB = 0

MOA+203 = 0

[2] Saleable goods

QTY+192 (free goods quantity)

PRI+AAB (article price)

MOA+203 = 0

## Agreements Summary Section

### Indication of segment status in "Segment notes"

For all conditional MOA segments within our recommended INVOIC structured messages (UNH DE 0065 = INVOIC), DE 5004 may NOT have a value of zero (0) and must be omitted, unless it is qualified (e.g., taxable value = 0 for non-taxable sums such as donations).

For all mandatory MOA segments within our recommended INVOIC structured messages (UNH DE 0065 = INVOIC), DE 5004 must have a value, even if it is zero (0).

The taxable amount (MOA+125) and the amount of the tax (MOA+124) must be indicated, even if they have a value of zero (0).

**Einführung**

Segment group 52 is only used, if the invoice contains more than one tax rate. Every tax rate of the lines must be indicated in one SG52. If an invoice/credit note contains tax-free sums in addition to taxable sums, the summary section of the invoice (and the invoice register message BGM+393, if the use of this message is bilaterally agreed) must contain the corresponding TAX segment in SG52.

**REFERENCES IN THE BEVERAGE SECTOR**

**Definition for typification**

**Special features of empties balance statistics**

The message type INVOIC is originally used to invoice or credit delivered goods or rendered services. The transmission of statistical information is generally not provided for.

Within the beverage industry, however, the purely invoiced goods and the invoice issued with them usually include receipted empties (bottles, frames and containers), which represent a transitory item, but can nevertheless become part of the receivable.

The use of the INVOIC message type as a proforma invoice enables the exchange of the data necessary for statistics, which are necessary for the assessment of stocks and values. Invoicing of the deposit values via the message is not intended, it serves purely informational purposes and does not receive any sales tax!

It is only intended to create the conditions for electronic processing. By the electronic completion itself no balance recognitions take place. The legal framework conditions are to be clarified bilaterally between the business partners.

The authors explicitly point out that the use of the message type INVOIC as a proforma invoice (identification in the segment BGM, data element 1001) is standard compliant to the EANCOM user guideline, but in contrast to a commercial invoice, credit note or similar, it uses different qualifiers in the segment QTY (quantity).

**Definition for typification**

(only available in German language)

Beschreibung eines Pfandartikels		
Typkriterien: Typ-Nummer Typbezeichnung Pfandbetrag (EURO) Stapelbarkeit		
Pfandartikel A Pfandartikelnummer GTIN Ausführungskriterien	Pfandartikel B Pfandartikelnummer GTIN Ausführungskriterien	Pfandartikel C Pfandartikelnummer GTIN Ausführungskriterien

A type defines the logistically functionally relevant characteristics (type criteria) of similar deposit

## Einführung

---

articles for each application and groups them together (= classification). Type criteria for returnable beverages are deposit amount and stackability. This creates the prerequisite for processing a bundled returnable beverage with a unique, cross-article type number.

The classifying type numbers for returnable packaging are assigned centrally (GS1-Germany) according to a criteria standardization.

The assignment of the deposit article GTIN is carried out by the respective data manager (e.g. bottler) and refers to the individual deposit article.

Each of the deposit items therefore has two one-to-one numbers, a classifying number and an item-related number, which can be used flexibly depending on the requirements of the multi-stage process chain.

### **Type GTIN / Deposit item GTIN of empties**

#### Examples

(only available in German language)

**Einführung**

Typnummer	Kurzbezeichnung	Pfandartikelnummer	Mehrweg-Eigentümer bzw. Miteigentümer
40 23330 10007 9	BR 0,5/20	41 00130 01972 2	Brauerei Beck & Co
		40 08287 00949 1	Krombacher Brauerei
40 23330 10008 6	BR 0,33/24	41 00130 01973 9	Brauerei Beck & Co
		40 08287 00959 0	Krombacher Brauerei
40 23330 10009 3	BR 0,33/30	41 00130 01974 6	Brauerei Beck & Co
40 23330 10010 9	WK PET 1,0/12 GG	40 01513 09315 8	Gerolsteiner Gruppe
40 23330 10011 6	WK PET 1,0/12 GDB 13,4 DM	40 01513 09310 3	Gerolsteiner Gruppe
	WK PET 1,0/12 GDB 6,6 DM	40 01513 09320 2	Gerolsteiner Gruppe
40 23330 10013 0	WK 0,25/24	40 01513 09302 8	Gerolsteiner Gruppe
40 23330 10014 7	WK 0,5/15	40 01513 09303 5	Gerolsteiner Gruppe
40 23330 10015 4	WK 0,75/12	40 01513 09304 2	Gerolsteiner Gruppe
40 23330 10017 8	WR PET 1,0/12 GG	40 01513 09115 4	Gerolsteiner Gruppe
40 23330 10024 6	FL 0,3 DM	40 01513 09215 1	Gerolsteiner Gruppe
		40 01513 09202 1	Gerolsteiner Gruppe
40 23330 10025 3	FL 0,5 DM	40 01513 09203 8	Gerolsteiner Gruppe
		40 01513 09204 5	Gerolsteiner Gruppe
40 23330 10026 0	FL 0,7 DM	40 01513 09210 6	Gerolsteiner Gruppe
40 23330 10037 6	FI 0,15 DM	40 08287 00938 5	Krombacher Brauerei
		41 00130 01956 2	Brauerei Beck & Co
		40 08287 00948 4	Krombacher Brauerei
		41 00130 01958 6	Brauerei Beck & Co
		40 08287 00958 3	Krombacher Brauerei
		41 00130 01959 3	Brauerei Beck & Co
		40 08287 00968 2	Krombacher Brauerei
		41 00130 01957 9	Brauerei Beck & Co
		40 08287 00978 1	Krombacher Brauerei

## Explanation of abbreviated designation

BK = Beer crate (crate incl. bottles)

BR = Beer crate (crate without bottles)

WK = Water crate (crate incl. bottles)



## Einführung

---

WR = Water frame (crate without bottles)

FL = bottle

### General explanations

The above-mentioned preliminary type numbers will initially be assigned only for pilot applications of the ECR Beverage Circle/International Council for RTI. They are based on the type criteria currently being developed (deposit amount and stackability).

## REFERENCES IN THE PRESS SECTOR

### Special features for PRESS INVOIC

#### Components of the press accounting

The press invoice consists of the collective invoices and proofs of delivery contained in the transmission file. If agreed accordingly, a collective invoice in paper form is added, which refers to the transmission file. For information purposes, in cases where this has been agreed, invoice list totals are transmitted in the transmission file which summarize all collective invoices of an invoicing party contained in the transmission file which are sent to an invoice list recipient. For the purpose of invoice verification, the stores supplied shall receive a paper list, also for information purposes only, of all debits and credits for the previous week.

#### Structure of the press accounting

Proofs of delivery are generated for all deliveries, subsequent deliveries, corrections, returns and other business transactions.

In the collective invoice, all invoice items of a week (deliveries, subsequent deliveries, corrections, returns, other invoice items) are balanced on an item-specific basis (e.g. deliveries of a week + subsequent deliveries of a week - delivery reports of a week - returns of a week = total quantity x price = invoice item), irrespective of the document type and the sequence on a GTIN basis (= 13-digit main code).

The net invoice amounts and tax amounts shown in the collective invoices of a week are summarized in an invoice list total for each invoice list recipient, if agreed accordingly. The invoice list total is only transmitted for information purposes.

If a collective invoice is created, the invoice charges and tax amounts for the sales of a transmission period (week) will be summarized in this collective invoice. In the collective invoice, reference is made to the transmission file containing the collective invoices and the proofs of delivery.

#### Invoice details

If no collective invoice is created or if a collective invoice is created but the invoice details required by Section 14 (4) UStG are not included in the collective invoice, the invoice details required by Section 14 (4) UStG are included in the collective invoices and the proofs of delivery.

The listed parties are identified with GLN (International Location Numbers), which are part of the



## Einführung

---

master data of the parties. The addresses for the numbers, which have been assigned by GS1 Germany, can be found at [www.gepir.de](http://www.gepir.de).

The collective invoices contain the indication of the delivery/settlement period. The delivery date for the individual deliveries and subsequent deliveries results from the proof of delivery.

The remuneration owed results from the collective invoices and the - if issued - collective invoice.

### Components of the EDI recommendations for press products

The structure of the collective invoice - if created - is explained in the EDI recommendation of GS1 Germany for press products, collective invoice (summary invoice), in connection with EANCOM® 2002 S3, INVOIC.

The structure of the transmission file is explained in the EDI recommendation of GS1 Germany for press products, service segments (transmission file), in EANCOM® 2002 S3.

The structure of the collective invoices is explained in the EDI recommendation of GS1 Germany for press products, invoice/credit note (INVOIC), in EANCOM® 2002 S3.

The structure of the proof of delivery is explained in the EDI recommendation of GS1 Germany for press products, proof of delivery ((Proforma)INVOIC), in EANCOM® 2002 S3.

The structure of the invoice list totals transmitted by message - if created - is explained in the EDI recommendation of GS1 Germany for press products, invoice list total (INVOIC), in EANCOM® 2002 S3.

### Definitions

In all EDI recommendations, the terms delivery address, buyer, invoice recipient, and invoice list recipient are used.

#### Delivery address

The delivery address is the address to which goods are delivered. This can be a branch of a chain store or a legally independent company, which is then also the buyer/service recipient.

#### Buyer

The buyer means the recipient of the service in the VAT sense.

#### Invoice recipient and invoice list recipient

The invoice recipient and invoice list recipient are identical. The invoice (list) recipient is either the buyer or a company that has been commissioned by the buyer with the receipt/regulation of the invoices. In the SG2-NAD+BY segment of the collective invoice and the proof of delivery, the identification of the buyer is indicated in the DE3039 field with the designation "Identification of the buyer/invoice recipient". If, for example, the buyer has commissioned a central payer to settle the invoices, the identification of the central payer is also specified in segment SG2-NAD+IV of the collective invoice and the proof of delivery in field DE3039 with the designation "Identification of the invoice recipient".

### Special features of the press proof of delivery

Initiating documents of press invoice occur on a daily basis and are converted as proforma invoices.

## Einführung

---

The current date is the delivery date. Invoicing and generation of data records is done once a week.

Deliveries and returns are detailed in the proforma invoice, the invoice/credit note only contains balances per EAN. The proforma invoices are invoiced on a daily basis with prices. For that reason rounding differences are possible in comparison to the line- and document level of the collective invoice/credit note. The requested money is indicated in the weekly invoice and is not always exactly the sum of the proforma invoices. The invoice only details the period of delivery and settlement. The concrete delivery date is only available in the proforma invoice. If the receiver disclaims the proforma invoices, these details are not comprehensible.

BGM DE 1004 contains an ascending document number. If delivery notes are invoiced RFF+DQ..., DE 1154 contains their document number. In other cases this data element indicates an information about the source process (REMI = remission, KORR = adjustment, SONS = not further detailed process, COUP = coupon or VERS = insurance).

The type of document is coded in RFF+DM..., DE 1154. This data element contains one of the following entries:

PG001 = delivery  
PG002 = subsequent delivery  
PG003 = remission  
PG004 = adjustment for delivery  
PG005 = adjustment for subsequent delivery  
PG006 = adjustment for remission  
PG007 = others  
PG008 = coupons  
PG009 = insurance

The detail section of the proforma invoice indicates explaining texts for the reasons PG003 to PG009 and if available the number of a paper document sent to an outlet.

All invoiced goods are consumer units. The subline level is not used.

Due to German tax requirements information relating the settlement of press products can be found in the German version of the recommendation.

### Accompanying documents

Special brochure: Beschreibung der Darstellung von Spenden in der EANCOM® INVOIC

Special brochure: Beschreibung der Darstellung von Münzgeld (Zigaretten-Automatenpackungen) in der EANCOM® INVOIC

### Definitions

Within the EDI recommendations the following terms are in use:

#### Delivery note (Lieferschein)

The delivery note is a list with type and quantity of goods delivered to a plant location. The paper document is handed over at the place of goods receipt together with the products.

## Einführung

---

### Proforma invoice (Liefernachweis)

(Electronic) document to the same destination (retailers head office) as the invoice with the content of the delivery note (including or exclusive prices, but WITHOUT VAT amounts).

### Consolidation of proforma invoices (Sammelrechnung)

On line level accumulated invoice to merge delivery notes/proforma invoices.

### Collective settlement (Sammelabrechnung, Zusammenfassende Rechnung)

Note: By change of the German §14 UStG (Value Added Tax Act) this printed document is no more relevant for tax purposes in Germany.

### Total invoice (Summenrechnung)

At line level of the invoice references to other documents are provided which refer to products and/or services.

### Invoice register (Rechnungsliste)

Paper document to sum up invoices of one invoicing period and containing control amounts. If this document is requested for organisational purposes, it must be agreed on a bilaterally basis.

**Business Terms**

<b>Business Term</b>	<b>EANCOM-Segment</b>		<b>Data Element</b>	
	Seg.-No.	Segment SG	DEG	DE
Acknowledgement request	2	UNB		0031
Address for reverse routing	2	UNB	S002	0008
Agreement date	26	DTM SG1#12	C507	2380
Agreement number	25	RFF SG1#12	C506	1154
Allocation allowance/charge:VAT rate	84	TAX SG16#1\SG22#1	C241	5153
Allowance amount (Display content, invoiced)	178	MOA SG26#4\SG39#1\SG42#1	C516	5004
Allowance amount (line level)	132	MOA SG26#1\SG39#1\SG42#1	C516	5004
Allowance or charge quantity	79	QTY SG16#1\SG18#1	C186	6060
Allowance or charge rate	83	RTE SG16#1\SG21#1	C128	5420
Allowance/charge rate (Display content, invoiced)	180	RTE SG26#4\SG39#1\SG43#1	C128	5420
Allowance/charge rate (line level)	134	RTE SG26#1\SG39#1\SG43#1	C128	5420
Application reference	2	UNB		0026
Article group code	87	PIA SG26#1	C212	7140
Article group code (Display content)	142	PIA SG26#3	C212	7140
Article group code (Display content, invoiced)	155	PIA SG26#4	C212	7140
Article long description	91	IMD SG26#1	C273	7008
Article long description (Display content)	149	IMD SG26#3	C273	7008
Article long description (Display content, invoiced)	163	IMD SG26#4	C273	7008
Article weight (Display content, invoiced)	164	MEA SG26#4	C174	6314
Articles promotional variant	88	PIA SG26#1	C212	7140
Articles promotional variant (Display content)	143	PIA SG26#3	C212	7140
Articles promotional variant (Display content, invoiced)	156	PIA SG26#4	C212	7140
Basis amount allowance/charge (Display content, invoiced)	179	MOA SG26#4\SG39#1\SG42#2	C516	5004
Basis amount allowance/charge (document level)	81	MOA SG16#1\SG20#1	C516	5004
Basis amount allowance/charge (line level)	133	MOA SG26#1\SG39#1\SG42#2	C516	5004
Basis for discount quantity	130	QTY SG26#1\SG39#1\SG40#1	C186	6060
Basis for discount quantity (Display content, invoiced)	176	QTY SG26#4\SG39#1\SG40#1	C186	6060
Batch number	88	PIA SG26#1	C212	7140
Batch number (Display content)	143	PIA SG26#3	C212	7140

**Business Terms**

<b>Business Term</b>	<b>EANCOM-Segment</b>		<b>Data Element</b>	
	Seg.-No.	Segment SG	DEG	DE
Batch number (Display content, invoiced)	156 PIA	SG26#4	C212	7140
Buyer's part number (Display content)	142 PIA	SG26#3	C212	7140
Buyer's part number (Display content, invoiced)	155 PIA	SG26#4	C212	7140
Buyers (VA)Tax registration number	44 RFF	SG2#1\SG3#3	C506	1154
Buyers additional identification	43 RFF	SG2#1\SG3#2	C506	1154
Buyers internal article number	87 PIA	SG26#1	C212	7140
Buyers internal identification in suppliers system	42 RFF	SG2#1\SG3#1	C506	1154
Buyers order number	16 RFF	SG1#1	C506	1154
Character set	2 UNB		S001	0001
Colour	98 IMD	SG26#1	C273	7008
Colour, identifier	98 IMD	SG26#1	C273	7009
Comercial dispute date	30 DTM	SG1#14	C507	2380
Component data element separator	1 UNA			UNA1
Consumer unit	137 IMD	SG26#2	C273	7009
Consumer unit (assortment)	146 IMD	SG26#3	C273	7009
Consumer unit (Display content, invoiced)	160 IMD	SG26#4	C273	7009
Consumer unit, invoiced	93 IMD	SG26#1	C273	7009
Consumers order number	35 RFF	SG1#17	C506	1154
Consumers order number (line)	121 RFF	SG26#1\SG30#4	C506	1154
Consumers order number reference date (line)	122 DTM	SG26#1\SG30#4	C507	2380
Contact person delivery party	52 CTA	SG2#3\SG5#1	C056	3412
Contact person pick up place	55 CTA	SG2#4\SG5#1	C056	3412
Country of origin	13 ALI			3239
Country of receiver, coded	49 NAD	SG2#3		3207
Creation date	5 DTM		C507	2380
Currency	69 CUX	SG7#1	C504	6345
Customers returns number	31 RFF	SG1#15	C506	1154
Data element separator	1 UNA			UNA2
Date of delivery note	21 DTM	SG1#3	C507	2380
Date of delivery note (line level)	116 DTM	SG26#1\SG30#1	C507	2380
Date of referencing document	34 DTM	SG1#16	C507	2380
Date of return document	38 DTM	SG1#19	C507	2380
Date of returns document	32 DTM	SG1#15	C507	2380
Date of source document	28 DTM	SG1#13	C507	2380
Decimal notation	1 UNA			UNA3
Delivery date	6 DTM		C507	2380
Delivery note	20 RFF	SG1#3	C506	1154

**Business Terms**

<b>Business Term</b>	<b>EANCOM-Segment</b>		<b>Data Element</b>	
	Seg.-No.	Segment SG	DEG	DE
Delivery note (Line)	115	RFF SG26#1\SG30#1	C506	1154
Delivery note line	115	RFF SG26#1\SG30#1	C506	1156
Delivery party additional identification	50	RFF SG2#3\SG3#1	C506	1154
Delivery party identification	49	NAD SG2#3	C082	3039
Despatch advice (Line)	117	RFF SG26#1\SG30#2	C506	1154
Despatch advice line	117	RFF SG26#1\SG30#2	C506	1156
Despatch advice reference date (line)	118	DTM SG26#1\SG30#2	C507	2380
Discount amount (document)	82	MOA SG16#1\SG20#2	C516	5004
Display	94	IMD SG26#1	C273	7009
Distributor of goods	66	NAD SG2#9	C082	3039
Distributors additional identification	67	RFF SG2#9\SG3#1	C506	1154
Document Number	4	BGM	C106	1004
Document qualification	4	BGM	C002	1000
Due date without deduction	71	DTM SG8#1	C507	2380
EANCOM	2	UNB		0032
ECO controlling agency	40	RFF SG1#21	C506	1154
ECO controlling agency (article)	125	RFF SG26#1\SG30#6	C506	1154
End of the transmission file, Number of messages or message groups	191	UNZ		0036
File creation date	2	UNB	S004	0017
File creation time	2	UNB	S004	0019
Free goods quantity	104	QTY SG26#1	C186	6060
Free goods quantity (Display content, invoiced)	166	QTY SG26#4	C186	6060
Free text	15	FTX	C108	4440
Free text (line level)	106	FTX SG26#1	C108	4440
GLN of the ultimate consignee	56	NAD SG2#5	C082	3039
Goods receiving place	52	CTA SG2#3\SG5#1		3139
GPC - Attribute type	90	PIA SG26#1	C212	7140
GPC - Attribute type	145	PIA SG26#3	C212	7140
GPC - Attribute type	158	PIA SG26#4	C212	7140
GPC - Attribute value	90	PIA SG26#1	C212	7140
GPC - Attribute value	145	PIA SG26#3	C212	7140
GPC - Attribute value	158	PIA SG26#4	C212	7140
GPC - GS1 Global Product Classification	89	PIA SG26#1	C212	7140
GPC - GS1 Global Product Classification	144	PIA SG26#3	C212	7140

**Business Terms**

<b>Business Term</b>	<b>EANCOM-Segment</b>		<b>Data Element</b>	
	Seg.-No.	Segment SG	DEG	DE
GPC - GS1 Global Product Classification	157 PIA	SG26#4	C212	7140
Grade of fruit/vegetables	95 IMD	SG26#1	C273	7008
Grade of fruit/vegetables, identifier	95 IMD	SG26#1	C273	7009
GTIN- Article identification	85 LIN	SG26#1	C212	7140
GTIN- Article identifikation (Consumer unit)	135 LIN	SG26#2	C212	7140
GTIN- Article identifikation (Display content)	140 LIN	SG26#3	C212	7140
GTIN- Article identifikation (Display content, invoiced)	153 LIN	SG26#4	C212	7140
Harmonised system	88 PIA	SG26#1	C212	7140
Harmonised system (Display content)	143 PIA	SG26#3	C212	7140
Harmonised system (Display content, invoiced)	156 PIA	SG26#4	C212	7140
Identification of buyer/invoicee	41 NAD	SG2#1	C082	3039
Identification of invoicee	45 NAD	SG2#2	C082	3039
Indentification of the receiver of the transmission file	2 UNB		S003	0010
Indentification of the sender of the transmission file	2 UNB		S002	0004
Interchange control reference, beginnig	2 UNB			0020
Interchange control reference, end	191 UNZ			0020
Internal customer number of suppliers system	51 RFF	SG2#3\SG3#2	C506	1154
Invoice date	24 DTM	SG1#10	C507	2380
Invoice number	23 RFF	SG1#10	C506	1154
Invoice total line items amount per tax rate	187 MOA	SG52#1	C516	5004
Invoiced unit (Display content, invoiced)	159 IMD	SG26#4	C273	7009
Invoicees (VA)Tax registration number	48 RFF	SG2#2\SG3#3	C506	1154
Invoicees additional identification	47 RFF	SG2#2\SG3#2	C506	1154
Invoicees internal identification in suppliers system	46 RFF	SG2#2\SG3#1	C506	1154
Invoicing period	10 DTM		C507	2380
Invoicing unit	92 IMD	SG26#1	C273	7009
Line item amount	107 MOA	SG26#1\SG27#2	C516	5004
Line item amount (Display content, invoiced)	168 MOA	SG26#4\SG27#1	C516	5004
Line level: Total charges/allowances	108 MOA	SG26#1\SG27#3	C516	5004



**Business Terms**

<b>Business Term</b>	<b>EANCOM-Segment</b>		<b>Data Element</b>	
	Seg.-No.	Segment SG	DEG	DE
Main part of detail section	85	LIN SG26#1		1082
Message function	4	BGM		1225
Message reference number	3	UNH		0062
Monetary value of early payment allowance	75	MOA SG8#2	C516	5004
Name 1 of the receiver	49	NAD SG2#3	C080	3036
Name 1 of the ultimate cosignee	56	NAD SG2#5	C080	3036
Name 2 of the receiver	49	NAD SG2#3	C080	3036
Name 2 of the ultimate consignee	56	NAD SG2#5	C080	3036
Name 3 of the receiver	49	NAD SG2#3	C080	3036
Name 3 of the ultimate consignee	56	NAD SG2#5	C080	3036
Net weight fruit/vegetables	127	MEA SG26#1\SG31#1	C174	6314
Not subject to discount	12	ALI		4183
Not subject to discount (Display content, invoiced)	167	ALI SG26#4		4183
Not subject to discount (line level)	105	ALI SG26#1		4183
Number of comercial dispute	29	RFF SG1#14	C506	1154
Number of consumer units	139	QTY SG26#2	C186	6060
Number of packages	126	PAC SG26#1\SG31#1		7224
Number of packages (Display content)	151	PAC SG26#3\SG31#1		7224
Number of packages (Display content, invoiced)	173	PAC SG26#4\SG31#1		7224
Number of waste type	88	PIA SG26#1	C212	7140
One way empties (deposit)	100	IMD SG26#1	C273	7009
One way empties (deposit)	148	IMD SG26#3	C273	7009
One way empties (deposit)	162	IMD SG26#4	C273	7009
Order line number	119	RFF SG26#1\SG30#3	C506	1156
Order number (Line)	119	RFF SG26#1\SG30#3	C506	1154
Order response date	19	DTM SG1#2	C507	2380
Ordering date	17	DTM SG1#1	C507	2380
Password interchange	2	UNB	S005	0022
Payees (VA)Tax registration number	65	RFF SG2#8\SG3#2	C506	1154
Payees additional identification	64	RFF SG2#8\SG3#1	C506	1154
Payees identification	63	NAD SG2#8	C082	3039
Payment terms 1	70	PAT SG8#1		4279
Payment terms 1	72	PAT SG8#2		4279
Payment terms 2	76	PAT SG8#3		4279
Percentage allowance/charge (Display content, invoiced)	177	PCD SG26#4\SG39#1\SG41#1	C501	5482

**Business Terms**

<b>Business Term</b>	<b>EANCOM-Segment</b>		<b>Data Element</b>	
	Seg.-No.	Segment	SG	DEG DE
Percentage allowance/charge (line level)	131	PCD	SG26#1\SG39#1\SG41#1	C501 5482
Percentage discount (document)	80	PCD	SG16#1\SG19#1	C501 5482
Pick up place additional identification	54	RFF	SG2#4\SG3#1	C506 1154
Pick up place city/town	53	NAD	SG2#4	3164
Pick up place identification	53	NAD	SG2#4	C082 3039
Pick up place Name 1	53	NAD	SG2#4	C080 3036
Pick up place Name 2	53	NAD	SG2#4	C080 3036
Pick up place Name 3	53	NAD	SG2#4	C080 3036
Pick up place postal code	53	NAD	SG2#4	3251
Pick up place street	53	NAD	SG2#4	C059 3042
Pick-up date	7	DTM		C507 2380
Place of receiver - name of a city (town, village) for addressing purposes.	49	NAD	SG2#3	3164
Place of ultimate consignee - name of a city (town, village) for addressing purposes.	56	NAD	SG2#5	3164
Postcode of receiver	49	NAD	SG2#3	3251
Postcode of ultimate consignee	56	NAD	SG2#5	3251
Price without (tobacco) tax	114	PRI	SG26#1\SG29#4	C509 5118
Production date	9	DTM		C507 2380
Proforma invoice total line items amount	183	MOA	SG50#2	C516 5004
Purchasing contact department	52	CTA	SG2#3\SG5#1	C056 3413
Quality class (fruit/vegetables)	96	IMD	SG26#1	C273 7008
Quality class (fruit/vegetables), identifier	96	IMD	SG26#1	C273 7009
Quantity content display(s)	150	QTY	SG26#3	C186 6060
Quantity content display(s)	165	QTY	SG26#4	C186 6060
Quantity delivered	103	QTY	SG26#1	C186 6060
Quantity invoiced	102	QTY	SG26#1	C186 6060
Rate of early payment allowance	74	PCD	SG8#2	C501 5482
Rate of exchange	69	CUX	SG7#1	5402
Receiving advice	22	RFF	SG1#9	C506 1154
Reference date	120	DTM	SG26#1\SG30#3	C507 2380
Referencing Document	33	RFF	SG1#16	C506 1154
Release character	1	UNA		UNA4
Reserved for future use	1	UNA		UNA5
Retail price	113	PRI	SG26#1\SG29#3	C509 5118
Retail price (Display content, invoiced)	172	PRI	SG26#4\SG29#3	C509 5118
Returns notice number	37	RFF	SG1#19	C506 1154

**Business Terms**

<b>Business Term</b>	<b>EANCOM-Segment</b>		<b>Data Element</b>	
	Seg.-No.	Segment SG	DEG	DE
Reusable empties (deposit)	99	IMD SG26#1	C273	7009
Reusable empties (deposit)	147	IMD SG26#3	C273	7009
Reusable empties (deposit)	161	IMD SG26#4	C273	7009
Routing address	2	UNB	S003	0014
Sales agreement number	36	RFF SG1#18	C506	1154
Sales agreement number	123	RFF SG26#1\SG30#5	C506	1154
Sales agreement number reference date (line)	124	DTM SG26#1\SG30#5	C507	2380
Segment terminator	1	UNA		UNA6
Serial number	87	PIA SG26#1	C212	7140
Serial number (Display content)	142	PIA SG26#3	C212	7140
Serial number (Display content, invoiced)	155	PIA SG26#4	C212	7140
Settlement procedure	11	PAI	C534	4461
Shrinkage amount (fruit/vegetables)	109	MOA SG26#1\SG27#4	C516	5004
Single price per invoiced unit gross	112	PRI SG26#1\SG29#2	C509	5118
Single price per invoiced unit gross (Display content, invoiced)	171	PRI SG26#4\SG29#2	C509	5118
Single price per invoiced unit net	111	PRI SG26#1\SG29#1	C509	5118
Single price per invoiced unit net (Display content, invoiced)	170	PRI SG26#4\SG29#1	C509	5118
Size of fruit/vegetables or textiles	97	IMD SG26#1	C273	7008
Size, identifier	97	IMD SG26#1	C273	7009
Small unit retail price (Display content, tobacco)	172	PRI SG26#4\SG29#3	C509	5118
Small unit retail price (tobacco)	113	PRI SG26#1\SG29#3	C509	5118
Source document	27	RFF SG1#13	C506	1154
Statements on business letters	59	RFF SG2#6\SG3#1	C506	1154
Street and number of receiver	49	NAD SG2#3	C059	3042
Street of ultimate consignee	56	NAD SG2#5	C059	3042
Sub line to describe and invoice units included in assortment/display	153	LIN SG26#4		1082
Sub line to describe assortment/display. Listing of included units, invoicing of items provided at (main) line level.	140	LIN SG26#3		1082
Sub line to describe consumer unit	135	LIN SG26#2		1082
Supplier/issuer of invoice fiscal tax number	62	RFF SG2#6\SG3#4	C506	1154
Supplier/issuer of invoice identification	58	NAD SG2#6	C082	3039

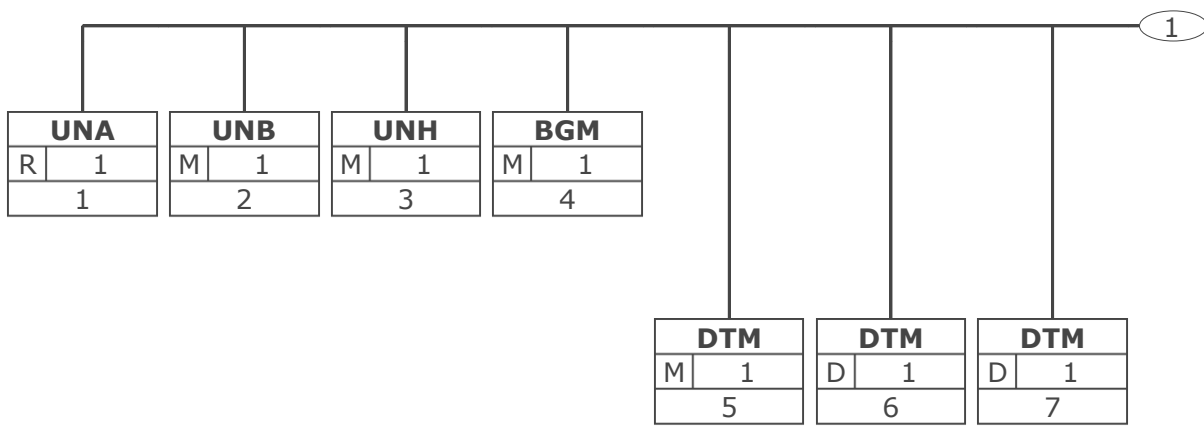
**Business Terms**

<b>Business Term</b>	<b>EANCOM-Segment</b>		<b>Data Element</b>	
	Seg.-No.	Segment SG	DEG	DE
Supplier/issuer of invoice VAT registration number	61 RFF	SG2#6\SG3#3	C506	1154
Suppliers acticle number	86 PIA	SG26#1	C212	7140
Suppliers acticle number (Consumer unit)	136 PIA	SG26#2	C212	7140
Suppliers acticle number (Display content)	141 PIA	SG26#3	C212	7140
Suppliers acticle number (Display content, invoiced)	154 PIA	SG26#4	C212	7140
Suppliers additional identification	60 RFF	SG2#6\SG3#2	C506	1154
Suppliers article number (Display content)	142 PIA	SG26#3	C212	7140
Suppliers article number (Display content, invoiced)	155 PIA	SG26#4	C212	7140
Suppliers internal article number	87 PIA	SG26#1	C212	7140
Suppliers purchase order response number	18 RFF	SG1#2	C506	1154
Supply direct to retail store	14 ALI			4183
Syntax version	2 UNB		S001	0002
Tax per invoice amount	186 TAX	SG52#1	C241	5153
Terms discount due date	73 DTM	SG8#2	C507	2380
Test indicator	2 UNB			0035
Total amount	182 MOA	SG50#1	C516	5004
Total charges/allowances	184 MOA	SG50#3	C516	5004
Total charges/allowances (Display content, invoiced)	169 MOA	SG26#4\SG27#2	C516	5004
Total charges/allowances per tax rate	188 MOA	SG52#1	C516	5004
Total number of segments	190 UNT			0074
Total retail value	185 MOA	SG50#4	C516	5004
Total retail value of the line item	110 MOA	SG26#1\SG27#5	C516	5004
Total retail value per VAT rate	189 MOA	SG52#1	C516	5004
Transport document number	39 RFF	SG1#20	C506	1154
Type of allowance or charge	78 ALC	SG16#1	C552	1230
Type of allowance or charge (line level)	129 ALC	SG26#1\SG39#1	C552	1230
Type of allowance/charge (Display content, invoiced)	175 ALC	SG26#4\SG39#1	C552	1230
Type of package	126 PAC	SG26#1\SG31#1	C202	7065
Type of package (Display content)	151 PAC	SG26#3\SG31#1	C202	7065
Type of package (Display content)	151 PAC	SG26#3\SG31#1	C202	7064
Type of package (Display content, invoiced)	173 PAC	SG26#4\SG31#1	C202	7065

**Business Terms**

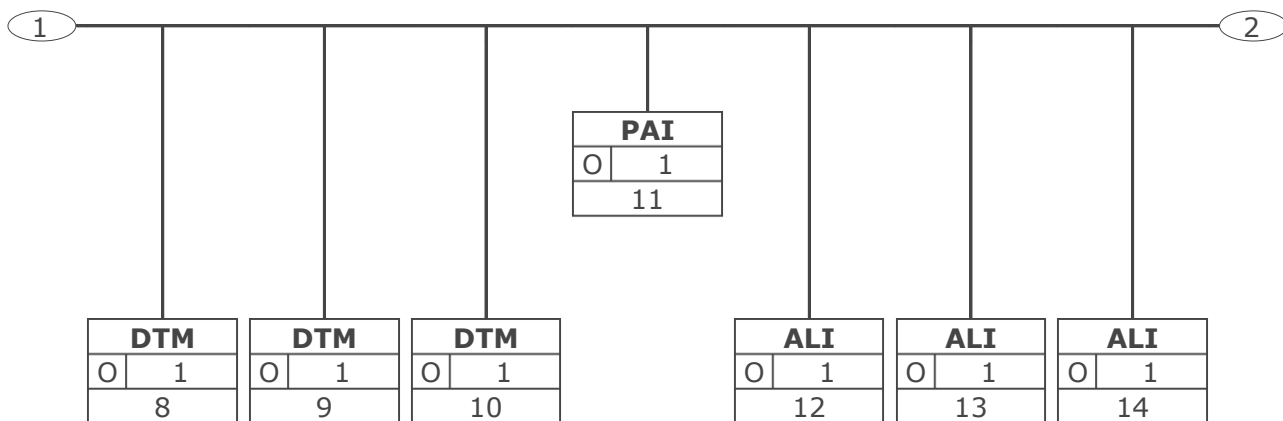
<b>Business Term</b>	<b>EANCOM-Segment</b>		<b>Data Element</b>	
	Seg.-No.	Segment SG	DEG	DE
Type of package (Display content, invoiced)	173 PAC	SG26#4\SG31#1	C202	7064
Type of package (e.g. fruit/vegetables)	126 PAC	SG26#1\SG31#1	C202	7064
Ultimate consignee additional identification	57 RFF	SG2#5\SG3#1	C506	1154
Unit price basis	111 PRI	SG26#1\SG29#1	C509	5284
Unit price basis	112 PRI	SG26#1\SG29#2	C509	5284
Unit price basis (Display content, invoiced)	170 PRI	SG26#4\SG29#1	C509	5284
Unit price basis (Display content, invoiced)	171 PRI	SG26#4\SG29#2	C509	5284
Unit price basis (Display content, invoiced)	172 PRI	SG26#4\SG29#3	C509	5284
Value added tax on document level	68 TAX	SG6#1	C241	5153
Value added tax on line level	128 TAX	SG26#1\SG34#1	C241	5153
Value date	77 DTM	SG8#3	C507	2380
VAT (Display content, invoiced)	174 TAX	SG26#4\SG34#1	C241	5153
VAT of display/assortment content	152 TAX	SG26#3\SG34#1	C241	5153
Warehouse contact	55 CTA	SG2#4\SG5#1	C056	3413
Weight of the article	101 MEA	SG26#1	C174	6314
Weight of the article (Consumer unit)	138 MEA	SG26#2	C174	6314
Withdrawal date	8 DTM		C507	2380

### Branching Diagram



Tag	Tag = Segment/Group Tag
St	MaxOcc St = Status (M=Mandatory, C=Conditional, R=Required, O=Optional, A=Advised, D=Dependent)
No	MaxOcc = Maximum occurrence of the segment/group; No = Consecutive segment number

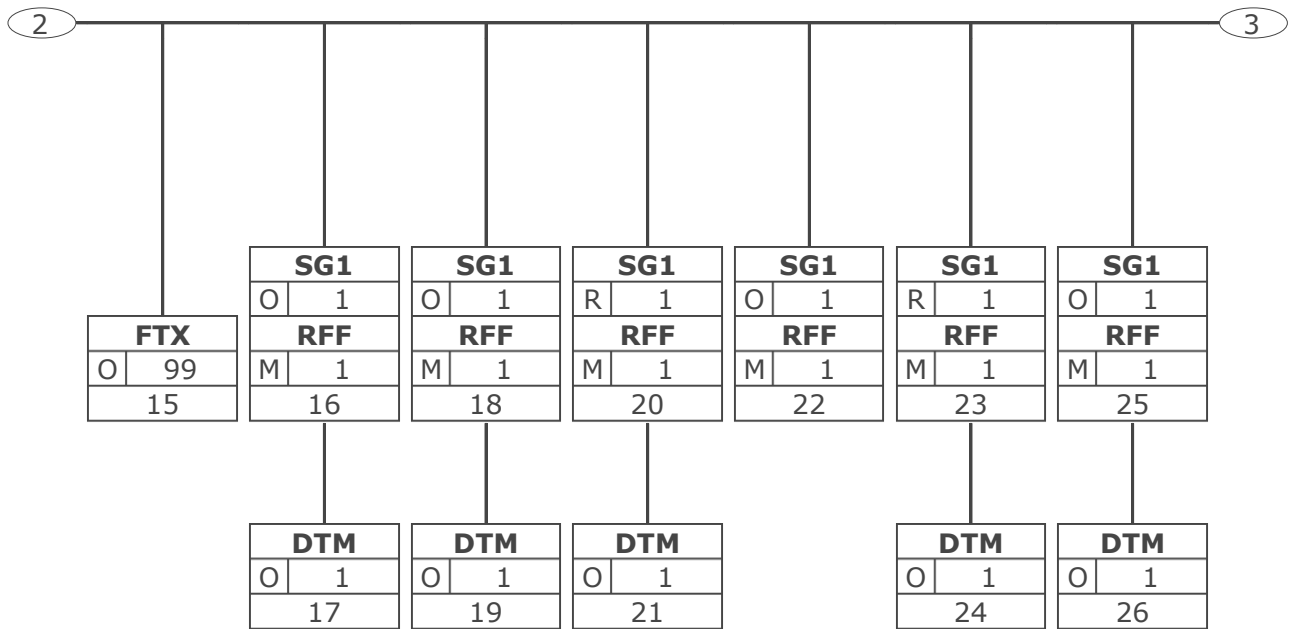
### Branching Diagram



Tag	Tag = Segment/Group Tag
St	MaxOcc St = Status (M=Mandatory, C=Conditional, R=Required, O=Optional, A=Advised, D=Dependent)
No	MaxOcc = Maximum occurrence of the segment/group; No = Consecutive segment number

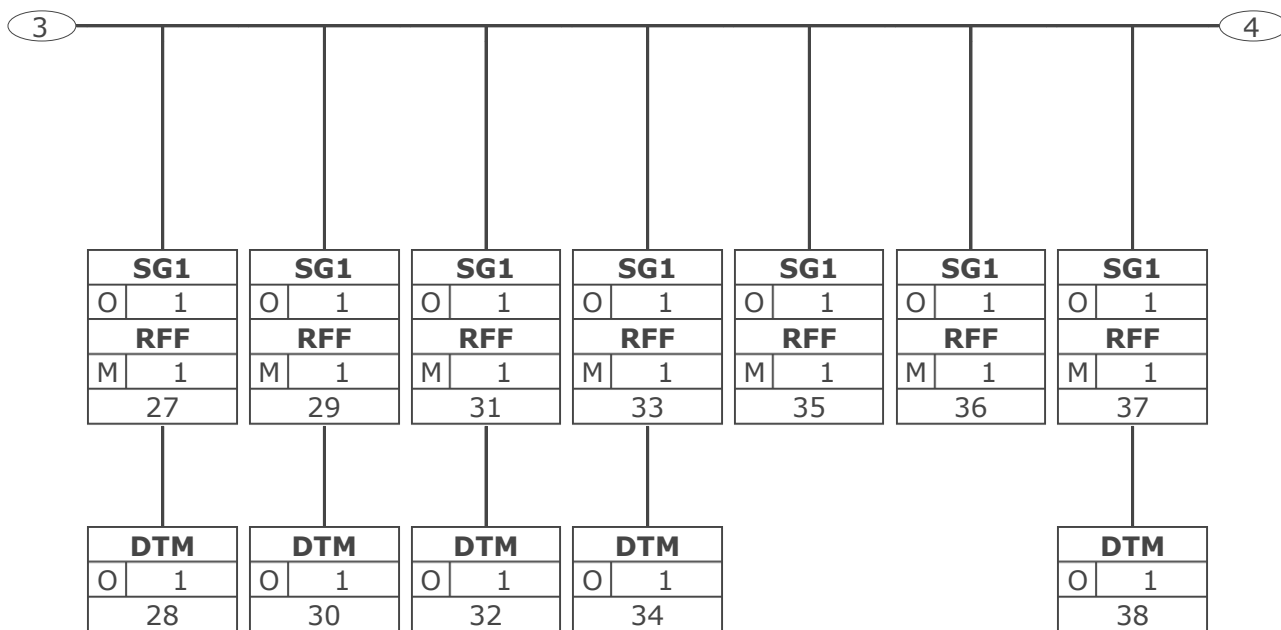


### Branching Diagram



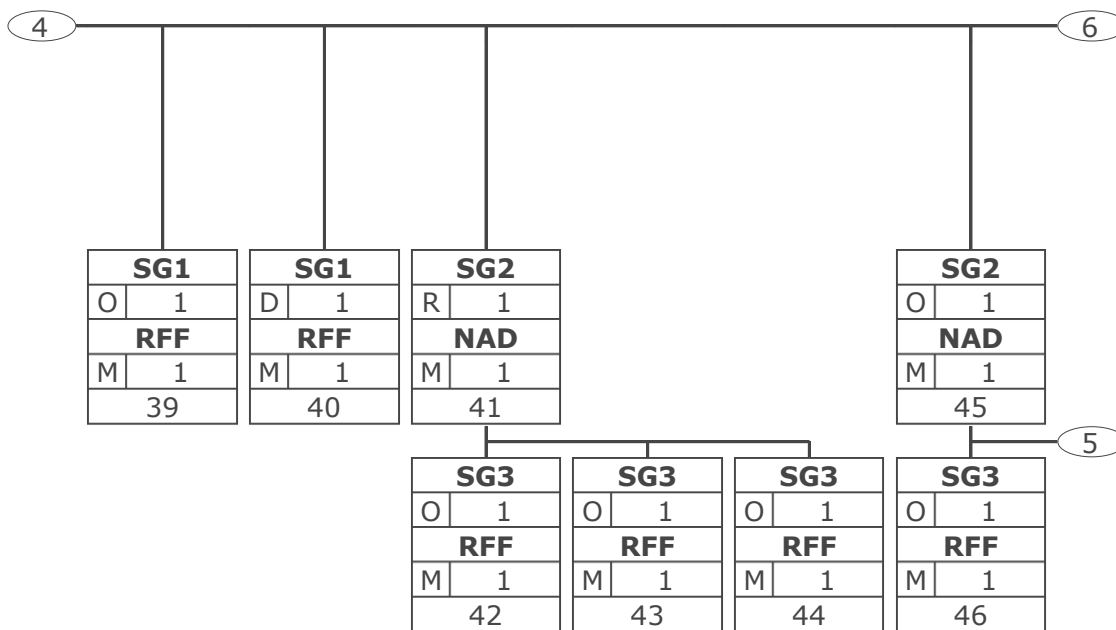
Tag	Tag = Segment/Group Tag
St   MaxOcc	St = Status (M=Mandatory, C=Conditional, R=Required, O=Optional, A=Advised, D=Dependent)
No	MaxOcc = Maximum occurrence of the segment/group; No = Consecutive segment number

### Branching Diagram



Tag	Tag = Segment/Group Tag
St   MaxOcc	St = Status (M=Mandatory, C=Conditional, R=Required, O=Optional, A=Advised, D=Dependent)
No	MaxOcc = Maximum occurrence of the segment/group; No = Consecutive segment number

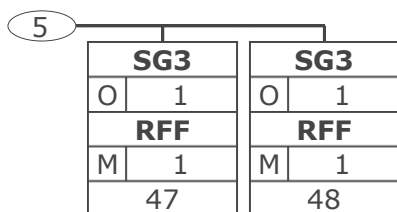
### Branching Diagram



Tag	Tag = Segment/Group Tag
St   MaxOcc	St = Status (M=Mandatory, C=Conditional, R=Required, O=Optional, A=Advised, D=Dependent)
No	MaxOcc = Maximum occurrence of the segment/group; No = Consecutive segment number

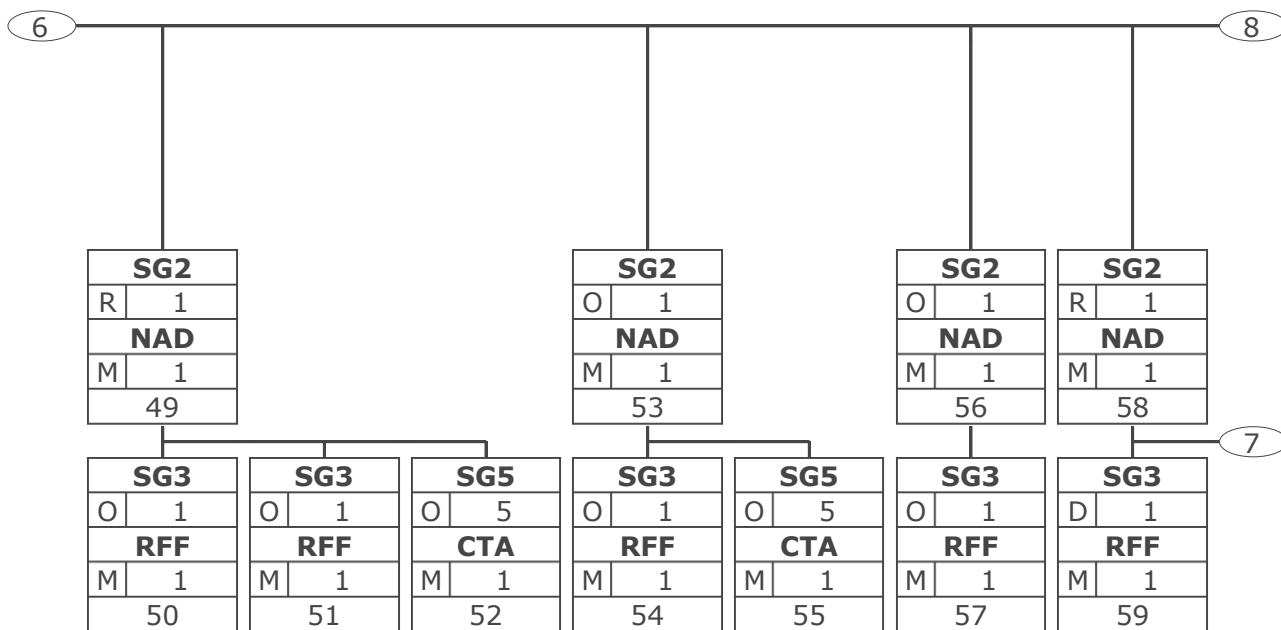
### Branching Diagram

---



Tag	Tag = Segment/Group Tag
St   MaxOcc	St = Status (M=Mandatory, C=Conditional, R=Required, O=Optional, A=Advised, D=Dependent)
No	MaxOcc = Maximum occurrence of the segment/group; No = Consecutive segment number

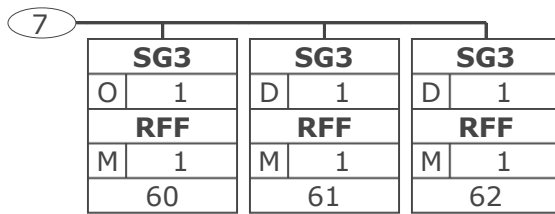
### Branching Diagram



Tag	Tag = Segment/Group Tag
St   MaxOcc	St = Status (M=Mandatory, C=Conditional, R=Required, O=Optional, A=Advised, D=Dependent)
No	MaxOcc = Maximum occurrence of the segment/group; No = Consecutive segment number

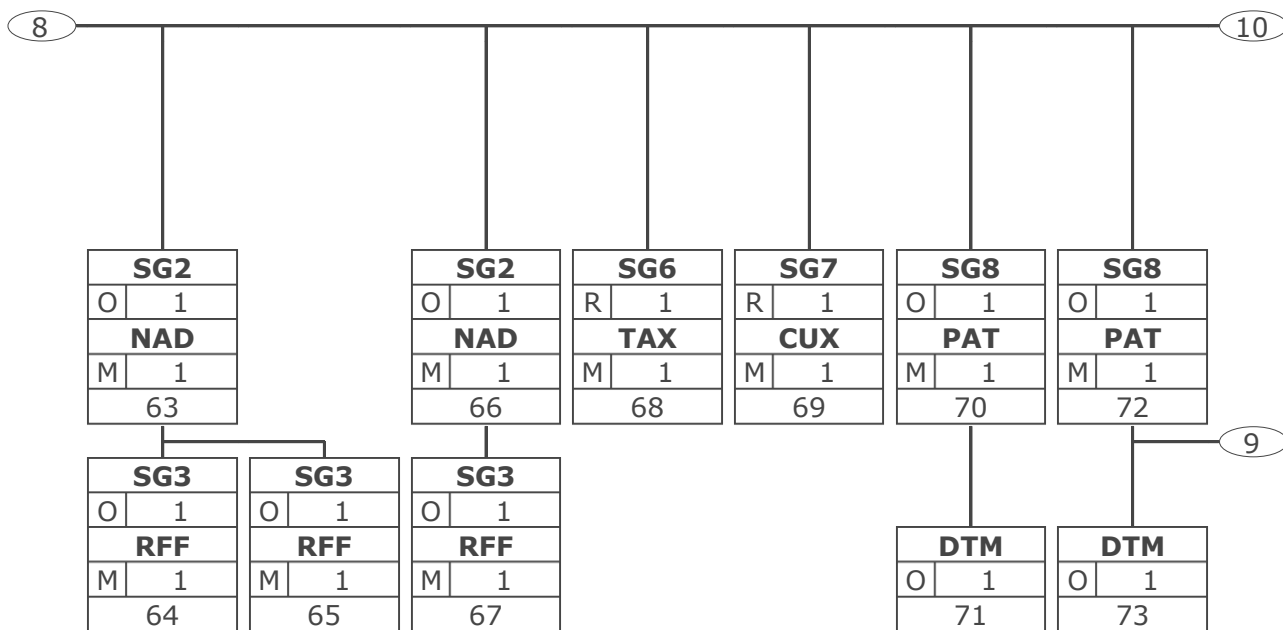
## Branching Diagram

---



Tag	Tag = Segment/Group Tag
St	St = Status (M=Mandatory, C=Conditional, R=Required, O=Optional, A=Advised, D=Dependent)
No	MaxOcc = Maximum occurrence of the segment/group; No = Consecutive segment number

### Branching Diagram

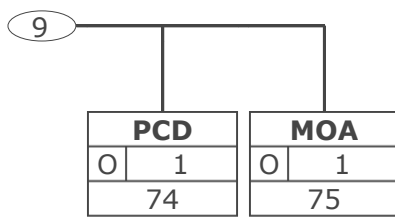


Tag	Tag = Segment/Group Tag
St   MaxOcc	St = Status (M=Mandatory, C=Conditional, R=Required, O=Optional, A=Advised, D=Dependent)
No	MaxOcc = Maximum occurrence of the segment/group; No = Consecutive segment number



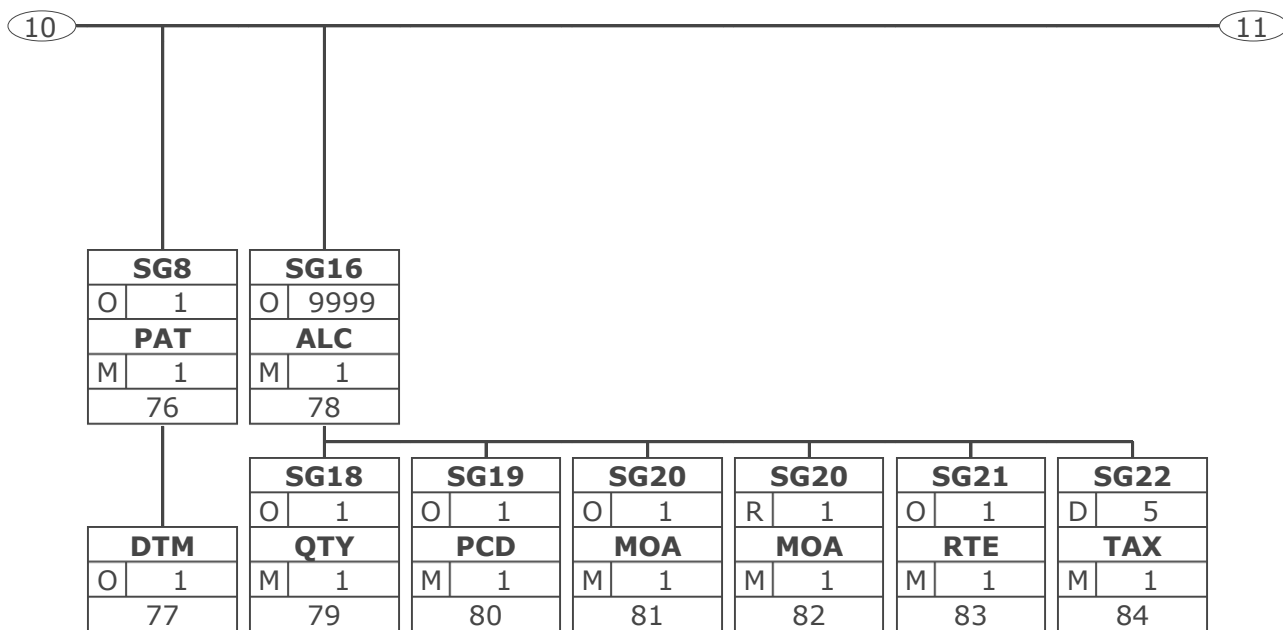
## Branching Diagram

---



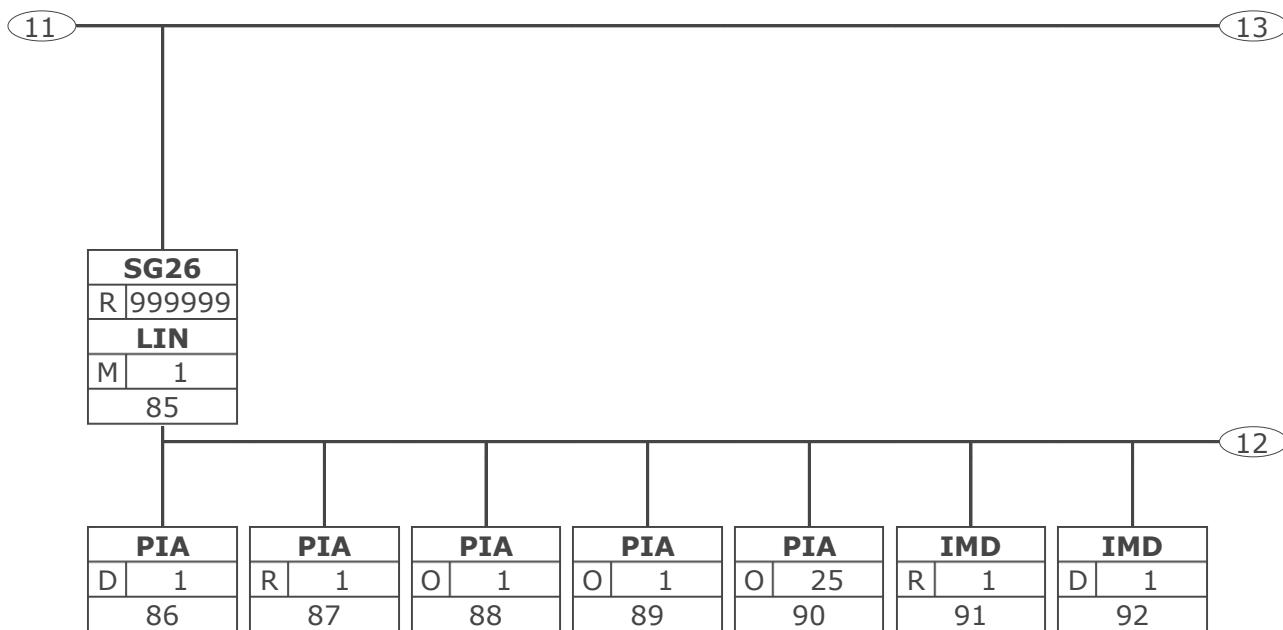
Tag	Tag = Segment/Group Tag
St	MaxOcc St = Status (M=Mandatory, C=Conditional, R=Required, O=Optional, A=Advised, D=Dependent)
No	MaxOcc = Maximum occurrence of the segment/group; No = Consecutive segment number

### Branching Diagram



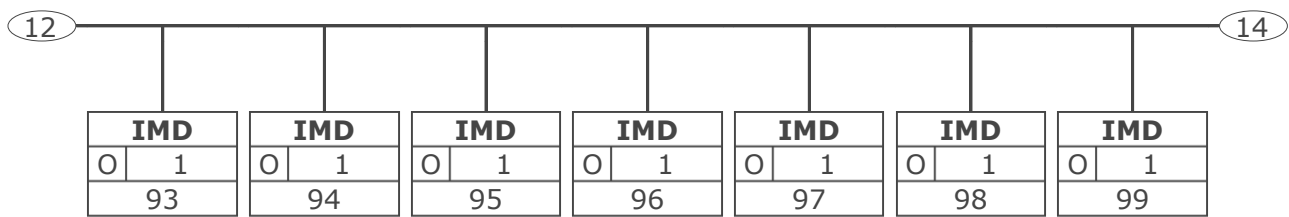
Tag	Tag = Segment/Group Tag
St   MaxOcc	St = Status (M=Mandatory, C=Conditional, R=Required, O=Optional, A=Advised, D=Dependent)
No	MaxOcc = Maximum occurrence of the segment/group; No = Consecutive segment number

### Branching Diagram



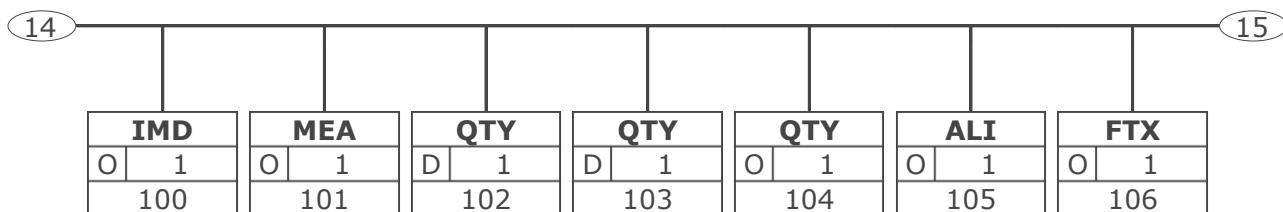
Tag	Tag = Segment/Group Tag
St   MaxOcc	St = Status (M=Mandatory, C=Conditional, R=Required, O=Optional, A=Advised, D=Dependent)
No	MaxOcc = Maximum occurrence of the segment/group; No = Consecutive segment number

### Branching Diagram



Tag	Tag = Segment/Group Tag
St   MaxOcc	St = Status (M=Mandatory, C=Conditional, R=Required, O=Optional, A=Advised, D=Dependent)
No	MaxOcc = Maximum occurrence of the segment/group; No = Consecutive segment number

### Branching Diagram



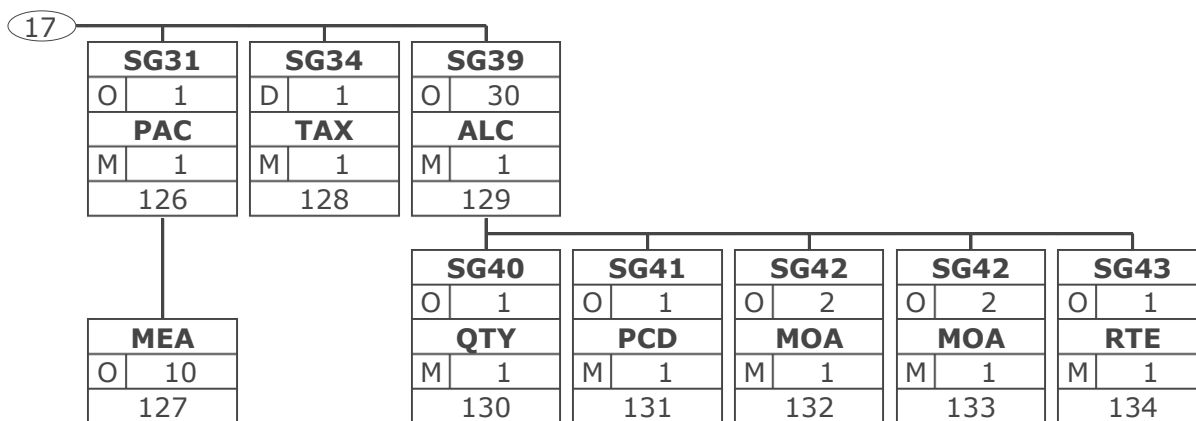
Tag	Tag = Segment/Group Tag
St   MaxOcc	St = Status (M=Mandatory, C=Conditional, R=Required, O=Optional, A=Advised, D=Dependent)
No	MaxOcc = Maximum occurrence of the segment/group; No = Consecutive segment number





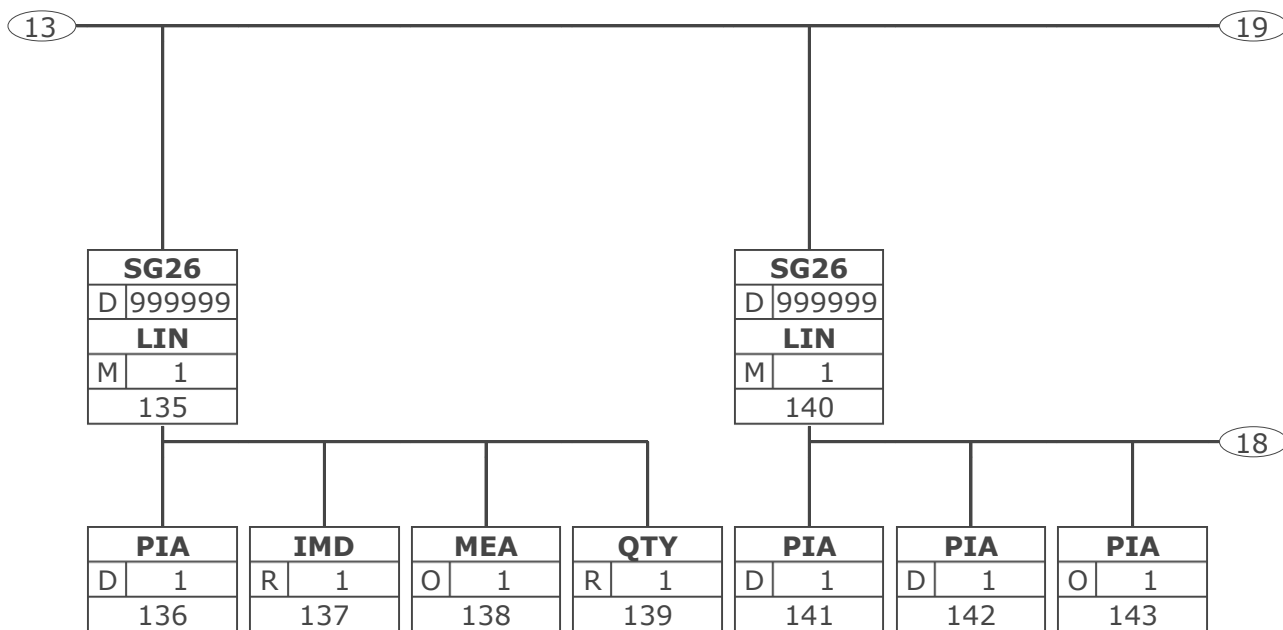


### Branching Diagram



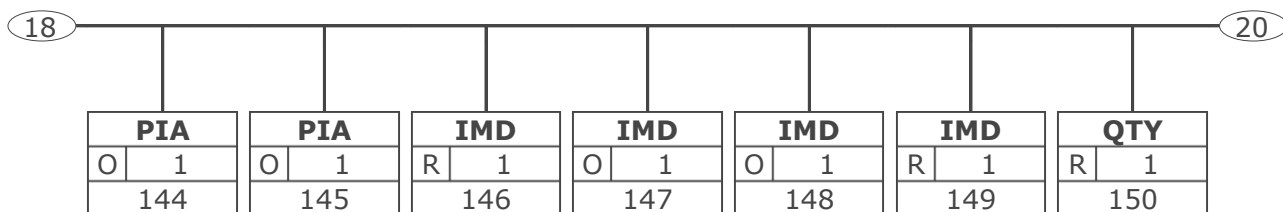
Tag	Tag = Segment/Group Tag
St	MaxOcc St = Status (M=Mandatory, C=Conditional, R=Required, O=Optional, A=Advised, D=Dependent)
No	MaxOcc = Maximum occurrence of the segment/group; No = Consecutive segment number

### Branching Diagram



Tag	Tag = Segment/Group Tag
St   MaxOcc	St = Status (M=Mandatory, C=Conditional, R=Required, O=Optional, A=Advised, D=Dependent)
No	MaxOcc = Maximum occurrence of the segment/group; No = Consecutive segment number

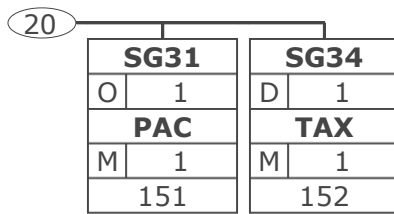
### Branching Diagram



Tag	Tag = Segment/Group Tag
St   MaxOcc	St = Status (M=Mandatory, C=Conditional, R=Required, O=Optional, A=Advised, D=Dependent)
No	MaxOcc = Maximum occurrence of the segment/group; No = Consecutive segment number

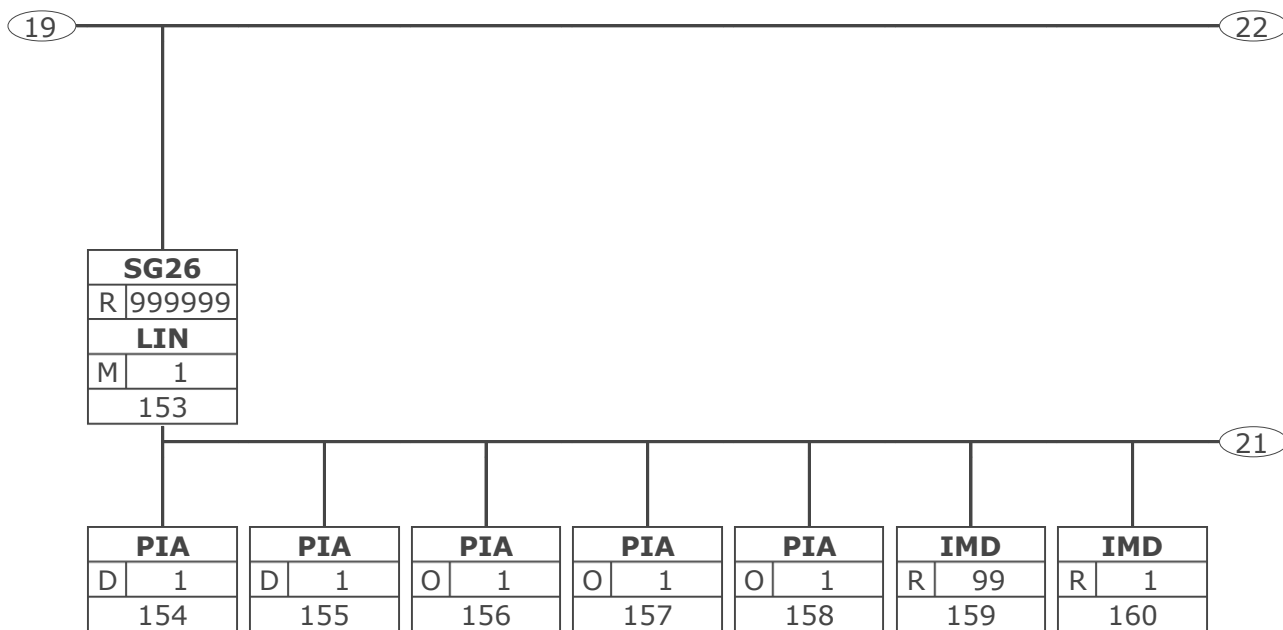
## Branching Diagram

---



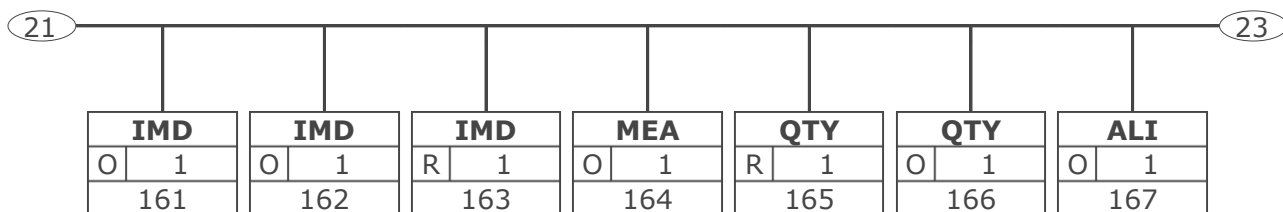
Tag	Tag = Segment/Group Tag
St   MaxOcc	St = Status (M=Mandatory, C=Conditional, R=Required, O=Optional, A=Advised, D=Dependent)
No	MaxOcc = Maximum occurrence of the segment/group; No = Consecutive segment number

### Branching Diagram



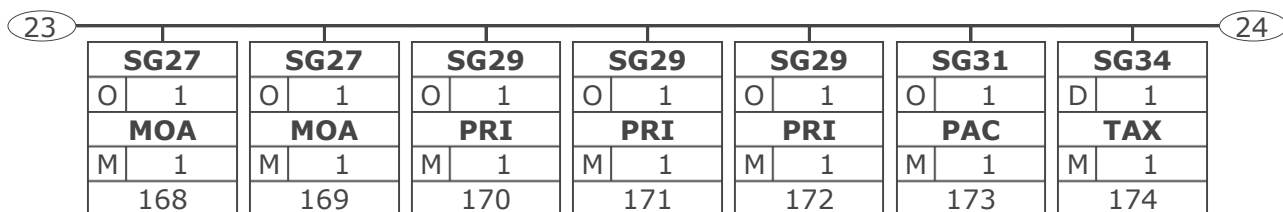
Tag	Tag = Segment/Group Tag
St   MaxOcc	St = Status (M=Mandatory, C=Conditional, R=Required, O=Optional, A=Advised, D=Dependent)
No	MaxOcc = Maximum occurrence of the segment/group; No = Consecutive segment number

### Branching Diagram



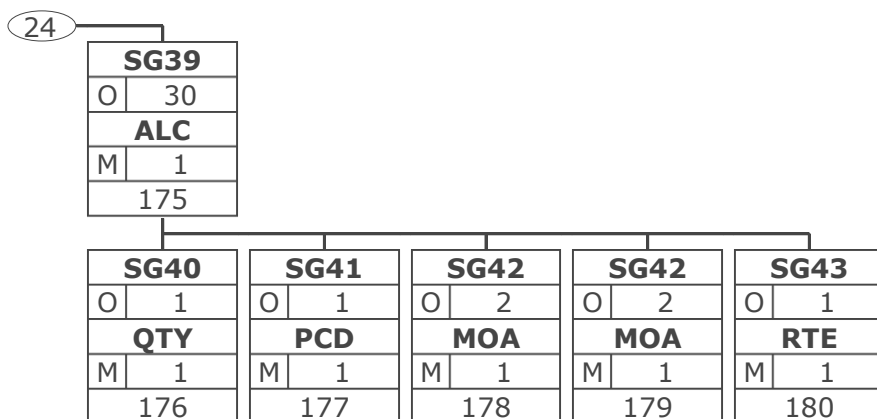
Tag	Tag = Segment/Group Tag
St   MaxOcc	St = Status (M=Mandatory, C=Conditional, R=Required, O=Optional, A=Advised, D=Dependent)
No	MaxOcc = Maximum occurrence of the segment/group; No = Consecutive segment number

### Branching Diagram



Tag	Tag = Segment/Group Tag
St	MaxOcc St = Status (M=Mandatory, C=Conditional, R=Required, O=Optional, A=Advised, D=Dependent)
No	MaxOcc = Maximum occurrence of the segment/group; No = Consecutive segment number

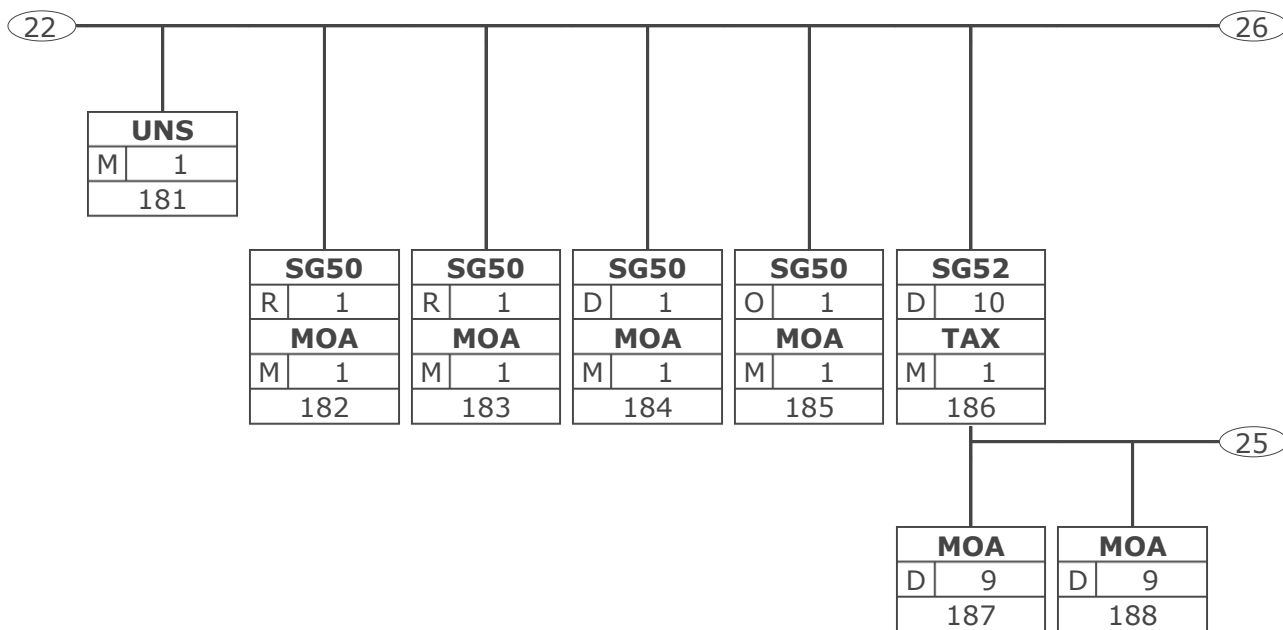
### Branching Diagram



Tag	Tag = Segment/Group Tag
St   MaxOcc	St = Status (M=Mandatory, C=Conditional, R=Required, O=Optional, A=Advised, D=Dependent)
No	MaxOcc = Maximum occurrence of the segment/group; No = Consecutive segment number



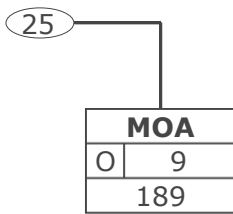
### Branching Diagram



Tag	Tag = Segment/Group Tag	
St	MaxOcc	St = Status (M=Mandatory, C=Conditional, R=Required, O=Optional, A=Advised, D=Dependent)
No	MaxOcc	MaxOcc = Maximum occurrence of the segment/group; No = Consecutive segment number

## Branching Diagram

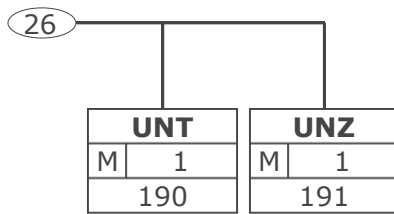
---



Tag	Tag = Segment/Group Tag
St	MaxOcc St = Status (M=Mandatory, C=Conditional, R=Required, O=Optional, A=Advised, D=Dependent)
No	MaxOcc = Maximum occurrence of the segment/group; No = Consecutive segment number

## Branching Diagram

---



Tag	Tag = Segment/Group Tag
St	MaxOcc St = Status (M=Mandatory, C=Conditional, R=Required, O=Optional, A=Advised, D=Dependent)
No	MaxOcc = Maximum occurrence of the segment/group; No = Consecutive segment number

## Message Structure

Seg.	No.	Status	Max Occ	Segment
UNA	1	R	1	Used character set
UNB	2	M	1	Beginning of transmission file
<b>Heading section</b>				
UNH	3	M	1	Beginn of message
BGM	4	M	1	Proforma Invoice Number
DTM	5	M	1	Creation date
DTM	6	D	1	Delivery date
DTM	7	D	1	Pick-up date
DTM	8	O	1	Withdrawal date
DTM	9	O	1	Date of production
DTM	10	O	1	Invoicing period
PAI	11	O	1	Settlement procedure
ALI	12	O	1	Not subject to discount
ALI	13	O	1	Country of origin
ALI	14	O	1	Supply direct to retail store
FTX	15	O	99	Free text
SG1		O	1	RFF-DTM
RFF	16	M	1	Buyers order number
DTM	17	O	1	Ordering date
SG1		O	1	RFF-DTM
RFF	18	M	1	Suppliers order response number
DTM	19	O	1	Order response date
SG1		R	1	RFF-DTM
RFF	20	M	1	Delivery note
DTM	21	O	1	Date of delivery note
SG1		O	1	RFF-DTM
RFF	22	M	1	Receiving advice
SG1		R	1	RFF-DTM
RFF	23	M	1	Invoice number reference
DTM	24	O	1	Invoice date
SG1		O	1	RFF-DTM
RFF	25	M	1	Agreement number
DTM	26	O	1	Agreement date
SG1		O	1	RFF-DTM
RFF	27	M	1	Source document
DTM	28	O	1	Date of source document
SG1		O	1	RFF-DTM
RFF	29	M	1	Number of comercial dispute
DTM	30	O	1	Comercial dispute date
SG1		O	1	RFF-DTM
RFF	31	M	1	Customers returns number
DTM	32	O	1	Date of returns document
SG1		O	1	RFF-DTM
RFF	33	M	1	Referencing Document
DTM	34	O	1	Date of referencing document
SG1		O	1	RFF-DTM
RFF	35	M	1	Consumers order number
SG1		O	1	RFF-DTM
RFF	36	M	1	Sales agreement number
SG1		O	1	RFF-DTM
RFF	37	M	1	Returns notice number

Max. Occ. = Maximum occurrence of the segment/group, Status: M=Mandatory, C=Conditional, R=Required, O=Optional, A=Advised, D=Dependent

## Message Structure

Seg.	No.	Status	Max Occ	Segment
DTM	38	O	1	Date of return document
SG1		O	1	RFF-DTM
RFF	39	M	1	Transport document number
SG1		D	1	RFF-DTM
RFF	40	M	1	BIO-ECO Labelling
SG2		R	1	NAD-FII-SG3-SG5
NAD	41	M	1	Identification of buyer/invoicee
SG3		O	1	RFF
RFF	42	M	1	Buyers internal identification in suppliers system
SG3		O	1	RFF
RFF	43	M	1	Buyers additional identification
SG3		O	1	RFF
RFF	44	M	1	Buyers (VA)Tax registration number
SG2		O	1	NAD-FII-SG3-SG5
NAD	45	M	1	Identification of invoicee
SG3		O	1	RFF
RFF	46	M	1	Invoicees internal identification in suppliers system
SG3		O	1	RFF
RFF	47	M	1	Invoicees additional identification
SG3		O	1	RFF
RFF	48	M	1	Invoicees (VA)Tax registration number
SG2		R	1	NAD-FII-SG3-SG5
NAD	49	M	1	Delivery party identification
SG3		O	1	RFF
RFF	50	M	1	Delivery party additional identification
SG3		O	1	RFF
RFF	51	M	1	Internal customer number of suppliers system
SG5		O	5	CTA-COM
CTA	52	M	1	Contact person
SG2		O	1	NAD-FII-SG3-SG5
NAD	53	M	1	Pick up place identification
SG3		O	1	RFF
RFF	54	M	1	Pick up place additional identification
SG5		O	5	CTA-COM
CTA	55	M	1	Contact person
SG2		O	1	NAD-FII-SG3-SG5
NAD	56	M	1	Ultimate consignee identification
SG3		O	1	RFF
RFF	57	M	1	Ultimate consignee additional identification
SG2		R	1	NAD-FII-SG3-SG5
NAD	58	M	1	Supplier/issuer of invoice identification
SG3		D	1	RFF
RFF	59	M	1	Statements on business letters
SG3		O	1	RFF

Max. Occ. = Maximum occurrence of the segment/group, Status: M=Mandatory, C=Conditional, R=Required, O=Optional, A=Advised, D=Dependent

## Message Structure

Seg.	No.	Status	Max Occ	Segment
RFF	60	M	1	Suppliers additional identification
SG3		D	1	RFF
RFF	61	M	1	Supplier/issuer of invoice VAT registration number
SG3		D	1	RFF
RFF	62	M	1	Supplier/issuer of invoice fiscal tax number
SG2		O	1	NAD-FII-SG3-SG5
NAD	63	M	1	Payees identification
SG3		O	1	RFF
RFF	64	M	1	Payees additional identification
SG3		O	1	RFF
RFF	65	M	1	Payees (VA)Tax registration number
SG2		O	1	NAD-FII-SG3-SG5
NAD	66	M	1	Distributor of goods
SG3		O	1	RFF
RFF	67	M	1	Distributors additional identification
SG6		R	1	TAX-MOA
TAX	68	M	1	Value added tax on document level
SG7		R	1	CUX-DTM
CUX	69	M	1	Currency
SG8		O	1	PAT-DTM-PCD-MOA-PAI-FII
PAT	70	M	1	Payment terms 1
DTM	71	O	1	Due date without deduction
SG8		O	1	PAT-DTM-PCD-MOA-PAI-FII
PAT	72	M	1	Payment terms 1
DTM	73	O	1	Terms discount due date
PCD	74	O	1	Rate of early payment allowance
MOA	75	O	1	Monetary value of early payment allowance
SG8		O	1	PAT-DTM-PCD-MOA-PAI-FII
PAT	76	M	1	Payment terms 2
DTM	77	O	1	Value date
SG16		O	9999	ALC-SG18-SG19-SG20-SG21-SG22
ALC	78	M	1	Type of allowance or charge
SG18		O	1	QTY
QTY	79	M	1	Allowance or charge quantity
SG19		O	1	PCD
PCD	80	M	1	Percentage discount (document)
SG20		O	1	MOA
MOA	81	M	1	Basis amount allowance/charge (invoice level)
SG20		R	1	MOA
MOA	82	M	1	Discount amount (document)
SG21		O	1	RTE
RTE	83	M	1	Allowance or charge rate
SG22		D	5	TAX-MOA
TAX	84	M	1	Allocation allowance/charge:VAT rate

### 1.Detail section - invoiced unit

Max. Occ. = Maximum occurrence of the segment/group, Status: M=Mandatory, C=Conditional, R=Required, O=Optional, A=Advised, D=Dependent

## Message Structure

Seg.	No.	Status	Max Occ	Segment
SG26		R	9999999	LIN-PIA-IMD-MEA-QTY-ALI-DTM- GIN-QVR-FTX-SG27-SG28-SG29- SG30-SG31-SG33-SG34-SG35- SG39-SG45-SG47
LIN	85	M	1	GTIN- Article identification
PIA	86	D	1	Product identification without GTIN
PIA	87	R	1	Additional possibilities for product identification
PIA	88	O	1	Additional possibilities for product identification
PIA	89	O	1	Additional possibilities for product identification GPC (Brick)
PIA	90	O	25	Additional possibilities for product identification GPC (Attributtype, Attribute value)
IMD	91	R	1	Article long description
IMD	92	D	1	Invoicing unit
IMD	93	O	1	Consumer unit
IMD	94	O	1	Display
IMD	95	O	1	Grade of fruit/vegetables
IMD	96	O	1	Quality class (fruit/vegetables)
IMD	97	O	1	Size of fruit/vegetables or textiles
IMD	98	O	1	Colour
IMD	99	O	1	Reusable Empties (deposit)
IMD	100	O	1	One way empties (deposit)
MEA	101	O	1	Weight of the article
QTY	102	D	1	Quantity invoiced
QTY	103	D	1	Quantity delivered
QTY	104	O	1	Free goods quantity
ALI	105	O	1	Not subject to discount
FTX	106	O	1	Free text
SG27		O	1	MOA
MOA	107	M	1	Line item amount
SG27		O	1	MOA
MOA	108	M	1	Line level: Total charges/allowances
SG27		O	1	MOA
MOA	109	M	1	Shrinkage amount (fruit/vegetables)
SG27		O	1	MOA
MOA	110	M	1	Total retail value of the line item
SG29		D	1	PRI-APR
PRI	111	M	1	Single price per invoiced unit net
SG29		D	1	PRI-APR
PRI	112	M	1	Single price per invoiced unit gross
SG29		O	1	PRI-APR
PRI	113	M	1	Retail price
SG29		O	1	PRI-APR
PRI	114	M	1	Price without (tabacco) tax
SG30		O	1	RFF-DTM
RFF	115	M	1	Delivery note (Line)
DTM	116	O	5	Date of delivery note (line level)
SG30		O	1	RFF-DTM

Max. Occ. = Maximum occurrence of the segment/group, Status: M=Mandatory, C=Conditional, R=Required, O=Optional, A=Advised, D=Dependent

## Message Structure

Seg.	No.	Status	Max Occ	Segment
RFF	117	M	1	Despatch advice (Line)
DTM	118	O	5	Despatch advice reference date (line)
SG30		O	1	RFF-DTM
RFF	119	M	1	Ordernumber
DTM	120	O	5	Reference date
SG30		O	1	RFF-DTM
RFF	121	M	1	Consumers order number
DTM	122	O	5	Consumers order number reference date (line)
SG30		O	1	RFF-DTM
RFF	123	M	1	Sales agreement number (Line)
DTM	124	O	5	Sales agreement number reference date (line)
SG30		D	10	RFF-DTM
RFF	125	M	1	BIO-ECO Labelling
SG31		O	1	PAC-MEA-SG32
PAC	126	M	1	Type of package (e.g. fruit/vegetables)
MEA	127	O	10	Net weight fruit/vegetables
SG34		D	1	TAX-MOA
TAX	128	M	1	Value added tax on line level
SG39		O	30	ALC-ALI-DTM-SG40-SG41-SG42-SG43-SG44
ALC	129	M	1	Type of allowance or charge (line level)
SG40		O	1	QTY
QTY	130	M	1	Basis for discount quantity
SG41		O	1	PCD
PCD	131	M	1	Percentage allowance/charge (line level)
SG42		O	2	MOA
MOA	132	M	1	Allowance amount (line level)
SG42		O	2	MOA
MOA	133	M	1	Basis amount allowance/charge (line level)
SG43		O	1	RTE
RTE	134	M	1	Allowance/charge rate (line level)
<b>2.Detail section - consumer unit</b>				
SG26		D	9999999	LIN-PIA-IMD-MEA-QTY-ALI-DTM-GIN-QVR-FTX-SG27-SG28-SG29-SG30-SG31-SG33-SG34-SG35-SG39-SG45-SG47
LIN	135	M	1	GTIN- Article identifikation
PIA	136	D	1	Product identification without GTIN
IMD	137	R	1	Consumer unit
MEA	138	O	1	Weight of the article
QTY	139	R	1	Number of consumer units
<b>3.Detail section - not invoiced units included in assortment</b>				

Max. Occ. = Maximum occurrence of the segment/group, Status: M=Mandatory, C=Conditional, R=Required, O=Optional, A=Advised, D=Dependent



## Message Structure

Seg.	No.	Status	Max Occ	Segment
SG26		D	9999999	LIN-PIA-IMD-MEA-QTY-ALI-DTM- GIN-QVR-FTX-SG27-SG28-SG29- SG30-SG31-SG33-SG34-SG35- SG39-SG45-SG47
LIN	140	M	1	GTIN- Article identifikation
PIA	141	D	1	Product identification without GTIN
PIA	142	D	1	Additional possibilities for product identification
PIA	143	O	1	Additional possibilities for product identification
PIA	144	O	1	Additional possibilities for product identification GPC (Brick)
PIA	145	O	1	Additional possibilities for product identification GPC (Attributtype, Attribute value)
IMD	146	R	1	Consumer unit
IMD	147	O	1	Reusable Empties (deposit)
IMD	148	O	1	One way empties (deposit)
IMD	149	R	1	Article long description
QTY	150	R	1	Quantity content display(s)
SG31		O	1	PAC-MEA-SG32
PAC	151	M	1	Type of package
SG34		D	1	TAX-MOA
TAX	152	M	1	VAT of display/assortment content

### 4.Detail section - invoiced units included in assortment

SG26		R	9999999	LIN-PIA-IMD-MEA-QTY-ALI-DTM- GIN-QVR-FTX-SG27-SG28-SG29- SG30-SG31-SG33-SG34-SG35- SG39-SG45-SG47
LIN	153	M	1	GTIN- Article identifikation
PIA	154	D	1	Product identification without GTIN
PIA	155	D	1	Additional possibilities for product identification
PIA	156	O	1	Additional possibilities for product identification
PIA	157	O	1	Additional possibilities for product identification GPC (Brick)
PIA	158	O	1	Additional possibilities for product identification GPC (Attributtype, Attribute value)
IMD	159	R	99	Invoiced unit
IMD	160	R	1	Consumer unit
IMD	161	O	1	Reusable Empties (deposit)
IMD	162	O	1	GTIN identifies one way empties (deposit)
IMD	163	R	1	Article long description
MEA	164	O	1	Article weight
QTY	165	R	1	Quantity content display(s)
QTY	166	O	1	Free goods quantity
ALI	167	O	1	Not subject to discount
SG27		O	1	MOA

Max. Occ. = Maximum occurrence of the segment/group, Status: M=Mandatory, C=Conditional, R=Required, O=Optional, A=Advised, D=Dependent

## Message Structure

Seg.	No.	Status	Max Occ	Segment
└─MOA	168	M	1	Line item amount
└─SG27		O	1	MOA
└─MOA	169	M	1	Sub line level: Total charges/ allowances
└─SG29		O	1	PRI-APR
└─PRI	170	M	1	Single price per invoiced unit net
└─SG29		O	1	PRI-APR
└─PRI	171	M	1	Single price per invoiced unit gross
└─SG29		O	1	PRI-APR
└─PRI	172	M	1	Retail price
└─SG31		O	1	PAC-MEA-SG32
└─PAC	173	M	1	Type of package
└─SG34		D	1	TAX-MOA
└─TAX	174	M	1	VAT (sub line level)
└─SG39		O	30	ALC-ALI-DTM-SG40-SG41-SG42- SG43-SG44
└─ALC	175	M	1	Type of allowance/charge
└─SG40		O	1	QTY
└─QTY	176	M	1	Basis for discount quantity
└─SG41		O	1	PCD
└─PCD	177	M	1	Percentage allowance/charge (sub line level)
└─SG42		O	2	MOA
└─MOA	178	M	1	Allowance amount (sub line level)
└─SG42		O	2	MOA
└─MOA	179	M	1	Basis amount allowance/charge (sub line level)
└─SG43		O	1	RTE
└─RTE	180	M	1	Allowance/charge rate (sub line level)
<b>Summary section</b>				
└─UNS	181	M	1	Begin summary section
└─SG50		R	1	MOA-SG51
└─MOA	182	M	1	Total proforma invoice amount
└─SG50		R	1	MOA-SG51
└─MOA	183	M	1	Proforma invoice total line items amount
└─SG50		D	1	MOA-SG51
└─MOA	184	M	1	Total charges/allowances
└─SG50		O	1	MOA-SG51
└─MOA	185	M	1	Total retail value
└─SG52		D	10	TAX-MOA
└─TAX	186	M	1	Tax per proforma invoice amount
└─MOA	187	D	9	Proforma invoice total line items amount per tax rate
└─MOA	188	D	9	Total charges/allowances per tax rate
└─MOA	189	O	9	Total retail value/VAT rate
└─UNT	190	M	1	End of the message
└─UNZ	191	M	1	End of the transmission file

Max. Occ. = Maximum occurrence of the segment/group, Status: M=Mandatory, C=Conditional, R=Required, O=Optional, A=Advised, D=Dependent

## Segment Layout

No. Seg	St	Max. Occ.			
1	<b>UNA</b>	R 1	Service string advice		
To define the characters selected for use as delimiters and indicators in the rest of the interchange that follows.					
Business Term	DE	EDIFACT	Format	St	* Description
Component data element separator	UNA1	Component data element separator	an1	M	Default value: ":"
Data element separator	UNA2	Data element separator	an1	M	Default value: "+"
Decimal notation	UNA3	Decimal notation	an1	M	Default value: "."
Release character	UNA4	Release indicator	an1	M	Default value: "?"
Reserved for future use	UNA5	Reserved for future use	an1	M	(Default value: space )
Segment terminator	UNA6	Segment terminator	an1	M	Default value: "' '
Segmentstatus: Mandatory					
The use of the UNA segment is mandatory, if character set "A" (UNB,DE0001) is not used.					
For international EDI the use of character set UNOA is recommended. For national (German) EDI the use of UNOC is reasonable because it contains lower case letters and umlauts.					
Example: <code>UNA:+.?' '</code>					
The UNA segment contains the default service string characters.					

Max. Occ. = Maximum Occurrence, St = Status, \* = Restricted Codes  
 Status: M=Mandatory, R=Required, O=Optional, D=Dependent, A=Advised, N=Not used

## Segment Layout

No. Seg	St	Max. Occ.				
2	<b>UNB</b>	M 1	Interchange header To start, identify and specify an interchange.			
Business Term	DE	EDIFACT	Format	St	*	Description
	S001	Syntax identifier		M		
Character set	0001	Syntax identifier	a4	M	*	UNOA UN/ECE level A UNOB UN/ECE level B UNOC UN/ECE level C UNOD UN/ECE level D UNOE UN/ECE level E UNOF UN/ECE level F
Syntax version	0002	Syntax version number	n1	M	*	3 Version 3
	S002	Interchange sender		M		
Indentification of the sender of the transmission file	0004	Sender identification	an..35	M		= Global Location Number (GLN)
	0007	Partner identification code qualifier	an..4	R	*	14 GS1
Address for reverse routing	0008	Address for reverse routing	an..14	O		See note
	S003	Interchange recipient		M		
Indentification of the receiver of the transmission file	0010	Recipient identification	an..35	M		= Global Location Number (GLN)
	0007	Partner identification code qualifier	an..4	R	*	14 GS1
Routing address	0014	Routing address	an..14	O		See note
	S004	Date/time of preparation		M		
File creation date	0017	Date of preparation	n6	M		= Dateformat JJMMTT
File creation time	0019	Time of preparation	n4	M		= Timeformat HHMM
Interchange control reference, beginnig	0020	Interchange control reference	an..14	M		= Unique senders reference
	S005	Recipient's reference, password		O		
Password interchange	0022	Recipient's reference/ password	an..14	M		
	0025	Recipient's reference/ password qualifier	an2	O	*	AA Reference BB Password
Application reference	0026	Application reference	an..14	O		Message type if the transmission fole contains only one message type
	0029	Processing priority code	a1	O	*	A Highest priority
Acknowledgement request	0031	Acknowledgement request	n1	O		
EANCOM	0032	Communications agreement ID	an..35	R		= EANCOM... EDIFACT subset identification (see note)
Test indicator	0035	Test indicator	n1	O	*	1 Interchange is a

Max. Occ. = Maximum Occurrence, St = Status, \* = Restricted Codes  
Status: M=Mandatory, R=Required, O=Optional, D=Dependent, A=Advised, N=Not used

## Segment Layout

Business Term	DE	EDIFACT	Format	St	*	Description
						test
<p>Segmentstatus: Mandatory</p> <p>This segment is used to envelope the interchange, as well as to identify both, the party to whom the interchange is sent and the party who has sent the interchange.</p> <p>For international EDI the use of character set UNOA is recommended. For national (German) EDI the use of UNOC is reasonable because it contains lower case letters and umlauts.</p> <p>Note DE 0008: The address for reverse routing is provided by the interchange sender to inform the interchange recipient of the address within the sender's (source) system to which responding interchanges must be sent. It is recommended that the GLN be used for this purpose.</p> <p>Note DE 0014: The routing address is used to identify the receiver, if a provider adds service values for the actual receiver (e.g. consolidated companies, corporate group). The use of the identification system (e.g. GLN) has to be agreed bilaterally.</p> <p>Note DE 0020: This data element must contain a consistent sequential number per interchange between sender and receiver of the transmission.</p> <p>Note DE 0032: This data element is used to identify any underlying agreements which control the exchange of data. Within EANCOM , the identity of such agreements must start with the letters 'EANCOM', the remaining characters within the data element being filled according to bilateral agreements.</p> <p>Example: UNB+UNOC:3+4012345000009:14:4012345000018+4000004000002:14:4000004000099+101013:1043+4711+REF:AA+++EANCOM+1' The EANCOM file 4711 dated 13.10.2018, 10 h 43 is sent by the issuer identified with GLN 4012345000009 to the receiver identified with GLN 4000004000002.</p>						

Max. Occ. = Maximum Occurrence, St = Status, \* = Restricted Codes  
 Status: M=Mandatory, R=Required, O=Optional, D=Dependent, A=Advised, N=Not used

## Segment Layout

Heading section

Heading section

No. Seg	St	Max. Occ.				
3	<b>UNH</b>	M 1	Message header To head, identify and specify a message.			
Business Term	DE	EDIFACT	Format	St	*	Description
Message reference number	0062	Message reference number	an..14	M		Sender's unique message reference. Sequence number of messages in the interchange. DE 0062 in UNT will have the same value. Generated by the sender.
	S009	Message identifier		M		
	0065	Message type	an..6	M	*	INVOIC Invoice message
	0052	Message version number	an..3	M	*	D Draft version/ UN/EDIFACT Directory
	0054	Message release number	an..3	M	*	01B Release 2001 - B
	0051	Controlling agency	an..2	M	*	UN UN/CEFACT
	0057	Association assigned code	an..6	R	*	EAN011 GS1 version control number (GS1 Permanent Code)
Segmentstatus: Mandatory						
This segment is used to head, identify and specify a message.						
Example: UNH+ME000001+INVOIC:D:01B:UN:EAN011'						
The reference number of the proforma invoice message is ME000001.						

Max. Occ. = Maximum Occurrence, St = Status, \* = Restricted Codes

Status: M=Mandatory, R=Required, O=Optional, D=Dependent, A=Advised, N=Not used

## Segment Layout

### Heading section

No. Seg	St	Max. Occ.				
4	<b>BGM</b>	M 1	Beginning of message To indicate the type and function of a message and to transmit the identifying number.			
Business Term	DE	EDIFACT	Format	St	*	Description
	C002	Document/message name		R		
	1001	Document name code	an..3	R	*	325 Proforma invoice
	1131	Code list identification code	an..17	N		
	3055	Code list responsible agency code	an..3	N		
Document qualification	1000	Document name	an..35	O		
	C106	Document/message identification		R		
Document Number	1004	Document identifier	an..35	R		Document number assigned by sender
Message function	1225	Message function code	an..3	R	*	7 Duplicate 9 Original

Segmentstatus: Mandatory

This segment is used to indicate the type and function of a message and to transmit the identifying number.

The contents of DE 1000, DE 1001 and DE 1225 must be mutually agreed between the data exchanging parties.

Notes to DE 1001:

325 = Proforma invoice, here in use as an electronic delivery note

Document/message serving as a preliminary invoice, containing - on the whole - the same information as the final invoice, but not actually claiming payment.

Note to DE 1000:

This data element can have the following content by bilaterally agreement:

STATDRINK-LSS

PRESSE

Note to DE 1225:

7 = Duplicate can be used to retransmit a complete interchange to the same partner on request of the receiver. Only date and time can be different from the original file. The use of this code and the handling of additional documents must be mutually agreed between the partners.

Example: BGM+325:::X+87441+9'

The document number is 87441.

Max. Occ. = Maximum Occurrence, St = Status, \* = Restricted Codes

Status: M=Mandatory, R=Required, O=Optional, D=Dependent, A=Advised, N=Not used

## Segment Layout

### Heading section

No. Seg	St	Max. Occ.				
5	<b>DTM</b>	M 1	Date/time/period To specify date, and/or time, or period.			
Business Term	DE	EDIFACT	Format	St	*	Description
	C507	Date/time/period		M		
	2005	Date or time or period function code qualifier	an..3	M	*	137 Document/ message date/ time
Creation date	2380	Date or time or period value	an..35	R		
	2379	Date or time or period format code	an..3	R		102 CCYYMMDD
<p>Segmentstatus: Mandatory</p> <p>Identification of the 'Document/message date/time' (code value 137) is mandatory in the invoice message.</p> <p>Example: <code>DTM+137:20181001:102'</code> The message was created on 01.10.2018.</p>						

Max. Occ. = Maximum Occurrence, St = Status, \* = Restricted Codes  
 Status: M=Mandatory, R=Required, O=Optional, D=Dependent, A=Advised, N=Not used



## Segment Layout

### Heading section

No. Seg	St	Max. Occ.				
6	<b>DTM</b>	D 1	Date/time/period To specify date, and/or time, or period.			
Business Term	DE	EDIFACT	Format	St	*	Description
	C507	Date/time/period		M		
	2005	Date or time or period function code qualifier	an..3	M	*	35 Delivery date/ time, actual
Delivery date	2380	Date or time or period value	an..35	R		
	2379	Date or time or period format code	an..3	R		102 CCYYMMDD 203 CCYYMMDDHHMM
<p>Segmentstatus: Depending, either delivery or pick up date must be indicated.</p> <p>DTM segment is used specify date, and/or time, or period.</p> <p>DE 2005 = 35, Date/time on which goods or consignment are delivered at their destination.</p> <p>In means of taxes the actual delivery date corresponds to the activity date.</p> <p>Example: DTM+35:20180315:102' Date of delivery is 15.03.2018.</p>						

Max. Occ. = Maximum Occurrence, St = Status, \* = Restricted Codes  
 Status: M=Mandatory, R=Required, O=Optional, D=Dependent, A=Advised, N=Not used

## Segment Layout

### Heading section

No. Seg	St	Max. Occ.				
7	<b>DTM</b>	D 1	Date/time/period To specify date, and/or time, or period.			
Business Term	DE	EDIFACT	Format	St	*	Description
	C507	Date/time/period		M		
	2005	Date or time or period function code qualifier	an..3	M	*	200 Pick-up/collection date/time of cargo
Pick-up date	2380	Date or time or period value	an..35	R		
	2379	Date or time or period format code	an..3	R		102 CCYYMMDD 203 CCYYMMDDHHMM
<p>Segmentstatus: Depending, either delivery or pick up date must be indicated.</p> <p>DTM segment is used specify date, and/or time, or period.</p> <p>This segment is used to specify, where required, requested dates concerning the delivery/pick up of the goods.</p> <p>In means of taxes the actual pick up date corresponds to the activity date.</p> <p>Example: <b>DTM+200:20181026:102'</b> This example requires the pick up of consignment on 26.10.2018.</p>						

Max. Occ. = Maximum Occurrence, St = Status, \* = Restricted Codes  
Status: M=Mandatory, R=Required, O=Optional, D=Dependent, A=Advised, N=Not used

## Segment Layout

### Heading section

No. Seg	St	Max. Occ.				
8	<b>DTM</b>	O 1	Date/time/period To specify date, and/or time, or period.			
Business Term	DE	EDIFACT	Format	St	*	Description
	C507	Date/time/period		M		
	2005	Date or time or period function code qualifier	an..3	M	*	199 Positioning date/ time of goods
Withdrawal date	2380	Date or time or period value	an..35	R		
	2379	Date or time or period format code	an..3	R		102 CCYYMMDD 203 CCYYMMDDHHMM 718 CCYYMMDD- CCYYMMDD Format of period to be given in actual message without hyphen.
<p>Segmentstatus: Optional</p> <p>DTM segment is used specify date, and/or time, or period.</p> <p>This segment is used in a self-billed invoice to indicate the withdrawal of materials from the store.</p> <p>Example: <b>DTM+199:20181026:102'</b> The withdrawal of material has taken place on 26. October 2018.</p>						

Max. Occ. = Maximum Occurrence, St = Status, \* = Restricted Codes  
 Status: M=Mandatory, R=Required, O=Optional, D=Dependent, A=Advised, N=Not used

## Segment Layout

### Heading section

No. Seg	St	Max. Occ.				
9	<b>DTM</b>	O 1	Date/time/period To specify date, and/or time, or period.			
Business Term	DE	EDIFACT	Format	St	*	Description
	C507	Date/time/period		M		
	2005	Date or time or period function code qualifier	an..3	M	*	94 <b>Production/ manufacture date</b>
<b>Production date</b>	2380	Date or time or period value	an..35	R		
	2379	Date or time or period format code	an..3	R		102 CCYYMMDD 203 CCYYMMDDHHMM 718 CCYYMMDD- CCYYMMDD Format of period to be given in actual message without hyphen.
<p>Segmentstatus: Optional</p> <p>DTM segment is used specify date, and/or time, or period.</p> <p>This segment is used to indicate the production/manufacture date.</p> <p>Example: <b>DTM+94:20181026:102'</b> The production/manufacture date is 26. October 2018.</p>						

Max. Occ. = Maximum Occurrence, St = Status, \* = Restricted Codes  
 Status: M=Mandatory, R=Required, O=Optional, D=Dependent, A=Advised, N=Not used

## Segment Layout

### Heading section

No. Seg	St	Max. Occ.				
10	<b>DTM</b>	O 1	Date/time/period To specify date, and/or time, or period.			
Business Term	DE	EDIFACT	Format	St	*	Description
	C507	Date/time/period		M		
	2005	Date or time or period function code qualifier	an..3	M	*	263 Invoicing period
Invoicing period	2380	Date or time or period value	an..35	R		
	2379	Date or time or period format code	an..3	R		718 CCYYMMDD- CCYYMMDD Format of period to be given in actual message without hyphen.
<p>Segmentstatus: Optional</p> <p>DTM segment is used specify date, and/or time, or period.</p> <p>This segment is used to indicate the invoicing period.</p> <p>Example: <b>DTM+263:2018102620031029:718'</b> The invoicing period is 26. October 2018 to 29.October 2018.</p>						

Max. Occ. = Maximum Occurrence, St = Status, \* = Restricted Codes  
 Status: M=Mandatory, R=Required, O=Optional, D=Dependent, A=Advised, N=Not used

## Segment Layout

### Heading section

No. Seg	St	Max. Occ.				
11	<b>PAI</b>	O 1	Payment instructions To specify the instructions for payment.			
Business Term	DE	EDIFACT	Format	St	*	Description
	C534	Payment instruction details		M		
	4439	Payment conditions code	an..3	N		
	4431	Payment guarantee means code	an..3	N		
Settlement procedure	4461	Payment means code	an..3	R		10 In cash 20 Cheque 31 Debit transfer 42 Payment to bank account
Segmentstatus: Optional						
Using this segment the issuer of the invoice can transmit payment instructions						
Example: PAI+ : : 31' Direct debit was agreed.						

Max. Occ. = Maximum Occurrence, St = Status, \* = Restricted Codes  
 Status: M=Mandatory, R=Required, O=Optional, D=Dependent, A=Advised, N=Not used

## Segment Layout

### Heading section

No. Seg	St	Max. Occ.				
12	<b>ALI</b>	O 1	Additional information To indicate that special conditions due to the origin, customs preference, fiscal or commercial factors are applicable.			
Business Term	DE	EDIFACT	Format	St	*	Description
	3239	Country of origin name code	an..3	N		
	9213	Duty regime type code	an..3	N		
<b>Not subject to discount</b>	4183	Special condition code	an..3	O		<b>15 Not subject to discount</b>
<p>Segmentstatus: Optional</p> <p>This segment can show that the current invoice is not subject to discount.</p> <p>Example: <b>ALI+++15'</b> The whole message is not subject for discount, e.g. deposit invoicing.</p>						

Max. Occ. = Maximum Occurrence, St = Status, \* = Restricted Codes  
 Status: M=Mandatory, R=Required, O=Optional, D=Dependent, A=Advised, N=Not used

## Segment Layout

### Heading section

No. Seg	St	Max. Occ.				
13	<b>ALI</b>	O 1	Additional information			
To indicate that special conditions due to the origin, customs preference, fiscal or commercial factors are applicable.						
Business Term	DE	EDIFACT	Format	St	*	Description
Country of origin	3239	Country of origin name code	an..3	R		
Segmentstatus: Optional						
This segment is only used for cross border invoices.						
Example: ALI+DE ' Country of origin is Germany.						

Max. Occ. = Maximum Occurrence, St = Status, \* = Restricted Codes  
 Status: M=Mandatory, R=Required, O=Optional, D=Dependent, A=Advised, N=Not used



## Segment Layout

### Heading section

No. Seg	St	Max. Occ.				
14	<b>ALI</b>	O 1	Additional information To indicate that special conditions due to the origin, customs preference, fiscal or commercial factors are applicable.			
Business Term	DE	EDIFACT	Format	St	*	Description
	3239	Country of origin name code	an..3	N		
	9213	Duty regime type code	an..3	N		
Supply direct to retail store	4183	Special condition code	an..3	R		148 Supply direct delivery
Segmentstatus: Optional						
This segment shows, products have been supplied direct to retail store.						
Example: ALI+++148'						
Products have been supplied direct to retail store.						

Max. Occ. = Maximum Occurrence, St = Status, \* = Restricted Codes  
 Status: M=Mandatory, R=Required, O=Optional, D=Dependent, A=Advised, N=Not used

## Segment Layout

### Heading section

No. Seg	St	Max. Occ.				
15	<b>FTX</b>	O 99	Free text To provide free form or coded text information.			
Business Term	DE	EDIFACT	Format	St	*	Description
	4451	Text subject code qualifier	an..3	M		ZZZ Mutually defined SUR Supplier remarks
	4453	Free text function code	an..3	O	*	1 Text for subsequent use
	C107	Text reference		D		
	4441	Free text value code	an..17	M		Agreed reference
	C108	Text literal		D		
Free text	4440	Free text value	an..51	M		
	4440	Free text value	an..51	O		
	4440	Free text value	an..51	O		
	4440	Free text value	an..51	O		
	4440	Free text value	an..51	O		
	3453	Language name code	an..3	D		ISO 639 2-Alpha Code
<p>Segmentstatus: Optional</p> <p>Use of this segment in free form is not recommended since in most cases it inhibits automatic processing of the Invoice. Coded references to standard texts is an available functionality which enables automatic processing and reduces transmission and processing overheads. Standard texts should be mutually defined among trading partners and can be used to cover legal and other requirements.</p> <p>The use of this FTX segment has no consequences on the processing of the invoice, e.g. it can contain explanation on reasons for credit notes</p> <p>Note to DE 4451: Codevalue "ZZZ" shows: Text relates to heading section, Codevalue "SUR" shows: Text relates to summary section.</p> <p>Example: FTX+ZZZ+1++FREIER TEXT:FREE TEXT:FREIER TEXT:FREE TEXT:FREIER TEXT+DE' Possibility to transmit free text.</p>						

Max. Occ. = Maximum Occurrence, St = Status, \* = Restricted Codes  
Status: M=Mandatory, R=Required, O=Optional, D=Dependent, A=Advised, N=Not used

## Segment Layout

### Heading section

No.	Seg	St	Max. Occ.			
16	<b>SG1</b>	O	1	RFF-DTM		
	<b>RFF</b>	M	1	Reference		
To specify a reference.						
Business Term	DE	EDIFACT	Format	St	*	Description
	C506	Reference		M		
	1153	Reference code qualifier	an..3	M	*	ON Order number (buyer)
Buyers order number	1154	Reference identifier	an..70	R		
Segmentstatus: Optional						
This segment can contain a reference to buyers order number						
If buyers order number exists to this delivery note, it is mandatory to transmit it.						
Example: RFF+ON:4711'						
The message references to buyers order number 4711.						

Max. Occ. = Maximum Occurrence, St = Status, \* = Restricted Codes  
 Status: M=Mandatory, R=Required, O=Optional, D=Dependent, A=Advised, N=Not used

## Segment Layout

### Heading section

No. Seg	St	Max. Occ.				
17	<b>SG1</b>	O 1	RFF-DTM			
	<b>DTM</b>	O 1	Date/time/period To specify date, and/or time, or period.			
Business Term	DE	EDIFACT	Format	St	*	Description
	C507	Date/time/period		M		
	2005	Date or time or period function code qualifier	an..3	M	*	171 Reference date/ time
Ordering date	2380	Date or time or period value	an..35	R		
	2379	Date or time or period format code	an..3	R		102 CCYYMMDD
<p>Segmentstatus: Optional</p> <p>This segment is used to specify any dates related to the references given in the previous RFF segment.</p> <p>Example: DTM+171:20180301:102' Buyers order is dated 01.03.2018.</p>						

Max. Occ. = Maximum Occurrence, St = Status, \* = Restricted Codes  
 Status: M=Mandatory, R=Required, O=Optional, D=Dependent, A=Advised, N=Not used

## Segment Layout

### Heading section

No. Seg	St	Max. Occ.				
18	<b>SG1</b>	O 1	RFF-DTM			
	<b>RFF</b>	M 1	Reference			
To specify a reference.						
Business Term	DE	EDIFACT	Format	St	*	Description
	C506	Reference		M		
	1153	Reference code qualifier	an..3	M	*	POR Purchase order response number
Suppliers purchase order response number	1154	Reference identifier	an..70	R		
Segmentstatus: Optional						
This segment can contain a reference to suppliers order response number						
Example: RFF+POR:4711-R'						
The message references to suppliers order response number 4711-R.						

Max. Occ. = Maximum Occurrence, St = Status, \* = Restricted Codes  
 Status: M=Mandatory, R=Required, O=Optional, D=Dependent, A=Advised, N=Not used

## Segment Layout

### Heading section

No. Seg	St	Max. Occ.				
19	<b>SG1</b>	O 1	RFF-DTM			
	<b>DTM</b>	O 1	Date/time/period To specify date, and/or time, or period.			
Business Term	DE	EDIFACT	Format	St	*	Description
	C507	Date/time/period		M		
	2005	Date or time or period function code qualifier	an..3	M	*	171 Reference date/ time
Order response date	2380	Date or time or period value	an..35	R		
	2379	Date or time or period format code	an..3	R		102 CCYYMMDD
<p>Segmentstatus: Optional</p> <p>This segment is used to specify any dates related to the references given in the previous RFF segment.</p> <p>Example: DTM+171:20180301:102' Suppliers order response is dated 01.03.2018</p>						

Max. Occ. = Maximum Occurrence, St = Status, \* = Restricted Codes  
 Status: M=Mandatory, R=Required, O=Optional, D=Dependent, A=Advised, N=Not used

## Segment Layout

### Heading section

No.	Seg	St	Max. Occ.				
20	<b>SG1</b>	R	1	RFF-DTM			
	<b>RFF</b>	M	1	Reference			
To specify a reference.							
Business Term		DE	EDIFACT	Format	St	*	Description
		C506	Reference		M		
		1153	Reference code qualifier	an..3	M	*	DQ Delivery note number
Delivery note		1154	Reference identifier	an..70	R		

Segmentstatus: Mandatory

This segment is used to reference the delivery note number.

The delivery note number relating to the current proforma invoice has to be placed here.

Within consolidated invoices the first delivery note number has to be specified at this place. Another RFF segment, qualified "DQ" will follow to specify the last delivery note number. The sequence needs not to be without gaps inevitable. Alternatively it is possible to agree a reference per single delivery note between the partners, if the 99999 repetitions of segmentgroup 1 are sufficient.

Example: RFF+DQ:4714'

The message references to delivery note number 4714.

Max. Occ. = Maximum Occurrence, St = Status, \* = Restricted Codes  
 Status: M=Mandatory, R=Required, O=Optional, D=Dependent, A=Advised, N=Not used

## Segment Layout

### Heading section

No. Seg	St	Max. Occ.				
21	<b>SG1</b>	R 1	RFF-DTM			
	<b>DTM</b>	O 1	Date/time/period			
To specify date, and/or time, or period.						
Business Term	DE	EDIFACT	Format	St	*	Description
	C507	Date/time/period		M		
	2005	Date or time or period function code qualifier	an..3	M	*	171 Reference date/ time
Date of delivery note	2380	Date or time or period value	an..35	R		
	2379	Date or time or period format code	an..3	R		102 CCYYMMDD
Segmentstatus: Optional						
This segment is used to specify any dates related to the references given in the previous RFF segment.						
Example: DTM+171:20180301:102'						
The date of the delivery note is 01.03.2018.						

Max. Occ. = Maximum Occurrence, St = Status, \* = Restricted Codes  
 Status: M=Mandatory, R=Required, O=Optional, D=Dependent, A=Advised, N=Not used



## Segment Layout

### Heading section

No.	Seg	St	Max. Occ.				
22	<b>SG1</b>	O	1	RFF-DTM			
	<b>RFF</b>	M	1	Reference To specify a reference.			
Business Term		DE	EDIFACT	Format	St	*	Description
		C506	Reference		M		
		1153	Reference code qualifier	an..3	M	*	ALO Receiving advice number
Receiving advice		1154	Reference identifier	an..70	R		
<p>Segmentstatus: Optional</p> <p>This segment is used to reference the receiving advice (RECADV).</p> <p>Example: RFF+ALO:4714'</p> <p>The message references to receiving advice number 4714.</p>							

Max. Occ. = Maximum Occurrence, St = Status, \* = Restricted Codes  
 Status: M=Mandatory, R=Required, O=Optional, D=Dependent, A=Advised, N=Not used

## Segment Layout

### Heading section

No.	Seg	St	Max. Occ.				
23	<b>SG1</b>	R	1	RFF-DTM			
	<b>RFF</b>	M	1	Reference To specify a reference.			
Business Term		DE	EDIFACT	Format	St	*	Description
		C506	Reference		M		
		1153	Reference code qualifier	an..3	M	*	IV Invoice number
Invoice number		1154	Reference identifier	an..70	R		
<p>Segmentstatus: Mandatory</p> <p>This segment is used to give a reference to the invoice where this current proforma invoice is contained.</p> <p>Example: RFF+IV:4713 ' The current document is invoiced in invoice 4713.</p>							

Max. Occ. = Maximum Occurrence, St = Status, \* = Restricted Codes  
 Status: M=Mandatory, R=Required, O=Optional, D=Dependent, A=Advised, N=Not used

## Segment Layout

### Heading section

No. Seg	St	Max. Occ.				
24	<b>SG1</b>	R 1	RFF-DTM			
	<b>DTM</b>	O 1	Date/time/period To specify date, and/or time, or period.			
Business Term	DE	EDIFACT	Format	St	*	Description
	C507	Date/time/period		M		
	2005	Date or time or period function code qualifier	an..3	M	*	171 Reference date/ time
Invoice date	2380	Date or time or period value	an..35	R		
	2379	Date or time or period format code	an..3	R		102 CCYYMMDD 203 CCYYMMDDHHMM
<p>Segmentstatus: Optional</p> <p>This segment is used to specify any dates related to the references given in the previous RFF segment.</p> <p>Example: <b>DTM+171:20180301:102'</b> The date of the invoice is 01.03.2018.</p>						

Max. Occ. = Maximum Occurrence, St = Status, \* = Restricted Codes  
 Status: M=Mandatory, R=Required, O=Optional, D=Dependent, A=Advised, N=Not used

## Segment Layout

### Heading section

No. Seg	St	Max. Occ.				
25	<b>SG1</b>	O 1	RFF-DTM			
	<b>RFF</b>	M 1	Reference			
To specify a reference.						
Business Term	DE	EDIFACT	Format	St	*	Description
	C506	Reference		M		
	1153	Reference code qualifier	an..3	M	*	CT <b>Contract number</b>
<b>Agreement number</b>	1154	Reference identifier	an..70	R		
Segmentstatus: Optional						
This segment is used to reference the agreement, if more than one agreements exist.						
Example: RFF+CT:1'						
Document references to agreement no. 1.						

Max. Occ. = Maximum Occurrence, St = Status, \* = Restricted Codes  
 Status: M=Mandatory, R=Required, O=Optional, D=Dependent, A=Advised, N=Not used

## Segment Layout

### Heading section

No. Seg	St	Max. Occ.				
26	<b>SG1</b>	O 1	RFF-DTM			
	<b>DTM</b>	O 1	Date/time/period			
To specify date, and/or time, or period.						
Business Term	DE	EDIFACT	Format	St	*	Description
	C507	Date/time/period		M		
	2005	Date or time or period function code qualifier	an..3	M	*	171 Reference date/ time
Agreement date	2380	Date or time or period value	an..35	R		
	2379	Date or time or period format code	an..3	R		102 CCYYMMDD
Segmentstatus: Optional						
This segment is used to specify any dates related to the references given in the previous RFF segment.						
Example: DTM+171:20180301:102'						
The agreement date is 01.03.2018.						

Max. Occ. = Maximum Occurrence, St = Status, \* = Restricted Codes  
 Status: M=Mandatory, R=Required, O=Optional, D=Dependent, A=Advised, N=Not used

## Segment Layout

### Heading section

No. Seg	St	Max. Occ.				
27	<b>SG1</b>	O 1	RFF-DTM			
	<b>RFF</b>	M 1	Reference			
To specify a reference.						
Business Term	DE	EDIFACT	Format	St	*	Description
	C506	Reference		M		
	1153	Reference code qualifier	an..3	M	*	DM Document number
Source document	1154	Reference identifier	an..70	R		
<p>Segmentstatus: Optional</p> <p>This segment must be used within credit notes to specify the source voucher (all possibilities without commercial disputes, see next RFF)</p> <p>Example: RFF+DM:8711' The credit note specifies reference no. 8711.</p>						

Max. Occ. = Maximum Occurrence, St = Status, \* = Restricted Codes  
 Status: M=Mandatory, R=Required, O=Optional, D=Dependent, A=Advised, N=Not used

## Segment Layout

### Heading section

No. Seg	St	Max. Occ.				
28	<b>SG1</b>	O 1	RFF-DTM			
	<b>DTM</b>	O 1	Date/time/period To specify date, and/or time, or period.			
Business Term	DE	EDIFACT	Format	St	*	Description
	C507	Date/time/period		M		
	2005	Date or time or period function code qualifier	an..3	M	*	171 Reference date/ time
Date of source document	2380	Date or time or period value	an..35	R		
	2379	Date or time or period format code	an..3	R		102 CCYYMMDD
<p>Segmentstatus: Optional</p> <p>This segment is used to specify any dates related to the references given in the previous RFF segment.</p> <p>Example: DTM+171:20180301:102' The date of the reference is 01.03.2018.</p>						

Max. Occ. = Maximum Occurrence, St = Status, \* = Restricted Codes  
 Status: M=Mandatory, R=Required, O=Optional, D=Dependent, A=Advised, N=Not used

## Segment Layout

### Heading section

No. Seg	St	Max. Occ.				
29	<b>SG1</b>	O 1	RFF-DTM			
	<b>RFF</b>	M 1	Reference			
To specify a reference.						
Business Term	DE	EDIFACT	Format	St	*	Description
	C506	Reference		M		
	1153	Reference code qualifier	an..3	M	*	AGG <b>Dispute number</b>
<b>Number of comercial dispute</b>	1154	Reference identifier	an..70	R		
Segmentstatus: Optional						
This segment must be used within credit notes to specify the source commercial dispute.						
Example: RFF+AGG:8711'						
Credit note specifies commercial dispute 8711.						

Max. Occ. = Maximum Occurrence, St = Status, \* = Restricted Codes  
 Status: M=Mandatory, R=Required, O=Optional, D=Dependent, A=Advised, N=Not used



## Segment Layout

### Heading section

No. Seg	St	Max. Occ.				
30	<b>SG1</b>	O 1	RFF-DTM			
	<b>DTM</b>	O 1	Date/time/period To specify date, and/or time, or period.			
Business Term	DE	EDIFACT	Format	St	*	Description
	C507	Date/time/period		M		
	2005	Date or time or period function code qualifier	an..3	M	*	171 Reference date/ time
Comercial dispute date	2380	Date or time or period value	an..35	R		
	2379	Date or time or period format code	an..3	R		102 CCYYMMDD
<p>Segmentstatus: Optional</p> <p>This segment is used to specify any dates related to the references given in the previous RFF segment.</p> <p>Example: DTM+171:20180301:102' The date of the comercial dispute is 01.03.2018.</p>						

Max. Occ. = Maximum Occurrence, St = Status, \* = Restricted Codes  
 Status: M=Mandatory, R=Required, O=Optional, D=Dependent, A=Advised, N=Not used

## Segment Layout

### Heading section

No.	Seg	St	Max.	Occ.		
31	<b>SG1</b>	O	1		RFF-DTM	
	<b>RFF</b>	M	1		Reference	
To specify a reference.						
Business Term	DE	EDIFACT	Format	St	*	Description
	C506	Reference		M		
	1153	Reference code qualifier	an..3	M	*	ALQ Returns notice number
Customers returns number	1154	Reference identifier	an..70	R		
Segmentstatus: Optional						
This segment can be used to specify returns of goods, e.g. deposit						
Example: RFF+ALQ:8799'						
Reference to returns no. 8799.						

Max. Occ. = Maximum Occurrence, St = Status, \* = Restricted Codes  
 Status: M=Mandatory, R=Required, O=Optional, D=Dependent, A=Advised, N=Not used

## Segment Layout

### Heading section

No. Seg	St	Max. Occ.				
32	<b>SG1</b>	O 1	RFF-DTM			
	<b>DTM</b>	O 1	Date/time/period			
To specify date, and/or time, or period.						
Business Term	DE	EDIFACT	Format	St	*	Description
	C507	Date/time/period		M		
	2005	Date or time or period function code qualifier	an..3	M	*	171 Reference date/ time
Date of returns document	2380	Date or time or period value	an..35	R		
	2379	Date or time or period format code	an..3	R		102 CCYYMMDD
Segmentstatus: Optional						
This segment is used to specify any dates related to the references given in the previous RFF segment.						
Example: DTM+171:20180301:102'						
The date on the returns document is 01.03.2018.						

Max. Occ. = Maximum Occurrence, St = Status, \* = Restricted Codes  
 Status: M=Mandatory, R=Required, O=Optional, D=Dependent, A=Advised, N=Not used

## Segment Layout

### Heading section

No. Seg	St	Max. Occ.				
33	<b>SG1</b>	O 1	RFF-DTM			
	<b>RFF</b>	M 1	Reference			
To specify a reference.						
Business Term	DE	EDIFACT	Format	St	*	Description
	C506	Reference		M		
	1153	Reference code qualifier	an..3	M	*	ACE <b>Related document number</b>
<b>Referencing Document</b>	1154	Reference identifier	an..70	R		
Segmentstatus: Optional						
This segment can be used to specify additional references, e.g. SAP account reference						
Example: RFF+ACE:8799'						
Reference to document no. 8799.						

Max. Occ. = Maximum Occurrence, St = Status, \* = Restricted Codes  
 Status: M=Mandatory, R=Required, O=Optional, D=Dependent, A=Advised, N=Not used

## Segment Layout

### Heading section

No. Seg	St	Max. Occ.				
34	<b>SG1</b>	O 1	RFF-DTM			
	<b>DTM</b>	O 1	Date/time/period To specify date, and/or time, or period.			
Business Term	DE	EDIFACT	Format	St	*	Description
	C507	Date/time/period		M		
	2005	Date or time or period function code qualifier	an..3	M	*	171 Reference date/time
Date of referencing document	2380	Date or time or period value	an..35	R		
	2379	Date or time or period format code	an..3	R		102 CCYYMMDD
<p>Segmentstatus: Optional</p> <p>This segment is used to specify any dates related to the references given in the previous RFF segment.</p> <p>Example: <b>DTM+171:20180301:102'</b> The date on the referencing document is 01.03.2018.</p>						

Max. Occ. = Maximum Occurrence, St = Status, \* = Restricted Codes  
 Status: M=Mandatory, R=Required, O=Optional, D=Dependent, A=Advised, N=Not used

## Segment Layout

### Heading section

No. Seg	St	Max. Occ.				
35	<b>SG1</b>	O 1	RFF-DTM			
	<b>RFF</b>	M 1	Reference To specify a reference.			
Business Term	DE	EDIFACT	Format	St	*	Description
	C506	Reference		M		
	1153	Reference code qualifier	an..3	M	*	UC <b>Ultimate customer's reference number</b>
<b>Consumers order number</b>	1154	Reference identifier	an..70	R		
<p>Segmentstatus: Optional</p> <p>This segmentgroup will only be used to provide consumers order number.</p> <p>Example: <b>RFF+UC:4711'</b> The message references to consumers order number 4711.</p>						

Max. Occ. = Maximum Occurrence, St = Status, \* = Restricted Codes  
 Status: M=Mandatory, R=Required, O=Optional, D=Dependent, A=Advised, N=Not used

## Segment Layout

### Heading section

No. Seg	St	Max. Occ.				
36	<b>SG1</b>	O 1	RFF-DTM			
	<b>RFF</b>	M 1	Reference			
To specify a reference.						
Business Term	DE	EDIFACT	Format	St	*	Description
	C506	Reference		M		
	1153	Reference code qualifier	an..3	M	*	AGB <b>Contract party reference number</b>
<b>Sales agreement number</b>	1154	Reference identifier	an..70	R		
Segmentstatus: Optional						
This segmentgroup will only be used to provide the sales agreement number.						
Example: <b>RFF+AGB:4711</b> 'The message references to sales agreement number 4711.						

Max. Occ. = Maximum Occurrence, St = Status, \* = Restricted Codes  
 Status: M=Mandatory, R=Required, O=Optional, D=Dependent, A=Advised, N=Not used

## Segment Layout

### Heading section

No. Seg	St	Max. Occ.				
37	<b>SG1</b>	O 1	RFF-DTM			
	<b>RFF</b>	M 1	Reference			
To specify a reference.						
Business Term	DE	EDIFACT	Format	St	*	Description
	C506	Reference		M		
	1153	Reference code qualifier	an..3	M	*	ALQ Returns notice number
Returns notice number	1154	Reference identifier	an..70	R		
Segmentstatus: Optional						
This segmentgroup will only be used to provide a returns notice number. The document number is assigned by the buyer.						
Example: RFF+ALQ:4788'						
The message references to returns notice number 4788.						

Max. Occ. = Maximum Occurrence, St = Status, \* = Restricted Codes  
 Status: M=Mandatory, R=Required, O=Optional, D=Dependent, A=Advised, N=Not used



## Segment Layout

### Heading section

No. Seg	St	Max. Occ.				
38	<b>SG1</b>	O 1	RFF-DTM			
	<b>DTM</b>	O 1	Date/time/period To specify date, and/or time, or period.			
Business Term	DE	EDIFACT	Format	St	*	Description
	C507	Date/time/period		M		
	2005	Date or time or period function code qualifier	an..3	M	*	171 Reference date/ time
Date of return document	2380	Date or time or period value	an..35	R		
	2379	Date or time or period format code	an..3	R		102 CCYYMMDD
Segmentstatus: Optional						
This segment is used to specify any dates related to the references given in the previous RFF segment.						
Example: DTM+171:20180301:102' The date of the return document is 01.03.2018.						

Max. Occ. = Maximum Occurrence, St = Status, \* = Restricted Codes  
 Status: M=Mandatory, R=Required, O=Optional, D=Dependent, A=Advised, N=Not used

## Segment Layout

### Heading section

No. Seg	St	Max. Occ.				
39	<b>SG1</b>	O 1	RFF-DTM			
	<b>RFF</b>	M 1	Reference			
To specify a reference.						
Business Term	DE	EDIFACT	Format	St	*	Description
	C506	Reference		M		
	1153	Reference code qualifier	an..3	M	*	AAS <b>Transport document number</b>
<b>Transport document number</b>	1154	Reference identifier	an..70	R		
Segmentstatus: Optional						
This segment can be used to indicate the document number assigned by the freight forwarder.						
Example: <b>RFF+AAS:4711</b> ' The message references to transport document number 4711.						

Max. Occ. = Maximum Occurrence, St = Status, \* = Restricted Codes  
 Status: M=Mandatory, R=Required, O=Optional, D=Dependent, A=Advised, N=Not used

## Segment Layout

### Heading section

No. Seg	St	Max. Occ.				
40	<b>SG1</b>	D 1	RFF-DTM			
	<b>RFF</b>	M 1	Reference			
To specify a reference.						
Business Term	DE	EDIFACT	Format	St	*	Description
	C506	Reference		M		
	1153	Reference code qualifier	an..3	M	*	AXO <b>Product certification number</b> (Old code value: XC1)
<b>ECO controlling agency</b>	1154	Reference identifier	an..70	C		
<p>Segmentstatus: Depending</p> <p>This segment services the requirements of EC 834/2007.</p> <p>Note: SG1 may be repeated max. 10 times.</p> <p>Example: RFF+AXO:AT-N-01-BIO'</p> <p>The message contains only BIO products. All of them are certified by the control agency AT-N-01-BIO, as long as no other information is given at line level.</p>						

Max. Occ. = Maximum Occurrence, St = Status, \* = Restricted Codes  
 Status: M=Mandatory, R=Required, O=Optional, D=Dependent, A=Advised, N=Not used

## Segment Layout

### Heading section

No. Seg	St	Max. Occ.				
41	<b>SG2</b>	R 1	NAD-FII-SG3-SG5			
	<b>NAD</b>	M 1	Name and address			
To specify the name/address and their related function, either by C082 only and/or unstructured by C058 or structured by C080 thru 3207.						
Business Term	DE	EDIFACT	Format	St	*	Description
	3035	Party function code qualifier	an..3	M	*	BY Buyer
	C082	Party identification details		A		
Identification of buyer/invoicee	3039	Party identifier	an..35	M		Global Location Number (GLN)- Format n13
	1131	Code list identification code	an..17	N		
	3055	Code list responsible agency code	an..3	R	*	9 GS1
Segmentstatus: Mandatory						
The buyer/invoicee is identified by GLN.						
Example: NAD+BY+4071615111110: :9'						
The buyer/invoicee is identified by GLN 4071615111110.						

Max. Occ. = Maximum Occurrence, St = Status, \* = Restricted Codes  
 Status: M=Mandatory, R=Required, O=Optional, D=Dependent, A=Advised, N=Not used

## Segment Layout

### Heading section

No. Seg	St	Max. Occ.				
<b>SG2</b>	R	1	NAD-FII-SG3-SG5			
<b>SG3</b>	O	1	RFF			
42 <b>RFF</b>	M	1	Reference			
To specify a reference.						
Business Term	DE	EDIFACT	Format	St	*	Description
	C506	Reference		M		
	1153	Reference code qualifier	an..3	M	*	IT <b>Internal customer number</b>
<b>Buyers internal identification in suppliers system</b>	1154	Reference identifier	an..70	R		
Segmentstatus: Optional						
The RFF segment following the NAD segment can specify identification number from suppliers system.						
If no functional or organisational differences are necessary within one company only the GLN is used for communication purposes, if applicable the receiver links within the inhouse system. Additional identifications should be agreed only in those cases when different functional entities need to be distinguished at one location.						
Example: <b>RFF+IT:0815'</b> The identification in suppliers system is 0815.						

Max. Occ. = Maximum Occurrence, St = Status, \* = Restricted Codes  
 Status: M=Mandatory, R=Required, O=Optional, D=Dependent, A=Advised, N=Not used

## Segment Layout

### Heading section

No. Seg	St	Max. Occ.	
<b>SG2</b>	R	1	NAD-FII-SG3-SG5
<b>SG3</b>	O	1	RFF
43 <b>RFF</b>	M	1	Reference

To specify a reference.

Business Term	DE	EDIFACT	Format	St	*	Description
	C506	Reference		M		
	1153	Reference code qualifier	an..3	M	*	YC1 Additional party identification (GS1 Temporary Code)
Buyers additional identification	1154	Reference identifier	an..70	R		

Segmentstatus: Optional

The RFF segment following the NAD segment can specify an agreed additional identification.

If no functional or organisational differences are necessary within one company only the GLN is used for communication purposes, if applicable the receiver links within the inhouse system. Additional identifications should be agreed only in those cases when different functional entities need to be distinguished at one location.

Example: RFF+YC1:0815'

The additional identification is 0815.

Max. Occ. = Maximum Occurrence, St = Status, \* = Restricted Codes  
 Status: M=Mandatory, R=Required, O=Optional, D=Dependent, A=Advised, N=Not used

## Segment Layout

### Heading section

No. Seg	St	Max. Occ.				
<b>SG2</b>	R	1	NAD-FII-SG3-SG5			
<b>SG3</b>	O	1	RFF			
44 <b>RFF</b>	M	1	Reference			
To specify a reference.						
Business Term	DE	EDIFACT	Format	St	*	Description
	C506	Reference		M		
	1153	Reference code qualifier	an..3	M	*	VA VAT registration number FC Fiscal number
Buyers (VA)Tax registration number	1154	Reference identifier	an..70	R		
Segmentstatus: Optional						
The RFF segment following the NAD segment can specify a (VA)Tax registration number.						
Example: RFF+VA:DE090909'						
The VAT registration number is DE090909.						

Max. Occ. = Maximum Occurrence, St = Status, \* = Restricted Codes  
 Status: M=Mandatory, R=Required, O=Optional, D=Dependent, A=Advised, N=Not used

## Segment Layout

### Heading section

No. Seg	St	Max. Occ.				
45	<b>SG2</b>	O 1	NAD-FII-SG3-SG5			
	<b>NAD</b>	M 1	Name and address			
To specify the name/address and their related function, either by C082 only and/or unstructured by C058 or structured by C080 thru 3207.						
Business Term	DE	EDIFACT	Format	St	*	Description
	3035	Party function code qualifier	an..3	M	*	IV <b>Invoicee</b>
	C082	Party identification details		A		
<b>Identification of invoicee</b>	3039	Party identifier	an..35	M		Global Location Number (GLN)- Format n13
	1131	Code list identification code	an..17	N		
	3055	Code list responsible agency code	an..3	R	*	9 <b>GS1</b>
Segmentstatus: Optional						
The invoicee is identified by GLN if not identical with buyer.						
Example: <b>NAD+IV+4071615192710::9'</b> Invoicee is identified by GLN 4071615192710.						

Max. Occ. = Maximum Occurrence, St = Status, \* = Restricted Codes  
 Status: M=Mandatory, R=Required, O=Optional, D=Dependent, A=Advised, N=Not used



## Segment Layout

### Heading section

No. Seg	St	Max. Occ.				
<b>SG2</b>	O	1	NAD-FII-SG3-SG5			
<b>SG3</b>	O	1	RFF			
46 <b>RFF</b>	M	1	Reference			
To specify a reference.						
Business Term	DE	EDIFACT	Format	St	*	Description
	C506	Reference		M		
	1153	Reference code qualifier	an..3	M	*	IT Internal customer number
Invocees internal identification in suppliers system	1154	Reference identifier	an..70	R		
<p>Segmentstatus: Optional</p> <p>The RFF segment following the NAD segment can specify the identification from suppliers system.</p> <p>If no functional or organisational differences are necessary within one company only the GLN is used for communication purposes, if applicable the receiver links within the inhouse system. Additional identifications should be agreed only in those cases when different functional entities need to be distinguished at one location.</p> <p>Example: RFF+IT:0815 ' The internal identification is 0815.</p>						

Max. Occ. = Maximum Occurrence, St = Status, \* = Restricted Codes  
 Status: M=Mandatory, R=Required, O=Optional, D=Dependent, A=Advised, N=Not used

## Segment Layout

### Heading section

No.	Seg	St	Max. Occ.	
	<b>SG2</b>	O	1	NAD-FII-SG3-SG5
	<b>SG3</b>	O	1	RFF
47	<b>RFF</b>	M	1	Reference

To specify a reference.

Business Term	DE	EDIFACT	Format	St	*	Description
	C506	Reference		M		
	1153	Reference code qualifier	an..3	M	*	YC1 Additional party identification (GS1 Temporary Code)
Invocees additional identification	1154	Reference identifier	an..70	R		

Segmentstatus: Optional

The RFF segment following the NAD segment can specify an agreed additional identification.

If no functional or organisational differences are necessary within one company only the GLN is used for communication purposes, if applicable the receiver links within the inhouse system. Additional identifications should be agreed only in those cases when different functional entities need to be distinguished at one location.

Example: RFF+YC1:0815'

The additional identification is 0815.

Max. Occ. = Maximum Occurrence, St = Status, \* = Restricted Codes  
 Status: M=Mandatory, R=Required, O=Optional, D=Dependent, A=Advised, N=Not used

## Segment Layout

### Heading section

No. Seg	St	Max. Occ.				
<b>SG2</b>	O	1	NAD-FII-SG3-SG5			
<b>SG3</b>	O	1	RFF			
48 <b>RFF</b>	M	1	Reference			
To specify a reference.						
Business Term	DE	EDIFACT	Format	St	*	Description
	C506	Reference		M		
	1153	Reference code qualifier	an..3	M	*	VA VAT registration number FC Fiscal number
Invoictees (VA)Tax registration number	1154	Reference identifier	an..70	R		
Segmentstatus: Optional						
The RFF segment following the NAD segment can specify a (VA)Tax registration number.						
Example: RFF+VA:DE090909'						
The VAT registration number is DE090909.						

Max. Occ. = Maximum Occurrence, St = Status, \* = Restricted Codes  
 Status: M=Mandatory, R=Required, O=Optional, D=Dependent, A=Advised, N=Not used

## Segment Layout

### Heading section

No. Seg	St	Max. Occ.				
49	<b>SG2</b>	R 1	NAD-FII-SG3-SG5			
	<b>NAD</b>	M 1	Name and address			
To specify the name/address and their related function, either by C082 only and/or unstructured by C058 or structured by C080 thru 3207.						
Business Term	DE	EDIFACT	Format	St	*	Description
	3035	Party function code qualifier	an..3	M	*	DP <b>Delivery party</b>
	C082	Party identification details		D		
<b>Delivery party identification</b>	3039	Party identifier	an..35	M		Global Location Number (GLN) - Format n13
	1131	Code list identification code	an..17	N		
	3055	Code list responsible agency code	an..3	R	*	9 <b>GS1</b>
	C058	Name and address		N		
	3124	Name and address description	an..35			
	C080	Party name		D		
<b>Name 1 of the receiver</b>	3036	Party name	an..35	M		
<b>Name 2 of the receiver</b>	3036	Party name	an..35	D		
<b>Name 3 of the receiver</b>	3036	Party name	an..35	D		
	C059	Street		D		
<b>Street and number of receiver</b>	3042	Street and number or post office box identifier	an..35	M		
<b>Place of receiver - name of a city (town, village) for addressing purposes.</b>	3164	City name	an..35	D		
	C819	Country sub-entity details		D		
	3229	Country sub-entity name code	an..9	O		Identification of the name of sub-entities (state, province) defined by appropriate governmental agencies
<b>Postcode of receiver</b>	3251	Postal identification code	an..17	D		
<b>Country of receiver, coded</b>	3207	Country name code	an..3	D		
Segmentstatus: Mandatory						
This NAD segment always identifies the first delivery place.						
DE 3039: The delivery party is identified by Global location number. Party name and address in clear text may only be used, if a global location number is not (yet) available.						
If the delivery party is not known (e.g. pick up by third party), the GLN of the buyer is indicated in DE 3039.						

Max. Occ. = Maximum Occurrence, St = Status, \* = Restricted Codes

Status: M=Mandatory, R=Required, O=Optional, D=Dependent, A=Advised, N=Not used

## Segment Layout

---

### Heading section

Example: NAD+DP+4089876511111::9++Warenempfänger-Name 1:Warenempfänger-Name 2:Warenempfänger-Name 3+Maarweg 104+Köln++50825+DE'  
The delivery party is identified by Global location number 4089876511111.

Max. Occ. = Maximum Occurrence, St = Status, \* = Restricted Codes  
Status: M=Mandatory, R=Required, O=Optional, D=Dependent, A=Advised, N=Not used

## Segment Layout

### Heading section

No.	Seg	St	Max. Occ.	
	<b>SG2</b>	R	1	NAD-FII-SG3-SG5
	<b>SG3</b>	O	1	RFF
50	<b>RFF</b>	M	1	Reference

To specify a reference.

Business Term	DE	EDIFACT	Format	St	*	Description
	C506	Reference		M		
	1153	Reference code qualifier	an..3	M	*	YC1 Additional party identification (GS1 Temporary Code)
Delivery party additional identification	1154	Reference identifier	an..70	R		

Segmentstatus: Optional

The RFF segment following the NAD segment can specify an agreed additional identification.

If no functional or organisational differences are necessary within one company only the GLN is used for communication purposes, if applicable the receiver links within the inhouse system. Additional identifications should be agreed only in those cases when different functional entities need to be distinguished at one location.

Example: RFF+YC1:0816'

The additional identification is 0816.

Max. Occ. = Maximum Occurrence, St = Status, \* = Restricted Codes  
 Status: M=Mandatory, R=Required, O=Optional, D=Dependent, A=Advised, N=Not used

## Segment Layout

### Heading section

No. Seg	St	Max. Occ.				
51	<b>SG2</b>	R 1	NAD-FII-SG3-SG5			
	<b>SG3</b>	O 1	RFF			
	<b>RFF</b>	M 1	Reference			
To specify a reference.						
Business Term	DE	EDIFACT	Format	St	*	Description
	C506	Reference		M		
	1153	Reference code qualifier	an..3	M	*	IT <b>Internal customer number</b>
<b>Internal customer number of suppliers system</b>	1154	Reference identifier	an..70	R		
<p>Segmentstatus: Optional</p> <p>The RFF segment following the NAD segment can specify the customer number of suppliers system.</p> <p>If no functional or organisational differences are necessary within one company only the GLN is used for communication purposes, if applicable the receiver links within the inhouse system. Additional identifications should be agreed only in those cases when different functional entities need to be distinguished at one location.</p> <p>Example: <b>RFF+IT:9988'</b> The internal customer number is 9988.</p>						

Max. Occ. = Maximum Occurrence, St = Status, \* = Restricted Codes  
 Status: M=Mandatory, R=Required, O=Optional, D=Dependent, A=Advised, N=Not used

## Segment Layout

### Heading section

No. Seg	St	Max. Occ.				
<b>SG2</b>	R	1	NAD-FII-SG3-SG5			
<b>SG5</b>	O	5	CTA-COM			
52	<b>CTA</b>	M	1	Contact information		
To identify a person or a department to whom communication should be directed.						
Business Term	DE	EDIFACT	Format	St	*	Description
Goods receiving place	3139	Contact function code	an..3	R		PD Purchasing contact
	C056	Department or employee details		O		
Purchasing contact department	3413	Department or employee name code	an..17	O		
Contact person delivery party	3412	Department or employee name	an..35	O		
Segmentstatus: Optional						
This segment is used to identify the department and/or person within the party specified in the NAD.						
Example: CTA+PD+AG-TI406:Herr Schmidt'						
Purchasing contact person is Mr. Schmidt.						

Max. Occ. = Maximum Occurrence, St = Status, \* = Restricted Codes  
 Status: M=Mandatory, R=Required, O=Optional, D=Dependent, A=Advised, N=Not used



## Segment Layout

### Heading section

No. Seg	St	Max. Occ.				
53	<b>SG2</b>	O 1	NAD-FII-SG3-SG5			
	<b>NAD</b>	M 1	Name and address			
To specify the name/address and their related function, either by C082 only and/or unstructured by C058 or structured by C080 thru 3207.						
Business Term	DE	EDIFACT	Format	St	*	Description
	3035	Party function code qualifier	an..3	M	*	PW <b>Despatch party</b>
	C082	Party identification details		D		
<b>Pick up place identification</b>	3039	Party identifier	an..35	M		Global Location Number - Format n13
	1131	Code list identification code	an..17	N		
	3055	Code list responsible agency code	an..3	R	*	9 <b>GS1</b>
	C058	Name and address		N		
	3124	Name and address description	an..35			
	C080	Party name		D		
<b>Pick up place Name 1</b>	3036	Party name	an..35	M		
<b>Pick up place Name 2</b>	3036	Party name	an..35	D		
<b>Pick up place Name 3</b>	3036	Party name	an..35	D		
	C059	Street		D		
<b>Pick up place street</b>	3042	Street and number or post office box identifier	an..35	M		
<b>Pick up place city/town</b>	3164	City name	an..35	D		
	C819	Country sub-entity details		D		
	3229	Country sub-entity name code	an..9	O		
<b>Pick up place postal code</b>	3251	Postal identification code	an..17	D		
	3207	Country name code	an..3	D		ISO 3166 two alpha code
Segmentstatus: Optional						
<p>The existence of this segment indicates the pick up of goods by a third party. The collection place is identified by Global Location Number (GLN). Party name and address in clear text may only be used, if a global Location Number (GLN) is not (yet) available.</p> <p>Example: NAD+PW+408987651111::9++Abholstelle-Name 1:Abholstelle-Name 2:Abholstelle-Name 3+  Maarweg 104+Köln++50825+DE'  The collection place is identified by GLN 408987651111.</p>						

Max. Occ. = Maximum Occurrence, St = Status, \* = Restricted Codes  
Status: M=Mandatory, R=Required, O=Optional, D=Dependent, A=Advised, N=Not used

## Segment Layout

### Heading section

No.	Seg	St	Max. Occ.	
	<b>SG2</b>	O	1	NAD-FII-SG3-SG5
	<b>SG3</b>	O	1	RFF
54	<b>RFF</b>	M	1	Reference

To specify a reference.

Business Term	DE	EDIFACT	Format	St	*	Description
	C506	Reference		M		
	1153	Reference code qualifier	an..3	M	*	YC1 Additional party identification (GS1 Temporary Code)
Pick up place additional identification	1154	Reference identifier	an..70	R		

Segmentstatus: Optional

The RFF segment following the NAD segment can specify an agreed additional identification.

If no functional or organisational differences are necessary within one company only the GLN is used for communication purposes, if applicable the receiver links within the inhouse system. Additional identifications should be agreed only in those cases when different functional entities need to be distinguished at one location.

Example: RFF+YC1:0816'

The additional identification is 0816.

Max. Occ. = Maximum Occurrence, St = Status, \* = Restricted Codes  
 Status: M=Mandatory, R=Required, O=Optional, D=Dependent, A=Advised, N=Not used

## Segment Layout

### Heading section

No. Seg	St	Max. Occ.				
<b>SG2</b>	O	1	NAD-FII-SG3-SG5			
<b>SG5</b>	O	5	CTA-COM			
55	<b>CTA</b>	M	1	Contact information		
To identify a person or a department to whom communication should be directed.						
Business Term	DE	EDIFACT	Format	St	*	Description
	3139	Contact function code	an..3	R		WH Warehouse
	C056	Department or employee details		O		
Warehouse contact	3413	Department or employee name code	an..17	O		
Contact person pick up place	3412	Department or employee name	an..35	O		
Segmentstatus: Optional						
This segment is used to identify the department and/or person within the party specified in the NAD.						
Example: CTA+WH+AG-TI406:Herr Schmidt'						
Purchasing contact person is Mr. Schmidt						

Max. Occ. = Maximum Occurrence, St = Status, \* = Restricted Codes  
 Status: M=Mandatory, R=Required, O=Optional, D=Dependent, A=Advised, N=Not used

## Segment Layout

### Heading section

No. Seg	St	Max. Occ.				
56	<b>SG2</b>	O 1	NAD-FII-SG3-SG5			
	<b>NAD</b>	M 1	Name and address			
To specify the name/address and their related function, either by C082 only and/or unstructured by C058 or structured by C080 thru 3207.						
Business Term	DE	EDIFACT	Format	St	*	Description
	3035	Party function code qualifier	an..3	M	*	UC <b>Ultimate consignee</b>
	C082	Party identification details		D		
<b>GLN of the ultimate consignee</b>	3039	Party identifier	an..35	M		Global Location Number (GLN) - Format n13
	1131	Code list identification code	an..17	N		
	3055	Code list responsible agency code	an..3	R	*	9 <b>GS1</b>
	C058	Name and address		N		
	3124	Name and address description	an..35			
	C080	Party name		D		
<b>Name 1 of the ultimate consignee</b>	3036	Party name	an..35	M		
<b>Name 2 of the ultimate consignee</b>	3036	Party name	an..35	D		
<b>Name 3 of the ultimate consignee</b>	3036	Party name	an..35	D		
	C059	Street		D		
<b>Street of ultimate consignee</b>	3042	Street and number or post office box identifier	an..35	M		
<b>Place of ultimate consignee - name of a city (town, village) for addressing purposes.</b>	3164	City name	an..35	D		
	C819	Country sub-entity details		D		
	3229	Country sub-entity name code	an..9	O		
<b>Postcode of ultimate consignee</b>	3251	Postal identification code	an..17	D		
	3207	Country name code	an..3	D		ISO 3166 two alpha code
Segmentstatus: Optional						
This NAD segment identifies the secondary delivery place.						
If the warehouse is the delivery party (DE 3035 = DP) and the consignment is addressed to a specific outlet, that outlet is identified as ultimate consignee.						

Max. Occ. = Maximum Occurrence, St = Status, \* = Restricted Codes

Status: M=Mandatory, R=Required, O=Optional, D=Dependent, A=Advised, N=Not used

## Segment Layout

---

### Heading section

The ultimate consignee is identified by GLN. Party name and address in clear text may only be used, if a GLN is not (yet) available.

Example: NAD+UC+4089876986411::9++Endempfänger-Name 1:Endempfänger-Name 2:Endempfänger-Name  
3+Maarweg 104+Köln++50825+DE'

The ultimate consignee is identified by GLN 4089876986411.

Max. Occ. = Maximum Occurrence, St = Status, \* = Restricted Codes  
Status: M=Mandatory, R=Required, O=Optional, D=Dependent, A=Advised, N=Not used

## Segment Layout

### Heading section

No. Seg	St	Max. Occ.	
<b>SG2</b>	O	1	NAD-FII-SG3-SG5
<b>SG3</b>	O	1	RFF
57 <b>RFF</b>	M	1	Reference

To specify a reference.

Business Term	DE	EDIFACT	Format	St	*	Description
	C506	Reference		M		
	1153	Reference code qualifier	an..3	M	*	YC1 Additional party identification (GS1 Temporary Code)
Ultimate consignee additional identification	1154	Reference identifier	an..70	R		

Segmentstatus: Optional

The RFF segment following the NAD segment can specify an agreed additional identification.

If no functional or organisational differences are necessary within one company only the GLN is used for communication purposes, if applicable the receiver links within the inhouse system. Additional identifications should be agreed only in those cases when different functional entities need to be distinguished at one location.

Example: RFF+YC1:0816'

The additional identification is 0816.

Max. Occ. = Maximum Occurrence, St = Status, \* = Restricted Codes  
 Status: M=Mandatory, R=Required, O=Optional, D=Dependent, A=Advised, N=Not used

## Segment Layout

### Heading section

No. Seg	St	Max. Occ.				
58	<b>SG2</b>	R 1	NAD-FII-SG3-SG5			
	<b>NAD</b>	M 1	Name and address			
To specify the name/address and their related function, either by C082 only and/or unstructured by C058 or structured by C080 thru 3207.						
Business Term	DE	EDIFACT	Format	St	*	Description
	3035	Party function code qualifier	an..3	M	*	SU <b>Supplier</b>
	C082	Party identification details		A		
<b>Supplier/issuer of invoice identification</b>	3039	Party identifier	an..35	M		Global Location Number (GLN) - Format n13
	1131	Code list identification code	an..17	N		
	3055	Code list responsible agency code	an..3	R	*	9 <b>GS1</b>
	C058	Name and address		O		This composite may only be used to fulfill the requirements of directive 2018/58/EG, article 4. If applicable the message sender gets the possibility to give the relevant statements at this place. If C058 ist not sufficient, more declaration can be given in following RFF+GN... segments.
	3124	Name and address description	an..35	M		
	3124	Name and address description	an..35	O		
	3124	Name and address description	an..35	O		
	3124	Name and address description	an..35	O		
	3124	Name and address description	an..35	O		
Segmentstatus: Mandatory						
The supplier/issuer of invoice is identified by GLN.						
Example: NAD+SU+4389876511113::9+ABC123:X:X:X:X'						
The supplier/issuer of invoice is identified by GLN 4389876511113.						

Max. Occ. = Maximum Occurrence, St = Status, \* = Restricted Codes  
 Status: M=Mandatory, R=Required, O=Optional, D=Dependent, A=Advised, N=Not used

## Segment Layout

### Heading section

No. Seg	St	Max. Occ.				
<b>SG2</b>	R	1	NAD-FII-SG3-SG5			
<b>SG3</b>	D	1	RFF			
59 <b>RFF</b>	M	1	Reference			
To specify a reference.						
Business Term	DE	EDIFACT	Format	St	*	Description
	C506	Reference		M		
	1153	Reference code qualifier	an..3	M	*	GN <b>Government reference number</b>
<b>Statements on business letters</b>	1154	Reference identifier	an..70	R		
Segmentstatus: Depending						
This RFF segment may only be used if the preceeding NAD has not enough space to fulfill the requirements of directive 2018/58/EG, article 4.						
Example: RFF+GN:HRB-471111'						
German statements on business letters: HRB-471111						

Max. Occ. = Maximum Occurrence, St = Status, \* = Restricted Codes  
 Status: M=Mandatory, R=Required, O=Optional, D=Dependent, A=Advised, N=Not used



## Segment Layout

### Heading section

No. Seg	St	Max. Occ.	
<b>SG2</b>	R	1	NAD-FII-SG3-SG5
<b>SG3</b>	O	1	RFF
<b>RFF</b>	M	1	Reference

60

To specify a reference.

Business Term	DE	EDIFACT	Format	St	*	Description
	C506	Reference		M		
	1153	Reference code qualifier	an..3	M	*	YC1 Additional party identification (GS1 Temporary Code)
Suppliers additional identification	1154	Reference identifier	an..70	R		

Segmentstatus: Optional

The RFF segment following the NAD segment can specify an agreed additional identification.

If no functional or organisational differences are necessary within one company only the GLN is used for communication purposes, if applicable the receiver links within the inhouse system. Additional identifications should be agreed only in those cases when different functional entities need to be distinguished at one location.

Example: RFF+YC1:0817'

The additional identification is 0817.

Max. Occ. = Maximum Occurrence, St = Status, \* = Restricted Codes  
 Status: M=Mandatory, R=Required, O=Optional, D=Dependent, A=Advised, N=Not used

## Segment Layout

### Heading section

No. Seg	St	Max. Occ.				
<b>SG2</b>	R	1	NAD-FII-SG3-SG5			
<b>SG3</b>	D	1	RFF			
61 <b>RFF</b>	M	1	Reference			
To specify a reference.						
Business Term	DE	EDIFACT	Format	St	*	Description
	C506	Reference		M		
	1153	Reference code qualifier	an..3	M	*	VA VAT registration number
Supplier/issuer of invoice VAT registration number	1154	Reference identifier	an..70	R		
<p>Segmentstatus: Depending, either VAT registration number or fiscal tax number are mandatory in Germany.</p> <p>The RFF segment following the NAD segment must specify the tax number.</p> <p>Example: RFF+VA:DE101010' The VAT registration number is DE101010.</p>						

Max. Occ. = Maximum Occurrence, St = Status, \* = Restricted Codes  
 Status: M=Mandatory, R=Required, O=Optional, D=Dependent, A=Advised, N=Not used

## Segment Layout

### Heading section

No. Seg	St	Max. Occ.				
<b>SG2</b>	R	1	NAD-FII-SG3-SG5			
<b>SG3</b>	D	1	RFF			
62 <b>RFF</b>	M	1	Reference			
To specify a reference.						
Business Term	DE	EDIFACT	Format	St	*	Description
	C506	Reference		M		
	1153	Reference code qualifier	an..3	M	*	FC Fiscal number
Supplier/issuer of invoice fiscal tax number	1154	Reference identifier	an..70	R		
<p>Segmentstatus: Depending, either VAT registration number or fiscal tax number are mandatory in Germany.</p> <p>The RFF segment following the NAD segment must specify the tax number.</p> <p>Example: RFF+FC:07/408/1234/5'</p> <p>The fiscal tax number is 07/408/1234/5.</p>						

Max. Occ. = Maximum Occurrence, St = Status, \* = Restricted Codes  
 Status: M=Mandatory, R=Required, O=Optional, D=Dependent, A=Advised, N=Not used

## Segment Layout

### Heading section

No. Seg	St	Max. Occ.				
63	<b>SG2</b>	O 1	NAD-FII-SG3-SG5			
	<b>NAD</b>	M 1	Name and address To specify the name/address and their related function, either by C082 only and/or unstructured by C058 or structured by C080 thru 3207.			
Business Term	DE	EDIFACT	Format	St	*	Description
	3035	Party function code qualifier	an..3	M	*	PE <b>Payee</b>
	C082	Party identification details		A		
<b>Payees identification</b>	3039	Party identifier	an..35	M		Global Location Number (GLN) - Format n13
	1131	Code list identification code	an..17	N		
	3055	Code list responsible agency code	an..3	R	*	9 <b>GS1</b>
Segmentstatus: Optional						
The payee is identified by GLN if not identical with supplier/issuer of invoice.						
Example: <b>NAD+PE+4389876512643::9'</b> The payee is identified by GLN 4389876512643.						

Max. Occ. = Maximum Occurrence, St = Status, \* = Restricted Codes  
Status: M=Mandatory, R=Required, O=Optional, D=Dependent, A=Advised, N=Not used

## Segment Layout

### Heading section

No. Seg	St	Max. Occ.	
<b>SG2</b>	O	1	NAD-FII-SG3-SG5
<b>SG3</b>	O	1	RFF
64 <b>RFF</b>	M	1	Reference

To specify a reference.

Business Term	DE	EDIFACT	Format	St	*	Description
	C506	Reference		M		
	1153	Reference code qualifier	an..3	M	*	YC1 Additional party identification (GS1 Temporary Code)
Payees additional identification	1154	Reference identifier	an..70	R		

Segmentstatus: Optional

The RFF segment following the NAD segment can specify an agreed additional identification.

If no functional or organisational differences are necessary within one company only the GLN is used for communication purposes, if applicable the receiver links within the inhouse system. Additional identifications should be agreed only in those cases when different functional entities need to be distinguished at one location.

Example: RFF+YC1:0817'

The additional identification is 0817.

Max. Occ. = Maximum Occurrence, St = Status, \* = Restricted Codes  
 Status: M=Mandatory, R=Required, O=Optional, D=Dependent, A=Advised, N=Not used

## Segment Layout

### Heading section

No. Seg	St	Max. Occ.				
<b>SG2</b>	O	1	NAD-FII-SG3-SG5			
<b>SG3</b>	O	1	RFF			
65 <b>RFF</b>	M	1	Reference			
To specify a reference.						
Business Term	DE	EDIFACT	Format	St	*	Description
	C506	Reference		M		
	1153	Reference code qualifier	an..3	M	*	VA VAT registration number FC Fiscal number
Payees (VA)Tax registration number	1154	Reference identifier	an..70	R		
Segmentstatus: Optional						
The RFF segment following the NAD segment can specify a (VA)Tax registration number.						
Example: RFF+VA:DE101010'						
The VAT registration number is DE101010.						

Max. Occ. = Maximum Occurrence, St = Status, \* = Restricted Codes  
 Status: M=Mandatory, R=Required, O=Optional, D=Dependent, A=Advised, N=Not used

## Segment Layout

### Heading section

No. Seg	St	Max. Occ.				
66	<b>SG2</b>	O 1	NAD-FII-SG3-SG5			
	<b>NAD</b>	M 1	Name and address			
To specify the name/address and their related function, either by C082 only and/or unstructured by C058 or structured by C080 thru 3207.						
Business Term	DE	EDIFACT	Format	St	*	Description
	3035	Party function code qualifier	an..3	M	*	DS <b>Distributor</b>
	C082	Party identification details		A		
<b>Distributor of goods</b>	3039	Party identifier	an..35	M		Global Location Number (GLN) - Format n13
	1131	Code list identification code	an..17	N		
	3055	Code list responsible agency code	an..3	R	*	9 <b>GS1</b>
Segmentstatus: Optional						
The distributor is identified by GLN if not identical with issuer of invoice (SU).						
Example: <b>NAD+DS+4389876511893::9'</b>						
The distributor is identified by GLN 4389876511893.						

Max. Occ. = Maximum Occurrence, St = Status, \* = Restricted Codes  
 Status: M=Mandatory, R=Required, O=Optional, D=Dependent, A=Advised, N=Not used

## Segment Layout

### Heading section

No. Seg	St	Max. Occ.	
<b>SG2</b>	O	1	NAD-FII-SG3-SG5
<b>SG3</b>	O	1	RFF
67 <b>RFF</b>	M	1	Reference

To specify a reference.

Business Term	DE	EDIFACT	Format	St	*	Description
	C506	Reference		M		
	1153	Reference code qualifier	an..3	M	*	YC1 Additional party identification (GS1 Temporary Code)
Distributors additional identification	1154	Reference identifier	an..70	R		

Segmentstatus: Optional

The RFF segment following the NAD segment can specify an agreed additional identification.

If no functional or organisational differences are necessary within one company only the GLN is used for communication purposes, if applicable the receiver links within the inhouse system. Additional identifications should be agreed only in those cases when different functional entities need to be distinguished at one location.

Example: RFF+YC1:0822'

The additional identification is 0822.

Max. Occ. = Maximum Occurrence, St = Status, \* = Restricted Codes  
 Status: M=Mandatory, R=Required, O=Optional, D=Dependent, A=Advised, N=Not used



## Segment Layout

### Heading section

No. Seg	St	Max. Occ.				
68	<b>SG6</b>	R 1	TAX-MOA			
	<b>TAX</b>	M 1	Duty/tax/fee details			
To specify relevant duty/tax/fee information.						
Business Term	DE	EDIFACT	Format	St	*	Description
	5283	Duty or tax or fee function code qualifier	an..3	M	*	7 Tax
	C241	Duty/tax/fee type		D		
Value added tax on document level	5153	Duty or tax or fee type name code	an..3	O	*	VAT Value added tax
	1131	Code list identification code	an..17	O		
	3055	Code list responsible agency code	an..3	D		
	5152	Duty or tax or fee type name	an..35	O		
	C533	Duty/tax/fee account detail		O		
	5289	Duty or tax or fee account code	an..6	M		
	1131	Code list identification code	an..17	O		
	3055	Code list responsible agency code	an..3	D		
	5286	Duty or tax or fee assessment basis value	an..15	O		
	C243	Duty/tax/fee detail		A		
	5279	Duty or tax or fee rate code	an..7	O		
	1131	Code list identification code	an..17	O		
	3055	Code list responsible agency code	an..3	D		
	5278	Duty or tax or fee rate	an..17	R		Actual tax rate
	5273	Duty or tax or fee rate basis code	an..12	O		
	1131	Code list identification code	an..17	O		
	3055	Code list responsible agency code	an..3	D		
	5305	Duty or tax or fee category code	an..3	R		E Exempt from tax S Standard rate O Services outside scope of tax

Segmentstatus: Mandatory

The main tax rate is indicated here in the heading section of the message. Should the occasion arise different tax rates are indicated on detail level.

Note to DE 5278 and 5305: if the business volume is free of tax, DE 5278 must contain 0 (zero).

Max. Occ. = Maximum Occurrence, St = Status, \* = Restricted Codes

Status: M=Mandatory, R=Required, O=Optional, D=Dependent, A=Advised, N=Not used

## Segment Layout

---

### Heading section

Example: TAX+7+VAT+ABC123++:::19+S'

The dominant tax rate of the document is 19%.

## Segment Layout

### Heading section

No. Seg	St	Max. Occ.				
69	<b>SG7</b>	R 1	CUX-DTM			
	<b>CUX</b>	M 1	Currencies			
To specify currencies used in the transaction and relevant details for the rate of exchange.						
Business Term	DE	EDIFACT	Format	St	*	Description
	C504	Currency details		R		
	6347	Currency usage code qualifier	an..3	M	*	2 Reference currency
Currency	6345	Currency identification code	an..3	R		ISO 4217 three alpha
	6343	Currency type code qualifier	an..3	R	*	4 Invoicing currency
	6348	Currency rate value	n..4	N		
	C504	Currency details		D		
	6347	Currency usage code qualifier	an..3	M	*	3 Target currency
	6345	Currency identification code	an..3	R		ISO 4217 three alpha
	6343	Currency type code qualifier	an..3	R	*	4 Invoicing currency
	6348	Currency rate value	n..4	N		
Rate of exchange	5402	Currency exchange rate	n..12	D		

Segmentstatus: Mandatory

Indication of currency is mandatory.

When specifying Reference and Target Currencies for international trade, one occurrence of CUX is all that is required. The reference currency is identified in the first occurrence of composite C504, with the target currency specified in the second occurrence of C504. The rate of exchange between the two is detailed in DE 5402.

Example: CUX+2:EUR:4+3:USD:4+0.90243'

The document has been invoiced in EURO.

Max. Occ. = Maximum Occurrence, St = Status, \* = Restricted Codes  
 Status: M=Mandatory, R=Required, O=Optional, D=Dependent, A=Advised, N=Not used

## Segment Layout

### Heading section

No. Seg	St	Max. Occ.				
70	<b>SG8</b>	O 1	PAT-DTM-PCD-MOA-PAI-FII			
	<b>PAT</b>	M 1	Payment terms basis To specify the payment terms basis.			
Notes:						
1. This segment will be removed effective with directory D.02B.						
Business Term	DE	EDIFACT	Format	St	*	Description
Payment terms 1	4279	Payment terms type code qualifier	an..3	M	*	3 Fixed date
Segmentstatus: Optional						
This segment group PAT-DTM is used to indicate terms net due date without deduction.						
Example: PAT+3'						
Due date:						

Max. Occ. = Maximum Occurrence, St = Status, \* = Restricted Codes  
 Status: M=Mandatory, R=Required, O=Optional, D=Dependent, A=Advised, N=Not used

## Segment Layout

### Heading section

No. Seg	St	Max. Occ.				
71	<b>SG8</b>	O 1	PAT-DTM-PCD-MOA-PAI-FII			
	<b>DTM</b>	O 1	Date/time/period To specify date, and/or time, or period.			
Business Term	DE	EDIFACT	Format	St	*	Description
	C507	Date/time/period		M		
	2005	Date or time or period function code qualifier	an..3	M	*	13 <b>Terms net due date</b>
<b>Due date without deduction</b>	2380	Date or time or period value	an..35	R		
	2379	Date or time or period format code	an..3	R		102 CCYYMMDD
<p>Segmentstatus: Optional</p> <p>Due date when settlement is without deduction, e.g. when direct debit is agreed.</p> <p>(Due date is to be understood as the entry date of direct debit at the first bank)</p> <p>Example: DTM+13:20180315:102' Invoice is due on 15.03.2018.</p>						

Max. Occ. = Maximum Occurrence, St = Status, \* = Restricted Codes  
 Status: M=Mandatory, R=Required, O=Optional, D=Dependent, A=Advised, N=Not used

## Segment Layout

### Heading section

No. Seg	St	Max. Occ.				
72	<b>SG8</b>	O 1	PAT-DTM-PCD-MOA-PAI-FII			
	<b>PAT</b>	M 1	Payment terms basis To specify the payment terms basis.			
Notes:						
1. This segment will be removed effective with directory D.02B.						
Business Term	DE	EDIFACT	Format	St	*	Description
Payment terms 1	4279	Payment terms type code qualifier	an..3	M	*	3 Fixed date
Segmentstatus: Optional						
This segment group PAT-DTM-PCD-MOA is only be used, if there is a Optional offer, that is not substracted by the issuer of the invoice. If early payment allowance is deducted within the invoice, segment group 16 needs to be used.						
Example: PAT+3' Payment terms:						

Max. Occ. = Maximum Occurrence, St = Status, \* = Restricted Codes  
 Status: M=Mandatory, R=Required, O=Optional, D=Dependent, A=Advised, N=Not used

## Segment Layout

### Heading section

No. Seg	St	Max. Occ.				
73	<b>SG8</b>	O 1	PAT-DTM-PCD-MOA-PAI-FII			
	<b>DTM</b>	O 1	Date/time/period To specify date, and/or time, or period.			
Business Term	DE	EDIFACT	Format	St	*	Description
	C507	Date/time/period		M		
	2005	Date or time or period function code qualifier	an..3	M	*	12 <b>Terms discount due date/time</b>
<b>Terms discount due date</b>	2380	Date or time or period value	an..35	R		
	2379	Date or time or period format code	an..3	R		102 CCYYMMDD
<p>Segmentstatus: Optional</p> <p>This segment is used to specify any dates associated with the payment terms for the invoice.</p> <p>Example: <b>DTM+12:20180412:102'</b>                      Terms discount due date is 12.04.2018.</p>						

Max. Occ. = Maximum Occurrence, St = Status, \* = Restricted Codes  
 Status: M=Mandatory, R=Required, O=Optional, D=Dependent, A=Advised, N=Not used

## Segment Layout

### Heading section

No. Seg	St	Max. Occ.				
74	<b>SG8</b>	O 1	PAT-DTM-PCD-MOA-PAI-FII			
	<b>PCD</b>	O 1	Percentage details To specify percentage information.			
Business Term	DE	EDIFACT	Format	St	*	Description
	C501	Percentage details		M		
	5245	Percentage type code qualifier	an..3	M	*	12 <b>Discount</b>
<b>Rate of early payment allowance</b>	5482	Percentage	n..10	R		
Segmentstatus: Optional						
This segment is used to specify percentages which will be allowed or charged.						
Example: <b>PCD+12:2.5'</b> 2.5% early payment allowance are offered						

Max. Occ. = Maximum Occurrence, St = Status, \* = Restricted Codes  
 Status: M=Mandatory, R=Required, O=Optional, D=Dependent, A=Advised, N=Not used



## Segment Layout

### Heading section

No. Seg	St	Max. Occ.				
75	<b>SG8</b>	O 1	PAT-DTM-PCD-MOA-PAI-FII			
	<b>MOA</b>	O 1	Monetary amount To specify a monetary amount.			
Business Term	DE	EDIFACT	Format	St	*	Description
	C516	Monetary amount		M		
	5025	Monetary amount type code qualifier	an..3	M	*	8 Allowance or charge amount
Monetary value of early payment allowance	5004	Monetary amount	n..35	R		Current value being charged/ discounted
Segmentstatus: Optional						
This segment is used to specify monetary values which will be allowed or charged.						
Example: MOA+8: 2.52' Early payment allowance is 2.52 EURO.						

Max. Occ. = Maximum Occurrence, St = Status, \* = Restricted Codes  
 Status: M=Mandatory, R=Required, O=Optional, D=Dependent, A=Advised, N=Not used

## Segment Layout

### Heading section

No. Seg	St	Max. Occ.				
76	<b>SG8</b>	O 1	PAT-DTM-PCD-MOA-PAI-FII			
	<b>PAT</b>	M 1	Payment terms basis To specify the payment terms basis.			
Notes: 1. This segment will be removed effective with directory D.02B.						
Business Term	DE	EDIFACT	Format	St	*	Description
Payment terms 2	4279	Payment terms type code qualifier	an..3	M	*	3 Fixed date
Segmentstatus: Optional						
This segment group PAT-DTM is only used to indicate value date.						
Example: PAT+3' Value date:						

Max. Occ. = Maximum Occurrence, St = Status, \* = Restricted Codes  
Status: M=Mandatory, R=Required, O=Optional, D=Dependent, A=Advised, N=Not used

## Segment Layout

### Heading section

No. Seg	St	Max. Occ.				
77	<b>SG8</b>	O 1	PAT-DTM-PCD-MOA-PAI-FII			
	<b>DTM</b>	O 1	Date/time/period To specify date, and/or time, or period.			
Business Term	DE	EDIFACT	Format	St	*	Description
	C507	Date/time/period		M		
	2005	Date or time or period function code qualifier	an..3	M	*	209 Value date
Value date	2380	Date or time or period value	an..35	R		
	2379	Date or time or period format code	an..3	R		102 CCYYMMDD
Segmentstatus: Optional						
This segment is used to specify any dates associated with the payment terms for the invoice.						
Example: DTM+209:20180412:102'						
The value date is 12.04.2018.						

Max. Occ. = Maximum Occurrence, St = Status, \* = Restricted Codes  
 Status: M=Mandatory, R=Required, O=Optional, D=Dependent, A=Advised, N=Not used

## Segment Layout

### Heading section

No. Seg	St	Max. Occ.				
78	<b>SG16</b>	O 9999	ALC-SG18-SG19-SG20-SG21-SG22			
	<b>ALC</b>	M 1	Allowance or charge To identify allowance or charge details.			
Business Term	DE	EDIFACT	Format	St	*	Description
	5463	Allowance or charge code qualifier	an..3	M		A Allowance C Charge
	C552	Allowance/charge information		O		
Type of allowance or charge	1230	Allowance or charge identifier	an..35	D		The use of this dataelement has to be agreed mutually between the trading partners.
	5189	Allowance or charge identification code	an..3	N		
	4471	Settlement means code	an..3	N		
	1227	Calculation sequence code	an..3	R		1 First step of calculation 2 Second step of calculation etc, etc, etc, 9 Ninth step of calculation
	C214	Special services identification		D		
	7161	Special service description code	an..3	R		AA Advertising allowance Advertising (document) DI Discount Discount (document) EAB Early payment allowance Early payment allowance (document) FC Freight charge Freight (document) IN Insurance Insurance (document) MAC Minimum order/ minimum billing charge Minimum quantity charge (dokument) NAA Non-returnable containers Waste management allowance (document)

Max. Occ. = Maximum Occurrence, St = Status, \* = Restricted Codes

Status: M=Mandatory, R=Required, O=Optional, D=Dependent, A=Advised, N=Not used

## Segment Layout

### Heading section

Business Term	DE	EDIFACT	Format	St	*	Description
						RAA Rebate Rebate i.e. Bonus (document) SH Special handling service Price labelling (document) CRS Collection and recycling service (GS1_DE code) Collection and recycling service (document) BON Direct bonus (GS1_DE code) Direct bous (document)
	1131	Code list identification code	an..17	N		
	3055	Code list responsible agency code	an..3	D		246 GS1 Germany Must be used if DE7161 contains no EDIFACT Code.

Segmentstatus: Optional

One segment group 16 has to be used for each discount on document level. Segment group 16 must also be used, if early payment discount is deducted from invoice.

The use of MOA segment in SG 20 is mandatory to avoid calculation differences.

Allowances and charges in the heading section of a message are independent from those in the detail section, e.g. ALC at detail level does not override ALC at heading level.

Example: `ALC+A+Absprache++1+DI::246'`  
Proforma invoice discount

Max. Occ. = Maximum Occurrence, St = Status, \* = Restricted Codes  
Status: M=Mandatory, R=Required, O=Optional, D=Dependent, A=Advised, N=Not used

## Segment Layout

### Heading section

No. Seg	St	Max. Occ.				
79	<b>SG16</b>	O 9999	ALC-SG18-SG19-SG20-SG21-SG22			
	<b>SG18</b>	O 1	QTY			
	<b>QTY</b>	M 1	Quantity			
	To specify a pertinent quantity.					
Business Term	DE	EDIFACT	Format	St	*	Description
	C186	Quantity details		M		
	6063	Quantity type code qualifier	an..3	M		1 Discrete quantity
Allowance or charge quantity	6060	Quantity	an..35	M		Note: Use only numeric values.
	6411	Measurement unit code	an..3	D		(e.g. one single cigarette) All code values from EANCOM odelist 6411 available
<p>Segmentstatus: Optional</p> <p>This segment is used to specify any quantity discounts or charges for the current ALC segment group.</p> <p>DE 6411 is only used, if the article is a variable quantity article. Default value is piece.</p> <p>Example: QTY+1:152' 152 pieces</p>						

Max. Occ. = Maximum Occurrence, St = Status, \* = Restricted Codes  
 Status: M=Mandatory, R=Required, O=Optional, D=Dependent, A=Advised, N=Not used

## Segment Layout

### Heading section

No. Seg	St	Max. Occ.				
<b>SG16</b>	O	9999	ALC-SG18-SG19-SG20-SG21-SG22			
<b>SG19</b>	O	1	PCD			
80 <b>PCD</b>	M	1	Percentage details To specify percentage information.			
Business Term	DE	EDIFACT	Format	St	*	Description
	C501	Percentage details		M		
	5245	Percentage type code qualifier	an..3	M	*	3 Allowance or charge
Percentage discount (document)	5482	Percentage	n..10	R		
<p>Segmentstatus: Optional</p> <p>This segment is used to specify any percentage discounts or charges for the current ALC segment group. If percentage discounts or charges are used, a MOA segment (DE 5025 = 8) containing the monetary value must follow.</p> <p>Example: PCD+3:2.75' 2.75%</p>						

Max. Occ. = Maximum Occurrence, St = Status, \* = Restricted Codes  
 Status: M=Mandatory, R=Required, O=Optional, D=Dependent, A=Advised, N=Not used

## Segment Layout

### Heading section

No. Seg	St	Max. Occ.				
<b>SG16</b>	O	9999	ALC-SG18-SG19-SG20-SG21-SG22			
<b>SG20</b>	O	1	MOA			
81 <b>MOA</b>	M	1	Monetary amount			
To specify a monetary amount.						
Business Term	DE	EDIFACT	Format	St	*	Description
	C516	Monetary amount		M		
	5025	Monetary amount type code qualifier	an..3	M	*	25 Charge/allowance basis
Basis amount allowance/charge (document level)	5004	Monetary amount	n..35	R		
Segmentstatus: Optional						
This segment is used to provide the basis amount to calculate an allowance or charge.						
Example: MOA+25:108'						
Basis amount = 108 EURO						

Max. Occ. = Maximum Occurrence, St = Status, \* = Restricted Codes  
 Status: M=Mandatory, R=Required, O=Optional, D=Dependent, A=Advised, N=Not used



## Segment Layout

### Heading section

No. Seg	St	Max. Occ.				
<b>SG16</b>	O	9999	ALC-SG18-SG19-SG20-SG21-SG22			
<b>SG20</b>	R	1	MOA			
82 <b>MOA</b>	M	1	Monetary amount			
To specify a monetary amount.						
Business Term	DE	EDIFACT	Format	St	*	Description
	C516	Monetary amount		M		
	5025	Monetary amount type code qualifier	an..3	M	*	8 Allowance or charge amount
Discount amount (document)	5004	Monetary amount	n..35	R		
Segmentstatus: mandatory						
This segment is used to specify any monetary discounts or charges for the current ALC segment group.						
Example: MOA+8:2.97' equals 2.97 EURO						

Max. Occ. = Maximum Occurrence, St = Status, \* = Restricted Codes  
 Status: M=Mandatory, R=Required, O=Optional, D=Dependent, A=Advised, N=Not used

## Segment Layout

### Heading section

No. Seg	St	Max. Occ.				
<b>SG16</b>	O	9999	ALC-SG18-SG19-SG20-SG21-SG22			
<b>SG21</b>	O	1	RTE			
83 <b>RTE</b>	M	1	Rate details			
To specify rate information.						
Business Term	DE	EDIFACT	Format	St	*	Description
	C128	Rate details		M		
	5419	Rate type code qualifier	an..3	M	*	1 Allowance rate 2 Charge rate
Allowance or charge rate	5420	Unit price basis rate	n..15	M		Used to identify the monetary value
	5284	Unit price basis value	n..9	O		Quantity for the effective rate
	6411	Measurement unit code	an..3	D		H87 Piece (Old code value: PCE)
Segmentstatus: Optional						
This segment is used to specify rate discounts or charges for the current ALC segment group.						
Example: RTE+1:500:100:H87'						
Rate: 500 EURO per 100 pieces						

Max. Occ. = Maximum Occurrence, St = Status, \* = Restricted Codes  
 Status: M=Mandatory, R=Required, O=Optional, D=Dependent, A=Advised, N=Not used

## Segment Layout

### Heading section

No. Seg	St	Max. Occ.				
<b>SG16</b>	O	9999	ALC-SG18-SG19-SG20-SG21-SG22			
<b>SG22</b>	D	5	TAX-MOA			
84 <b>TAX</b>	M	1	Duty/tax/fee details			
To specify relevant duty/tax/fee information.						
Business Term	DE	EDIFACT	Format	St	*	Description
	5283	Duty or tax or fee function code qualifier	an..3	M	*	7 Tax
	C241	Duty/tax/fee type		D		
Allocation allowance/charge:VAT rate	5153	Duty or tax or fee type name code	an..3	O	*	VAT Value added tax
	1131	Code list identification code	an..17	O		
	3055	Code list responsible agency code	an..3	D		
	5152	Duty or tax or fee type name	an..35	O		
	C533	Duty/tax/fee account detail		O		
	5289	Duty or tax or fee account code	an..6	M		
	1131	Code list identification code	an..17	O		
	3055	Code list responsible agency code	an..3	D		
	5286	Duty or tax or fee assessment basis value	an..15	O		
	C243	Duty/tax/fee detail		A		
	5279	Duty or tax or fee rate code	an..7	O		
	1131	Code list identification code	an..17	O		
	3055	Code list responsible agency code	an..3	D		
	5278	Duty or tax or fee rate	an..17	R		The actual rate of tax/duty
	5273	Duty or tax or fee rate basis code	an..12	O		
	1131	Code list identification code	an..17	O		
	3055	Code list responsible agency code	an..3	D		
	5305	Duty or tax or fee category code	an..3	R		E Exempt from tax S Standard rate O Services outside scope of tax
Segmentstatus: Depending, indication is mandatory, if the proforma invoice contains more than one tax rate.						
This segment is used to show to which tax rate the allowances and charges are allocated.						

Max. Occ. = Maximum Occurrence, St = Status, \* = Restricted Codes

Status: M=Mandatory, R=Required, O=Optional, D=Dependent, A=Advised, N=Not used

## Segment Layout

---

### Heading section

Note to DE 5278 and 5305: if the business volume is free of tax, DE 5278 must contain 0 (zero).

Example: TAX+7+VAT+ABC123++:::19+S'

Discount on invoice level is related to the part of the invoice, which is taxed with 19%.

Max. Occ. = Maximum Occurrence, St = Status, \* = Restricted Codes

Status: M=Mandatory, R=Required, O=Optional, D=Dependent, A=Advised, N=Not used

## Segment Layout

### 1.Detail section - invoiced unit

No. Seg	St	Max. Occ.				
85	<b>SG26</b>	R 9999999	LIN-PIA-IMD-MEA-QTY-ALI-DTM-GIN-QVR-FTX-SG27-SG28-SG29-SG30-SG31-SG33-SG34-SG35-SG39-SG45-SG47			
	<b>LIN</b>	M 1	Line item To identify a line item and configuration.			
Business Term	DE	EDIFACT	Format	St	*	Description
Main part of detail section	1082	Line item identifier	an..6	R		Application generated number of the item lines within the proforma invoice
	1229	Action request/ notification description code	an..3	N		
	C212	Item number identification		D		
GTIN- Article identification	7140	Item identifier	an..35	R		GTIN, Format n..14
	7143	Item type identification code	an..3	R	*	SRV <b>GS1 Global Trade Item Number</b>
Segmentstatus: Mandatory						
This segment is used to indicate the beginning of the detail section of the proforma invoice message. It contains the GTIN of the invoiced unit.						
Note for credit notes related to financial adjustments						
If credit notes related to financial adjustments are transmitted without a correction of accounted quantities, segments QTY and PRI are not used. If necessary, a negative sign is used in the MOA segment. At the same time DE 7140 in LIN segment is filled with a dummy-GTIN, made up by the manufacturer number of the supplier. If that is not possible (supplier has got a 13-digit GLN) GTIN 4012345001020 is used. In that case a bilaterally agreement is necessary between the trading partners.						
Example: LIN+1++4000862141404:SRV'						
The invoiced article is identified by GTIN 4000862141404.						

Max. Occ. = Maximum Occurrence, St = Status, \* = Restricted Codes  
 Status: M=Mandatory, R=Required, O=Optional, D=Dependent, A=Advised, N=Not used

### Segment Layout

1.Detail section - invoiced unit

No. Seg	St	Max. Occ.				
86	<b>SG26</b>	R	9999999	LIN-PIA-IMD-MEA-QTY-ALI-DTM-GIN-QVR-FTX-SG27-SG28-SG29-SG30-SG31-SG33-SG34-SG35-SG39-SG45-SG47		
	<b>PIA</b>	D	1	Additional product id To specify additional or substitutional item identification codes.		
Business Term	DE	EDIFACT	Format	St	*	Description
	4347	Product identifier code qualifier	an..3	M	*	5 Product identification
	C212	Item number identification		M		
Suppliers article number	7140	Item identifier	an..35	R		
	7143	Item type identification code	an..3	R	*	SA Supplier's article number
	1131	Code list identification code	an..17	N		
	3055	Code list responsible agency code	an..3	R	*	91 Assigned by supplier or supplier's agent
<p>Segmentstatus: Mandatory, if LIN segment does not provide a GTIN, otherwise segment is not used.</p> <p>This segment is only used, if LIN segment does not provide a GTIN. It than must follow the LIN segment immediatly. In this case LIN segment (mandatory) only provides the line item number. Identification of the article is done by use of the suppliers article number in this PIA segment, DE 4347 is filled with "5" for primary identification.</p> <p>Example: PIA+5+ABC5343:SA: :91'</p> <p>Only if LIN does not provide GTIN: Articleidentification in PIA</p>						

Max. Occ. = Maximum Occurrence, St = Status, \* = Restricted Codes  
 Status: M=Mandatory, R=Required, O=Optional, D=Dependent, A=Advised, N=Not used

## Segment Layout

### 1.Detail section - invoiced unit

No. Seg	St	Max. Occ.				
<b>SG26</b>	R	9999999	LIN-PIA-IMD-MEA-QTY-ALI-DTM-GIN-QVR-FTX-SG27-SG28-SG29-SG30-SG31-SG33-SG34-SG35-SG39-SG45-SG47			
87	<b>PIA</b>	R 1	Additional product id To specify additional or substitutional item identification codes.			
Business Term	DE	EDIFACT	Format	St	*	Description
	4347	Product identifier code qualifier	an..3	M	*	1 Additional identification
	C212	Item number identification		M		
Suppliers internal article number	7140	Item identifier	an..35	R		
	7143	Item type identification code	an..3	R	*	SA Supplier's article number
	1131	Code list identification code	an..17	N		
	3055	Code list responsible agency code	an..3	R	*	91 Assigned by supplier or supplier's agent
	C212	Item number identification		O		
Buyers internal article number	7140	Item identifier	an..35	R		
	7143	Item type identification code	an..3	R	*	IN Buyer's item number
	1131	Code list identification code	an..17	N		
	3055	Code list responsible agency code	an..3	R	*	92 Assigned by buyer or buyer's agent
	C212	Item number identification		O		
Article group code	7140	Item identifier	an..35	R		
	7143	Item type identification code	an..3	R	*	GN National product group code
	1131	Code list identification code	an..17	N		
	3055	Code list responsible agency code	an..3	R	*	246 GS1 Germany
	C212	Item number identification		O		
Serial number	7140	Item identifier	an..35	R		
	7143	Item type identification code	an..3	R	*	SN Serial number
	1131	Code list identification code	an..17	O		
	3055	Code list responsible agency code	an..3	R	*	91 Assigned by supplier or

Max. Occ. = Maximum Occurrence, St = Status, \* = Restricted Codes

Status: M=Mandatory, R=Required, O=Optional, D=Dependent, A=Advised, N=Not used

## Segment Layout

### 1.Detail section - invoiced unit

Business Term	DE	EDIFACT	Format	St	*	Description
						supplier's agent
<p>Segmentstatus: Mandatory to provide suppliers article number, all other information are optional.</p> <p>This segment is used to specify additional item identification codes such as a buyer's or supplier's item number.</p> <p>Example: PIA+1+ABC5343:SA: :91+XYZ987:IN: :92+1111:GN: :246+0815:SN: :91'</p> <p>Suppliers internal article number ABC5343, Buyers article number XYZ987, Article Group number 1111, Serial number 0815.</p>						

Max. Occ. = Maximum Occurrence, St = Status, \* = Restricted Codes  
 Status: M=Mandatory, R=Required, O=Optional, D=Dependent, A=Advised, N=Not used



## Segment Layout

### 1.Detail section - invoiced unit

No. Seg	St	Max. Occ.				
<b>SG26</b>	R	9999999	LIN-PIA-IMD-MEA-QTY-ALI-DTM-GIN-QVR-FTX-SG27-SG28-SG29-SG30-SG31-SG33-SG34-SG35-SG39-SG45-SG47			
88	<b>PIA</b>	O 1	Additional product id To specify additional or substitutional item identification codes.			
Business Term	DE	EDIFACT	Format	St	*	Description
	4347	Product identifier code qualifier	an..3	M	*	1 <b>Additional identification</b>
	C212	Item number identification		M		
<b>Batch number</b>	7140	Item identifier	an..35	R		
	7143	Item type identification code	an..3	R	*	NB <b>Batch number</b>
	1131	Code list identification code	an..17	N		
	3055	Code list responsible agency code	an..3	R	*	91 <b>Assigned by supplier or supplier's agent</b>
	C212	Item number identification		O		
<b>Harmonised system</b>	7140	Item identifier	an..35	R		
	7143	Item type identification code	an..3	R	*	HS <b>Harmonised system</b>
	1131	Code list identification code	an..17	N		
	3055	Code list responsible agency code	an..3	N		
	C212	Item number identification		O		
<b>Articles promotional variant</b>	7140	Item identifier	an..35	R		
	7143	Item type identification code	an..3	R	*	PV <b>Promotional variant number</b>
	1131	Code list identification code	an..17	N		
	3055	Code list responsible agency code	an..3	R		9 GS1 91 Assigned by supplier or supplier's agent 92 Assigned by buyer or buyer's agent
	C212	Item number identification		O		
<b>Number of waste type</b>	7140	Item identifier	an..35	O		
	7143	Item type identification code	an..3	R	*	EWC <b>European Waste Catalogue (GS1 Temporary Code)</b> European Waste Catalogue of CEC

Max. Occ. = Maximum Occurrence, St = Status, \* = Restricted Codes

Status: M=Mandatory, R=Required, O=Optional, D=Dependent, A=Advised, N=Not used

## Segment Layout

### 1.Detail section - invoiced unit

Business Term	DE	EDIFACT	Format	St	*	Description
						(Commission of the European Communities)
	1131	Code list identification code	an..17	O		
	3055	Code list responsible agency code	an..3	R	*	246 <b>GS1 Germany</b>

Segmentstatus: Optional

This segment is used if the previous PIA segment can not provide all relevant information.  
 DE 7140 Waste type: Use EU-code list (waste comission 11), e.g. 91201 = packaging material and cardboard

Example: PIA+1+CH-5343:NB: :91+XYZ987:HS+4012368259753:PV: :91+91201:EWC: :246'  
 Batch number, Harmonized system, Promotional variant, type of waste = cardboard

Max. Occ. = Maximum Occurrence, St = Status, \* = Restricted Codes  
 Status: M=Mandatory, R=Required, O=Optional, D=Dependent, A=Advised, N=Not used

## Segment Layout

### 1.Detail section - invoiced unit

No. Seg	St	Max. Occ.				
<b>SG26</b>	R	9999999	LIN-PIA-IMD-MEA-QTY-ALI-DTM-GIN-QVR-FTX-SG27-SG28-SG29-SG30-SG31-SG33-SG34-SG35-SG39-SG45-SG47			
89	<b>PIA</b>	O 1	Additional product id To specify additional or substitutional item identification codes.			
Business Term	DE	EDIFACT	Format	St	*	Description
	4347	Product identifier code qualifier	an..3	M	*	1 Additional identification
	C212	Item number identification		M		
GPC - GS1 Global Product Classification	7140	Item identifier	an..35	R		
	7143	Item type identification code	an..3	R	*	BRI Brick Code (GS1 Temporary Code)
	1131	Code list identification code	an..17	N		
	3055	Code list responsible agency code	an..3	R	*	9 GS1
Segmentstatus: Optional						
This segment is used to specify additional item identification codes.						
Example: PIA+1+10000276:BRI::9' Brick Code for wine						

Max. Occ. = Maximum Occurrence, St = Status, \* = Restricted Codes  
 Status: M=Mandatory, R=Required, O=Optional, D=Dependent, A=Advised, N=Not used

### Segment Layout

1.Detail section - invoiced unit

No. Seg	St	Max. Occ.				
90	<b>SG26</b>	R 9999999	LIN-PIA-IMD-MEA-QTY-ALI-DTM-GIN-QVR-FTX-SG27-SG28-SG29-SG30-SG31-SG33-SG34-SG35-SG39-SG45-SG47			
	<b>PIA</b>	O 25	Additional product id To specify additional or substitutional item identification codes.			
Business Term	DE	EDIFACT	Format	St	*	Description
	4347	Product identifier code qualifier	an..3	M	*	1 Additional identification
	C212	Item number identification		M		
GPC - Attribute type	7140	Item identifier	an..35	R		
	7143	Item type identification code	an..3	R	*	GAT GPC Brick attribute type (GS1 Temporary Code)
	1131	Code list identification code	an..17	N		
	3055	Code list responsible agency code	an..3	R	*	9 GS1
	C212	Item number identification		O		
GPC - Attribute value	7140	Item identifier	an..35	R		
	7143	Item type identification code	an..3	R	*	GAV GPC brick attribute value (GS1 Temporary Code)
	1131	Code list identification code	an..17	N		
	3055	Code list responsible agency code	an..3	R	*	9 GS1
<p>Segmentstatus: Optional</p> <p>This segment is used to specify additional item identification codes. This segment may only be used if the prior PIA segment indicates DE 7143 = BRI. Attribute type and attribute value have to be indicated together in this segment. For transmission of multiple attributes this PIA segment will be repeated.</p> <p>Example: PIA+1+20000217:GAT::9+30002816:GAV::9' Attribute type Colour of wine, Attribute value rosé</p>						

Max. Occ. = Maximum Occurrence, St = Status, \* = Restricted Codes  
Status: M=Mandatory, R=Required, O=Optional, D=Dependent, A=Advised, N=Not used

## Segment Layout

### 1.Detail section - invoiced unit

No. Seg	St	Max. Occ.				
91			<b>SG26</b>	R	9999999	LIN-PIA-IMD-MEA-QTY-ALI-DTM-GIN-QVR-FTX-SG27-SG28-SG29-SG30-SG31-SG33-SG34-SG35-SG39-SG45-SG47
			<b>IMD</b>	R	1	Item description To describe an item in either an industry or free format.
Business Term	DE	EDIFACT	Format	St	*	Description
	7077	Description format code	an..3	O	*	A Free-form long description
	C272	Item characteristic		N		
	7081	Item characteristic code	an..3			
	C273	Item description		A		
	7009	Item description code	an..17	N		
	1131	Code list identification code	an..17	N		
	3055	Code list responsible agency code	an..3	N		
Article long description	7008	Item description	an..25	R		
	7008	Item description	an..25	N		
	3453	Language name code	an..3	O		ISO 639 2-Alpha Code
Segmentstatus: Mandatory						
This segment is used to provide a description for the current line item.						
Example: <b>IMD+A++:::Rudi Rüssel::DE'</b> Article long description: Rudi Rüssel						

Max. Occ. = Maximum Occurrence, St = Status, \* = Restricted Codes  
 Status: M=Mandatory, R=Required, O=Optional, D=Dependent, A=Advised, N=Not used

## Segment Layout

### 1.Detail section - invoiced unit

No. Seg	St	Max. Occ.				
92	<b>SG26</b>	R 9999999	LIN-PIA-IMD-MEA-QTY-ALI-DTM-GIN-QVR-FTX-SG27-SG28-SG29-SG30-SG31-SG33-SG34-SG35-SG39-SG45-SG47			
	<b>IMD</b>	D 1	Item description To describe an item in either an industry or free format.			
Business Term	DE	EDIFACT	Format	St	*	Description
	7077	Description format code	an..3	R	*	C Code (from industry code list)
	C272	Item characteristic		N		
	7081	Item characteristic code	an..3			
	C273	Item description		R		
Invoicing unit	7009	Item description code	an..17	R	*	IN Invoicing unit (GS1 Permanent Code)
	1131	Code list identification code	an..17	N		
	3055	Code list responsible agency code	an..3	D	*	9 GS1 Must be used if DE 7009 contains a GS1 Code
Segmentstatus: Mandatory, if not the content of assortments is invoiced						
This segment is used to provide a description for the current line item.						
Example: <b>IMD+C++IN: :9'</b> The article is an invoicing unit						

Max. Occ. = Maximum Occurrence, St = Status, \* = Restricted Codes  
 Status: M=Mandatory, R=Required, O=Optional, D=Dependent, A=Advised, N=Not used

## Segment Layout

### 1.Detail section - invoiced unit

No. Seg	St	Max. Occ.				
93	<b>SG26</b>	R 9999999	LIN-PIA-IMD-MEA-QTY-ALI-DTM-GIN-QVR-FTX-SG27-SG28-SG29-SG30-SG31-SG33-SG34-SG35-SG39-SG45-SG47			
	<b>IMD</b>	O 1	Item description To describe an item in either an industry or free format.			
Business Term	DE	EDIFACT	Format	St	*	Description
	7077	Description format code	an..3	R	*	C Code (from industry code list)
	C272	Item characteristic		N		
	7081	Item characteristic code	an..3	R		
	C273	Item description		R		
Consumer unit, invoiced	7009	Item description code	an..17	R	*	CU Consumer unit (GS1 Permanent Code)
	1131	Code list identification code	an..17	N		
	3055	Code list responsible agency code	an..3	D	*	9 GS1 Must be used if DE 7009 contains a GS1 Code
<p>Segmentstatus: Optional</p> <p>This segment is only used when the invoicing unit is also a consumer unit. In this case it is not allowed to create a consumer unit subline.</p> <p>Example: <b>IMD+C++CU::9'</b> The article is a consumer unit.</p>						

Max. Occ. = Maximum Occurrence, St = Status, \* = Restricted Codes  
 Status: M=Mandatory, R=Required, O=Optional, D=Dependent, A=Advised, N=Not used

## Segment Layout

### 1.Detail section - invoiced unit

No. Seg	St	Max. Occ.				
94	<b>SG26</b>	R 9999999	LIN-PIA-IMD-MEA-QTY-ALI-DTM-GIN-QVR-FTX-SG27-SG28-SG29-SG30-SG31-SG33-SG34-SG35-SG39-SG45-SG47			
	<b>IMD</b>	O 1	Item description To describe an item in either an industry or free format.			
Business Term	DE	EDIFACT	Format	St	*	Description
	7077	Description format code	an..3	R	*	C Code (from industry code list)
	C272	Item characteristic		N		
	7081	Item characteristic code	an..3	R		
	C273	Item description		R		
Display	7009	Item description code	an..17	R	*	SG Standard group of products (mixed assortment) (GS1 Permanent Code)
	1131	Code list identification code	an..17	N		
	3055	Code list responsible agency code	an..3	D	*	9 GS1 Must be used if DE 7009 contains a GS1 Code
<p>Segmentstatus: Optional</p> <p>This segment is used to provide a description for the current line item.</p> <p>This segment is only used when the invoiced article is a display/mixed assortment.</p> <p>Example: <b>IMD+C++SG::9'</b> Display, it is an assortment unit</p>						

Max. Occ. = Maximum Occurrence, St = Status, \* = Restricted Codes  
 Status: M=Mandatory, R=Required, O=Optional, D=Dependent, A=Advised, N=Not used



## Segment Layout

### 1.Detail section - invoiced unit

No. Seg	St	Max. Occ.				
95	<b>SG26</b>	R 9999999	LIN-PIA-IMD-MEA-QTY-ALI-DTM-GIN-QVR-FTX-SG27-SG28-SG29-SG30-SG31-SG33-SG34-SG35-SG39-SG45-SG47			
	<b>IMD</b>	O 1	Item description To describe an item in either an industry or free format.			
Business Term	DE	EDIFACT	Format	St	*	Description
	7077	Description format code	an..3	R	*	B Code and text F Free-form
	C272	Item characteristic		O		
	7081	Item characteristic code	an..3	R	*	38 Grade
	1131	Code list identification code	an..17	N		
	3055	Code list responsible agency code	an..3	N	*	
	C273	Item description		R		
Grade of fruit/vegetables, identifier	7009	Item description code	an..17	D		Codes must be agreed bilaterally.
	1131	Code list identification code	an..17	N		
	3055	Code list responsible agency code	an..3	D		92 Assigned by buyer or buyer's agent 91 Assigned by supplier or supplier's agent
Grade of fruit/vegetables	7008	Item description	an..25	R		
	7008	Item description	an..25	N		
	3453	Language name code	an..3	O		ISO 639 2-Alpha Code
Segmentstatus: Optional						
This segment is used to provide a description for the current line item.						
This segment provides information about grade in an invoice for fruit/vegetables. The grade name is given in clear text by use of code value F in DE 7077. If additionally a grade identifier is provided in DE 7009 than code value B is used for DE 7077.						
Example: <b>IMD+B+38+COX::91:COX-Orange::DE'</b> Grade: COX (only fruit/vegetables)						

Max. Occ. = Maximum Occurrence, St = Status, \* = Restricted Codes  
Status: M=Mandatory, R=Required, O=Optional, D=Dependent, A=Advised, N=Not used

## Segment Layout

### 1.Detail section - invoiced unit

No. Seg	St	Max. Occ.				
96	<b>SG26</b>	R 9999999	LIN-PIA-IMD-MEA-QTY-ALI-DTM-GIN-QVR-FTX-SG27-SG28-SG29-SG30-SG31-SG33-SG34-SG35-SG39-SG45-SG47			
	<b>IMD</b>	O 1	Item description To describe an item in either an industry or free format.			
Business Term	DE	EDIFACT	Format	St	*	Description
	7077	Description format code	an..3	R	*	B Code and text F Free-form
	C272	Item characteristic		R		
	7081	Item characteristic code	an..3	R	*	13 Quality
	1131	Code list identification code	an..17	N		
	3055	Code list responsible agency code	an..3	N	*	
	C273	Item description		R		
Quality class (fruit/vegetables), identifier	7009	Item description code	an..17	D		Codes must be agreed bilaterally.
	1131	Code list identification code	an..17	N		
	3055	Code list responsible agency code	an..3	D		92 Assigned by buyer or buyer's agent 91 Assigned by supplier or supplier's agent
Quality class (fruit/vegetables)	7008	Item description	an..25	R		
	7008	Item description	an..25	N		
	3453	Language name code	an..3	O		ISO 639 2-Alpha Code
Segmentstatus: Optional						
This segment is used to provide a description for the current line item.						
This segment provides information about quality class in a proforma invoice for fruit/vegetables. The quality class name is given in clear text by use of code value F in DE 7077. If additionally a quality class identifier is provided in DE 7009 than code value B is used for DE 7077.						
Example: IMD+B+13+A::91:Handelsklasse A::DE' Quality class: A (only fruit/vegetables)						

Max. Occ. = Maximum Occurrence, St = Status, \* = Restricted Codes  
Status: M=Mandatory, R=Required, O=Optional, D=Dependent, A=Advised, N=Not used

## Segment Layout

### 1.Detail section - invoiced unit

No. Seg	St	Max. Occ.				
97	R	9999999	LIN-PIA-IMD-MEA-QTY-ALI-DTM-GIN-QVR-FTX-SG27-SG28-SG29-SG30-SG31-SG33-SG34-SG35-SG39-SG45-SG47			
	O	1	Item description To describe an item in either an industry or free format.			
<b>SG26</b>						
<b>IMD</b>						
Business Term	DE	EDIFACT	Format	St	*	Description
	7077	Description format code	an..3	R	*	B Code and text F Free-form
	C272	Item characteristic		R		
	7081	Item characteristic code	an..3	R	*	SGR Size grid (GS1 Temporary Code) alternatively: 98 Size only non-numeric values
	1131	Code list identification code	an..17	N		
	3055	Code list responsible agency code	an..3	D	*	9 GS1 Must be used if DE 7081 contains a GS1 Code
	C273	Item description		R		
Size, identifier	7009	Item description code	an..17	D		Codes must be agreed bilaterally.
	1131	Code list identification code	an..17	N		
	3055	Code list responsible agency code	an..3	D		92 Assigned by buyer or buyer's agent 91 Assigned by supplier or supplier's agent
Size of fruit/vegetables or textiles	7008	Item description	an..25	R		
	7008	Item description	an..25	N		
	3453	Language name code	an..3	O		ISO 639 2-Alpha Code
Segmentstatus: Optional						
This segment is used to provide a description for the current line item.						
Example: IMD+B+SGR::9+XXS::91:Extra small::DE' Size: XXS (only fruit/vegetables or textiles)						

Max. Occ. = Maximum Occurrence, St = Status, \* = Restricted Codes  
Status: M=Mandatory, R=Required, O=Optional, D=Dependent, A=Advised, N=Not used

## Segment Layout

### 1.Detail section - invoiced unit

No. Seg	St	Max. Occ.				
98	<b>SG26</b>	R 9999999	LIN-PIA-IMD-MEA-QTY-ALI-DTM-GIN-QVR-FTX-SG27-SG28-SG29-SG30-SG31-SG33-SG34-SG35-SG39-SG45-SG47			
	<b>IMD</b>	O 1	Item description To describe an item in either an industry or free format.			
Business Term	DE	EDIFACT	Format	St	*	Description
	7077	Description format code	an..3	R	*	B Code and text F Free-form
	C272	Item characteristic		R		
	7081	Item characteristic code	an..3	R	*	35 Colour
	1131	Code list identification code	an..17	N		
	3055	Code list responsible agency code	an..3	N	*	
	C273	Item description		R		
Colour, identifier	7009	Item description code	an..17	D		Codes must be agreed bilaterally.
	1131	Code list identification code	an..17	O		
	3055	Code list responsible agency code	an..3	D		92 Assigned by buyer or buyer's agent 91 Assigned by supplier or supplier's agent
Colour	7008	Item description	an..25	R		
	7008	Item description	an..25	N		
	3453	Language name code	an..3	O		ISO 639 2-Alpha Code
<p>Segmentstatus: Optional</p> <p>This segment is used to provide a description for the current line item.</p> <p>This segment is used to provide information about colour if not coded in GTIN. The colour name is given in clear text by use of code value F in DE 7077. If additionally a colour identifier is provided in DE 7009 than code value B is used for DE 7077.</p> <p>Example: <b>IMD+B+35+Col3012::91:PINK::DE'</b> Colour: Pink (only textile)</p>						

Max. Occ. = Maximum Occurrence, St = Status, \* = Restricted Codes  
 Status: M=Mandatory, R=Required, O=Optional, D=Dependent, A=Advised, N=Not used

### Segment Layout

1.Detail section - invoiced unit

No. Seg	St	Max. Occ.				
99			<b>SG26</b> R 9999999 LIN-PIA-IMD-MEA-QTY-ALI-DTM-GIN-QVR-FTX-SG27-SG28-SG29-SG30-SG31-SG33-SG34-SG35-SG39-SG45-SG47  <b>IMD</b> O 1 Item description To describe an item in either an industry or free format.			
Business Term	DE	EDIFACT	Format	St	*	Description
	7077	Description format code	an..3	R	*	C Code (from industry code list)
	C272	Item characteristic		N		
	7081	Item characteristic code	an..3	R		
	C273	Item description		R		
Reusable empties (deposit)	7009	Item description code	an..17	R	*	RC Returnable container (GS1 Permanent Code)
	1131	Code list identification code	an..17	N		
	3055	Code list responsible agency code	an..3	D	*	9 GS1 Must be used if DE 7009 contains a GS1 Code
Segmentstatus: Optional  This segment is used to provide a description for the current line item.  This segment is used to identify the GTIN of LIN segment as being reusable empties (deposit).  Example: <b>IMD+C++RC::9'</b> GTIN identifies reusable empties (deposit)						

Max. Occ. = Maximum Occurrence, St = Status, \* = Restricted Codes  
 Status: M=Mandatory, R=Required, O=Optional, D=Dependent, A=Advised, N=Not used

## Segment Layout

### 1.Detail section - invoiced unit

No. Seg	St	Max. Occ.				
100	<b>SG26</b>	R 9999999	LIN-PIA-IMD-MEA-QTY-ALI-DTM-GIN-QVR-FTX-SG27-SG28-SG29-SG30-SG31-SG33-SG34-SG35-SG39-SG45-SG47			
	<b>IMD</b>	O 1	Item description To describe an item in either an industry or free format.			
Business Term	DE	EDIFACT	Format	St	*	Description
	7077	Description format code	an..3	R	*	C Code (from industry code list)
	C272	Item characteristic		N		
	7081	Item characteristic code	an..3	R		
	C273	Item description		R		
One way empties (deposit)	7009	Item description code	an..17	R	*	NRC Non-returnable container (GS1 Permanent Code)
	1131	Code list identification code	an..17	N		
	3055	Code list responsible agency code	an..3	D	*	9 GS1 Must be used because DE 7009 contains no EDIFACT Code
Segmentstatus: Optional						
This segment is used to provide a description for the current line item.						
This segment is used to identify the GTIN of LIN segment as being one way empties (deposit).						
Example: <b>IMD+C++NRC::9'</b> GTIN identifies one way empties (deposit)						

Max. Occ. = Maximum Occurrence, St = Status, \* = Restricted Codes  
 Status: M=Mandatory, R=Required, O=Optional, D=Dependent, A=Advised, N=Not used

## Segment Layout

### 1.Detail section - invoiced unit

No. Seg	St	Max. Occ.				
101			<b>SG26</b> R 9999999 LIN-PIA-IMD-MEA-QTY-ALI-DTM-GIN-QVR-FTX-SG27-SG28-SG29-SG30-SG31-SG33-SG34-SG35-SG39-SG45-SG47 <b>MEA</b> O 1 Measurements To specify physical measurements, including dimension tolerances, weights and counts.			
Business Term	DE	EDIFACT	Format	St	*	Description
	6311	Measurement purpose code qualifier	an..3	M	*	AAI <b>Item weight</b>
	C502	Measurement details		A		
	6313	Measured attribute code	an..3	A		AAA Unit net weight AAB Unit gross weight
	6321	Measurement significance code	an..3	N		
	6155	Non-discrete measurement name code	an..17	N		
	6154	Non-discrete measurement name	an..70	N		
	C174	Value/range		R		
	6411	Measurement unit code	an..3	M		
<b>Weight of the article</b>	6314	Measurement value	an..18	O		
Segmentstatus: Optional  The MEA segment on line level is only used, when consumer units are invoiced, otherwise the information is provided on sub line level.  Example: MEA+AAI+AAA+GRM:6370' The weight of the article is 63.7 kg net.						

Max. Occ. = Maximum Occurrence, St = Status, \* = Restricted Codes  
 Status: M=Mandatory, R=Required, O=Optional, D=Dependent, A=Advised, N=Not used

## Segment Layout

### 1.Detail section - invoiced unit

No. Seg	St	Max. Occ.				
102	<b>SG26</b>	R 9999999	LIN-PIA-IMD-MEA-QTY-ALI-DTM-GIN-QVR-FTX-SG27-SG28-SG29-SG30-SG31-SG33-SG34-SG35-SG39-SG45-SG47			
	<b>QTY</b>	D 1	Quantity To specify a pertinent quantity.			
Business Term	DE	EDIFACT	Format	St	*	Description
	C186	Quantity details		M		
	6063	Quantity type code qualifier	an..3	M	*	47 <b>Invoiced quantity</b>
<b>Quantity invoiced</b>	6060	Quantity	an..35	M		Note: Use only numeric values.
	6411	Measurement unit code	an..3	D		(e.g. one single cigarette) All code values from EANCOM odelist 6411 available
<p>Segmentstatus: Mandatory, exception: If contents of assortments are invoiced use the following QTY segment.</p> <p>This segment is used to specify quantities related to the current line item. In case of credit notes the use of correct sign is mandatory.</p> <p>DE 6411 is only used, if the article is a variable quantity article. Default value is piece.</p> <p>Example: <b>QTY+47:11'</b> 11 pieces are invoiced.</p>						

Max. Occ. = Maximum Occurrence, St = Status, \* = Restricted Codes  
 Status: M=Mandatory, R=Required, O=Optional, D=Dependent, A=Advised, N=Not used



## Segment Layout

### 1.Detail section - invoiced unit

No. Seg	St	Max. Occ.				
103	<b>SG26</b>	R 9999999	LIN-PIA-IMD-MEA-QTY-ALI-DTM-GIN-QVR-FTX-SG27-SG28-SG29-SG30-SG31-SG33-SG34-SG35-SG39-SG45-SG47			
	<b>QTY</b>	D 1	Quantity To specify a pertinent quantity.			
Business Term	DE	EDIFACT	Format	St	*	Description
	C186	Quantity details		M		
	6063	Quantity type code qualifier	an..3	M	*	46 <b>Delivered quantity</b>
<b>Quantity delivered</b>	6060	Quantity	an..35	M		Note: Use only numeric values.
	6411	Measurement unit code	an..3	D		(e.g. one single cigarette) All code values from EANCOM codelist 6411 available
Segmentstatus: see notes						
Indication of additional quantity for assortment units and variable quantity products.						
Notes:						
DE 6063: Codevalue 46 has to be used, when assortments/displays have been delivered and the content single articles are invoiced on sub line level.						
DE 6411: If the product being invoiced is of variable quantity (preceding QTY, DE 6063 = 47) an additional QTY segment can provide the delivered quantity of calibrated goods (DE 6063 = 46, Number of packages or trade units).						
DE 6411 is only used, if the article is a variable quantity article. Default value is piece.						
In case of credit notes the use of correct sign is mandatory.						
The use of more than one QTY segment per line needs to be bilaterally agreed.						
Example: <b>QTY+46:11'</b> 11 pieces are delivered						

Max. Occ. = Maximum Occurrence, St = Status, \* = Restricted Codes  
 Status: M=Mandatory, R=Required, O=Optional, D=Dependent, A=Advised, N=Not used

## Segment Layout

### 1.Detail section - invoiced unit

No. Seg	St	Max. Occ.				
104	<b>SG26</b>	R	9999999	LIN-PIA-IMD-MEA-QTY-ALI-DTM-GIN-QVR-FTX-SG27-SG28-SG29-SG30-SG31-SG33-SG34-SG35-SG39-SG45-SG47		
	<b>QTY</b>	O	1	Quantity To specify a pertinent quantity.		
Business Term	DE	EDIFACT	Format	St	*	Description
	C186	Quantity details		M		
	6063	Quantity type code qualifier	an..3	M	*	192 <b>Free goods quantity</b>
<b>Free goods quantity</b>	6060	Quantity	an..35	M		Note: Use only numeric values.
	6411	Measurement unit code	an..3	D		(e.g. one single cigarette) All code values from EANCOM odelist 6411 available
<p>Segmentstatus: Optional</p> <p>This segment can be used to provide free goods quantity. In case of credits in the proforma invoice the amount must be provided with the correct sign.</p> <p>The use of more than one QTY segment needs to be mutually agreed. If the same line contains "quantity delivered, QTY+46..." and "free goods quantity", than "free goods quantity" is contained in "quantity delivered". If one line "free goods quantity" and one line "quantity delivered" is transmitted by use of the same GTIN, the total quantity is calculated by addition of both QTY segments.</p> <p>Concerning the possibilities of use see "agreements detail section" in chapter "Introduction".</p> <p>DE 6411 is only used, if the article is a variable quantity article. Default value is piece.</p> <p>Example: <b>QTY+192:1'</b> 1 piece without invoicing.</p>						

Max. Occ. = Maximum Occurrence, St = Status, \* = Restricted Codes  
 Status: M=Mandatory, R=Required, O=Optional, D=Dependent, A=Advised, N=Not used

## Segment Layout

### 1.Detail section - invoiced unit

No.	Seg	St	Max.	Occ.		
	<b>SG26</b>	R	9999999		LIN-PIA-IMD-MEA-QTY-ALI-DTM-GIN-QVR-FTX-SG27-SG28-SG29-SG30-SG31-SG33-SG34-SG35-SG39-SG45-SG47	
105	<b>ALI</b>	O	1		Additional information To indicate that special conditions due to the origin, customs preference, fiscal or commercial factors are applicable.	
Business Term	DE	EDIFACT	Format	St	*	Description
	3239	Country of origin name code	an..3	N		
	9213	Duty regime type code	an..3	N		
Not subject to discount (line level)	4183	Special condition code	an..3	O		15 Not subject to discount
Segmentstatus: Optional						
This segment can show that the current line item is not subject to discount.						
Example: ALI+++15'						
The line item is not subject for discount, e.g. deposit invoicing						

Max. Occ. = Maximum Occurrence, St = Status, \* = Restricted Codes  
 Status: M=Mandatory, R=Required, O=Optional, D=Dependent, A=Advised, N=Not used

## Segment Layout

### 1.Detail section - invoiced unit

No. Seg	St	Max. Occ.				
106	<b>SG26</b>	R	9999999	LIN-PIA-IMD-MEA-QTY-ALI-DTM-GIN-QVR-FTX-SG27-SG28-SG29-SG30-SG31-SG33-SG34-SG35-SG39-SG45-SG47		
	<b>FTX</b>	O	1	Free text To provide free form or coded text information.		
Business Term	DE	EDIFACT	Format	St	*	Description
	4451	Text subject code qualifier	an..3	M		ZZZ Mutually defined
	4453	Free text function code	an..3	R	*	1 Text for subsequent use
	C107	Text reference		D		
	4441	Free text value code	an..17	N		
	C108	Text literal		D		
Free text (line level)	4440	Free text value	an..51	M		
	4440	Free text value	an..51	O		
	4440	Free text value	an..51	O		
	4440	Free text value	an..51	O		
	4440	Free text value	an..51	O		
	3453	Language name code	an..3	D		ISO 639 two alpha code
<p>Segmentstatus: Optional</p> <p>The use of the FTX segment in free form is not recommended since in most cases it inhibits automatic processing of the proforma invoice. Coded references to standard texts is an available functionality which enables automatic processing and reduces transmission and processing overheads. Standard texts should be mutually defined among trading partners and can be used to cover legal or other requirements.</p> <p>The existence of this FTX segment has no influence on the procedure of the message, e.g. the reason of subsequent delivery can be provided.</p> <p>Example: FTX+ZZZ+1++FREIER TEXT:FREE TEXT:FREIER TEXT:FREE TEXT:FREIER TEXT+DE' Possibility to provide free text.</p>						

Max. Occ. = Maximum Occurrence, St = Status, \* = Restricted Codes  
 Status: M=Mandatory, R=Required, O=Optional, D=Dependent, A=Advised, N=Not used

## Segment Layout

### 1.Detail section - invoiced unit

No. Seg	St	Max. Occ.				
<b>SG26</b>	R	9999999	LIN-PIA-IMD-MEA-QTY-ALI-DTM-GIN-QVR-FTX-SG27-SG28-SG29-SG30-SG31-SG33-SG34-SG35-SG39-SG45-SG47			
<b>SG27</b>	O	1	MOA			
107 <b>MOA</b>	M	1	Monetary amount			
To specify a monetary amount.						
Business Term	DE	EDIFACT	Format	St	*	Description
	C516	Monetary amount		M		
	5025	Monetary amount type code qualifier	an..3	M		203 Line item amount
<b>Line item amount</b>	5004	Monetary amount	n..35	R		
<p>Segmentstatus: Optional, except the document is an electronic delivery note with prices. If articles of the content of an assortment/display are invoiced, this segment is left out.</p> <p>This segment provides the line item amount.                      If the price given in the PRI segment is a gross price, the Item Amount is calculated = (Quantity * Unit Gross Price) + Charges - Allowances. If applicable, allowances and charges must be provided.</p> <p>If the price given in the PRI segment is a net price, the Item Amount is calculated = Quantity * Unit Net Price. Allowances and charges only have informative character.</p> <p>Important note:</p> <p>WITHIN ONE MESSAGE ONLY ONE METHOD IS ALLOWED TO USE</p> <p>Example: <b>MOA+203:108.13'</b>                      The line item amount is 108.13 EURO.</p>						

Max. Occ. = Maximum Occurrence, St = Status, \* = Restricted Codes  
 Status: M=Mandatory, R=Required, O=Optional, D=Dependent, A=Advised, N=Not used

## Segment Layout

### 1.Detail section - invoiced unit

No. Seg	St	Max. Occ.				
<b>SG26</b>	R	9999999	LIN-PIA-IMD-MEA-QTY-ALI-DTM-GIN-QVR-FTX-SG27-SG28-SG29-SG30-SG31-SG33-SG34-SG35-SG39-SG45-SG47			
<b>SG27</b>	O	1	MOA			
108 <b>MOA</b>	M	1	Monetary amount			
To specify a monetary amount.						
Business Term	DE	EDIFACT	Format	St	*	Description
	C516	Monetary amount		M		
	5025	Monetary amount type code qualifier	an..3	M	*	131 Total charges/ allowances
Line level: Total charges/ allowances	5004	Monetary amount	n..35	R		
<p>Segmentstatus: Optional, exception: if articles of the content of an assortment/display are invoiced, this segment is left out.</p> <p>The use of this segment is mandatory, if calculatable discounts are present at detail level. It is the total amount of all allowances and charges, that have influence on the calculation of the line item amount.</p> <p>Note on DE 5004: &gt;&gt;&gt;&gt; The amount must be provided with the correct sign &lt;&lt;&lt;&lt;&lt;</p> <p>Example: MOA+131: -1.65'</p> <p>The total allowances for this line are 1.65 EURO.</p>						

Max. Occ. = Maximum Occurrence, St = Status, \* = Restricted Codes  
 Status: M=Mandatory, R=Required, O=Optional, D=Dependent, A=Advised, N=Not used

## Segment Layout

### 1.Detail section - invoiced unit

No.	Seg	St	Max.	Occ.	
	<b>SG26</b>	R	9999999		LIN-PIA-IMD-MEA-QTY-ALI-DTM-GIN-QVR-FTX-SG27-SG28-SG29-SG30-SG31-SG33-SG34-SG35-SG39-SG45-SG47
	<b>SG27</b>	O	1		MOA
109	<b>MOA</b>	M	1		Monetary amount
To specify a monetary amount.					
Business Term	DE	EDIFACT	Format	St	* Description
	C516	Monetary amount		M	
	5025	Monetary amount type code qualifier	an..3	M	* 204 Allowance amount
Shrinkage amount (fruit/vegetables)	5004	Monetary amount	n..35	R	
Segmentstatus: Optional					
This segment is used to provide the shrinkage amount in invoices of fruit/vegetables.					
Example: MOA+204:12.99'					
Shrinkage: 12.99 (only fruit/vegetables)					

Max. Occ. = Maximum Occurrence, St = Status, \* = Restricted Codes  
 Status: M=Mandatory, R=Required, O=Optional, D=Dependent, A=Advised, N=Not used

## Segment Layout

### 1.Detail section - invoiced unit

No.	Seg	St	Max. Occ.			
	<b>SG26</b>	R	9999999	LIN-PIA-IMD-MEA-QTY-ALI-DTM-GIN-QVR-FTX-SG27-SG28-SG29-SG30-SG31-SG33-SG34-SG35-SG39-SG45-SG47		
	<b>SG27</b>	O	1	MOA		
110	<b>MOA</b>	M	1	Monetary amount		
To specify a monetary amount.						
Business Term	DE	EDIFACT	Format	St	*	Description
	C516	Monetary amount		M		
	5025	Monetary amount type code qualifier	an..3	M	*	402 Total retail value
Total retail value of the line item	5004	Monetary amount	n..35	R		
Segmentstatus: Optional						
This segment is used to provide items total retail value .						
If necessary the minus sign has to be used in proforma invoices.						
Example: MOA+402:219.78'						
Total retail value of the line item is 219.78 EURO						

Max. Occ. = Maximum Occurrence, St = Status, \* = Restricted Codes  
 Status: M=Mandatory, R=Required, O=Optional, D=Dependent, A=Advised, N=Not used



## Segment Layout

### 1.Detail section - invoiced unit

No. Seg	St	Max. Occ.				
<b>SG26</b>	R	9999999	LIN-PIA-IMD-MEA-QTY-ALI-DTM-GIN-QVR-FTX-SG27-SG28-SG29-SG30-SG31-SG33-SG34-SG35-SG39-SG45-SG47			
<b>SG29</b>	D	1	PRI-APR			
111 <b>PRI</b>	M	1	Price details			
To specify price information.						
Business Term	DE	EDIFACT	Format	St	*	Description
	C509	Price information		R		
	5125	Price code qualifier	an..3	M	*	AAA <b>Calculation net</b>
<b>Single price per invoiced unit net</b>	5118	Price amount	n..15	R		
	5375	Price type code	an..3	N		
	5387	Price specification code	an..3	O		
<b>Unit price basis</b>	5284	Unit price basis value	n..9	D		
	6411	Measurement unit code	an..3	D		H87 Piece (Old code value: PCE) (e.g. one single cigarette) EA each KGM kilogram LTR litre MTR metre All code values from EANCOM code list 6411 and UN/ECE Recommendation 20 code list available.
<p>Segmentstatus: Depending/Mandatory, exception: if credit notes related to financial adjustments or articles of the content of an assortment/display are invoiced, this segment is left out.</p> <p>This segment must be used to provide price information to calculate the line item amount.</p> <p>Exception: If articles out of the content of displays/assortments are invoiced, price information is provided at sub line level exclusively.</p> <p>Within the invoice only one calculation method ia allowed to determine the line item amount.</p> <p>Example: PRI+AAA:9.98:::1:H87' The net price is 9.98 EURO.</p>						

Max. Occ. = Maximum Occurrence, St = Status, \* = Restricted Codes  
 Status: M=Mandatory, R=Required, O=Optional, D=Dependent, A=Advised, N=Not used

### Segment Layout

1.Detail section - invoiced unit

No.	Seg	St	Max. Occ.	
	<b>SG26</b>	R	9999999	LIN-PIA-IMD-MEA-QTY-ALI-DTM-GIN-QVR-FTX-SG27-SG28-SG29-SG30-SG31-SG33-SG34-SG35-SG39-SG45-SG47
	<b>SG29</b>	D	1	PRI-APR
112	<b>PRI</b>	M	1	Price details

To specify price information.

Business Term	DE	EDIFACT	Format	St	*	Description
	C509	Price information		R		
	5125	Price code qualifier	an..3	M	*	AAB Calculation gross
Single price per invoiced unit gross	5118	Price amount	n..15	R		
	5375	Price type code	an..3	N		
	5387	Price specification code	an..3	O		
Unit price basis	5284	Unit price basis value	n..9	D		
	6411	Measurement unit code	an..3	D		H87 Piece (Old code value: PCE) (e.g. one single cigarette) EA each KGM kilogram LTR litre MTR metre All code values from EANCOM code list 6411 and UN/ECE Recommendation 20 code list available.

Segmentstatus: Depending/Mandatory, either net price or gross price must be indicated. Exception: if credit notes related to financial adjustments or articles of the content of an assortment/display are invoiced, this segment is left out.

This segment must be used to provide price information to calculate the line item amount.

Exception: If articles out of the content of displays/assortments are invoiced, price information is provided at sub line level exclusively.

Within the invoice only one calculation method is allowed to determine the line item amount.

Example: PRI+AAB:9.98:::1:H87'

The gross price is 9.98 EURO.

Max. Occ. = Maximum Occurrence, St = Status, \* = Restricted Codes  
Status: M=Mandatory, R=Required, O=Optional, D=Dependent, A=Advised, N=Not used

### Segment Layout

1.Detail section - invoiced unit

No.	Seg	St	Max.	Occ.	
	<b>SG26</b>	R	9999999		LIN-PIA-IMD-MEA-QTY-ALI-DTM-GIN-QVR-FTX-SG27-SG28-SG29-SG30-SG31-SG33-SG34-SG35-SG39-SG45-SG47
	<b>SG29</b>	O	1		PRI-APR
113	<b>PRI</b>	M	1		Price details

To specify price information.

Business Term	DE	EDIFACT	Format	St	*	Description
	C509	Price information		R		
	5125	Price code qualifier	an..3	M		AAE Information price, excluding allowances or charges, including taxes
Retail price Small unit retail price (tobacco)	5118	Price amount	n..15	R		
	5375	Price type code	an..3	N		
	5387	Price specification code	an..3	R	*	SRP Suggested retail price
	5284	Unit price basis value	n..9	D		
	6411	Measurement unit code	an..3	D		H87 Piece (Old code value: PCE) (e.g. one single cigarette) EA each KGM kilogram LTR litre MTR metre All code values from EANCOM code list 6411 and UN/ECE Recommendation 20 code list available.

Segmentstatus: Optional

This segment can be use to provide the retail price.

Example: PRI+AAE:19.98::SRP:1:H87'

The suggested retail price per piece is 19.98 EURO incl. tax.

Max. Occ. = Maximum Occurrence, St = Status, \* = Restricted Codes  
Status: M=Mandatory, R=Required, O=Optional, D=Dependent, A=Advised, N=Not used

### Segment Layout

1.Detail section - invoiced unit

No. Seg	St	Max. Occ.				
<b>SG26</b>	R	9999999	LIN-PIA-IMD-MEA-QTY-ALI-DTM-GIN-QVR-FTX-SG27-SG28-SG29-SG30-SG31-SG33-SG34-SG35-SG39-SG45-SG47			
<b>SG29</b>	O	1	PRI-APR			
<b>PRI</b>	M	1	Price details			
114	To specify price information.					
Business Term	DE	EDIFACT	Format	St	*	Description
	C509	Price information		R		
	5125	Price code qualifier	an..3	M		CAL Calculation price
Price without (tabacco) tax	5118	Price amount	n..15	R		
	5375	Price type code	an..3	N		
	5387	Price specification code	an..3	R	*	ABE Retail price - excluding taxes
	5284	Unit price basis value	n..9	D		
	6411	Measurement unit code	an..3	D		H87 Piece (Old code value: PCE) (e.g. one single cigarette) EA each KGM kilogram LTR litre MTR metre All code values from EANCOM code list 6411 and UN/ECE Recommendation 20 code list available.
Segmentstatus: Optional						
This segment can be used for recalculation purposes.						
Example: PRI+CAL:19.98::ABE:1:H87'						
Price without (tabacco) tax is 19.98.						

Max. Occ. = Maximum Occurrence, St = Status, \* = Restricted Codes  
 Status: M=Mandatory, R=Required, O=Optional, D=Dependent, A=Advised, N=Not used

## Segment Layout

### 1.Detail section - invoiced unit

No.	Seg	St	Max.	Occ.	
	<b>SG26</b>	R	9999999		LIN-PIA-IMD-MEA-QTY-ALI-DTM-GIN-QVR-FTX-SG27-SG28-SG29-SG30-SG31-SG33-SG34-SG35-SG39-SG45-SG47
	<b>SG30</b>	O	1		RFF-DTM
115	<b>RFF</b>	M	1		Reference
To specify a reference.					
Business Term	DE	EDIFACT	Format	St	* Description
	C506	Reference		M	
	1153	Reference code qualifier	an..3	M	* DQ Delivery note number
Delivery note (Line)	1154	Reference identifier	an..70	R	
Delivery note line	1156	Document line identifier	an..6	O	
Segmentstatus: Optional					
This segment is used to reference the delivery note number.					
This segment will only be used, if different deliveries are accumulated on proforma invoice line level.					
Example: RFF+DQ:4714:1'					
The message references to delivery note number 4714, line 1.					

Max. Occ. = Maximum Occurrence, St = Status, \* = Restricted Codes  
 Status: M=Mandatory, R=Required, O=Optional, D=Dependent, A=Advised, N=Not used

## Segment Layout

### 1.Detail section - invoiced unit

No. Seg	St	Max. Occ.				
<b>SG26</b>	R	9999999	LIN-PIA-IMD-MEA-QTY-ALI-DTM-GIN-QVR-FTX-SG27-SG28-SG29-SG30-SG31-SG33-SG34-SG35-SG39-SG45-SG47			
<b>SG30</b>	O	1	RFF-DTM			
<b>DTM</b>	O	5	Date/time/period			
116			To specify date, and/or time, or period.			
Business Term	DE	EDIFACT	Format	St	*	Description
	C507	Date/time/period		M		
	2005	Date or time or period function code qualifier	an..3	M	*	171 Reference date/time
Date of delivery note (line level)	2380	Date or time or period value	an..35	R		
	2379	Date or time or period format code	an..3	R		102 CCYYMMDD
Segmentstatus: Optional						
This segment is used to specify any dates related to the references given in the previous RFF segment.						
Example: DTM+171:20180301:102'						
The date of the delivery note is 01.03.2018.						

Max. Occ. = Maximum Occurrence, St = Status, \* = Restricted Codes  
 Status: M=Mandatory, R=Required, O=Optional, D=Dependent, A=Advised, N=Not used

## Segment Layout

### 1.Detail section - invoiced unit

No.	Seg	St	Max.	Occ.	
	<b>SG26</b>	R	9999999		LIN-PIA-IMD-MEA-QTY-ALI-DTM-GIN-QVR-FTX-SG27-SG28-SG29-SG30-SG31-SG33-SG34-SG35-SG39-SG45-SG47
	<b>SG30</b>	O	1		RFF-DTM
117	<b>RFF</b>	M	1		Reference
To specify a reference.					
Business Term	DE	EDIFACT	Format	St	* Description
	C506	Reference		M	
	1153	Reference code qualifier	an..3	M	* AAK <b>Despatch advice number</b>
<b>Despatch advice (Line)</b>	1154	Reference identifier	an..70	R	
<b>Despatch advice line</b>	1156	Document line identifier	an..6	O	
Segmentstatus: Optional					
This segment is used to reference the despatch advice number (DESADV).					
Example: RFF+AAK:4714:1'					
The message references to despatch advice number 4714, line 1.					

Max. Occ. = Maximum Occurrence, St = Status, \* = Restricted Codes  
 Status: M=Mandatory, R=Required, O=Optional, D=Dependent, A=Advised, N=Not used

## Segment Layout

### 1.Detail section - invoiced unit

No. Seg	St	Max. Occ.				
<b>SG26</b>	R	9999999	LIN-PIA-IMD-MEA-QTY-ALI-DTM-GIN-QVR-FTX-SG27-SG28-SG29-SG30-SG31-SG33-SG34-SG35-SG39-SG45-SG47			
<b>SG30</b>	O	1	RFF-DTM			
<b>DTM</b>	O	5	Date/time/period			
118			To specify date, and/or time, or period.			
Business Term	DE	EDIFACT	Format	St	*	Description
	C507	Date/time/period		M		
	2005	Date or time or period function code qualifier	an..3	M	*	171 Reference date/time
Despatch advice reference date (line)	2380	Date or time or period value	an..35	R		
	2379	Date or time or period format code	an..3	R		102 CCYYMMDD
Segmentstatus: Optional						
This segment is used to specify any dates related to the references given in the previous RFF segment.						
Example: DTM+171:20180301:102'						
Despatch advice reference date is 01.03.2018						

Max. Occ. = Maximum Occurrence, St = Status, \* = Restricted Codes  
 Status: M=Mandatory, R=Required, O=Optional, D=Dependent, A=Advised, N=Not used



## Segment Layout

### 1.Detail section - invoiced unit

No.	Seg	St	Max.	Occ.	
	<b>SG26</b>	R	9999999		LIN-PIA-IMD-MEA-QTY-ALI-DTM-GIN-QVR-FTX-SG27-SG28-SG29-SG30-SG31-SG33-SG34-SG35-SG39-SG45-SG47
	<b>SG30</b>	O	1		RFF-DTM
119	<b>RFF</b>	M	1		Reference
To specify a reference.					
Business Term	DE	EDIFACT	Format	St	* Description
	C506	Reference		M	
	1153	Reference code qualifier	an..3	M	* ON Order number (buyer)
Order number (Line)	1154	Reference identifier	an..70	R	
Order line number	1156	Document line identifier	an..6	O	
Segmentstatus: Optional					
This segmentgroup will only be used, if different orders are accumulated on proforma invoice line level.					
Example: RFF+ON:4711:1'					
The message references to buyers order number 4711, line 1.					

Max. Occ. = Maximum Occurrence, St = Status, \* = Restricted Codes  
 Status: M=Mandatory, R=Required, O=Optional, D=Dependent, A=Advised, N=Not used

## Segment Layout

### 1.Detail section - invoiced unit

No.	Seg	St	Max.	Occ.	
	<b>SG26</b>	R	9999999		LIN-PIA-IMD-MEA-QTY-ALI-DTM-GIN-QVR-FTX-SG27-SG28-SG29-SG30-SG31-SG33-SG34-SG35-SG39-SG45-SG47
	<b>SG30</b>	O	1		RFF-DTM
120	<b>DTM</b>	O	5		Date/time/period
To specify date, and/or time, or period.					
Business Term	DE	EDIFACT	Format	St	* Description
	C507	Date/time/period		M	
	2005	Date or time or period function code qualifier	an..3	M	171 Reference date/time
Reference date	2380	Date or time or period value	an..35	R	
	2379	Date or time or period format code	an..3	R	102 CCYYMMDD
Segmentstatus: Optional					
This segment is used to specify any dates related to the references given in the previous RFF segment.					
Example: DTM+171:20180301:102'					
Buyers order is dated 01.03.2018.					

Max. Occ. = Maximum Occurrence, St = Status, \* = Restricted Codes  
 Status: M=Mandatory, R=Required, O=Optional, D=Dependent, A=Advised, N=Not used

## Segment Layout

### 1.Detail section - invoiced unit

No.	Seg	St	Max.	Occ.	
	<b>SG26</b>	R	9999999		LIN-PIA-IMD-MEA-QTY-ALI-DTM-GIN-QVR-FTX-SG27-SG28-SG29-SG30-SG31-SG33-SG34-SG35-SG39-SG45-SG47
	<b>SG30</b>	O	1		RFF-DTM
121	<b>RFF</b>	M	1		Reference
To specify a reference.					
Business Term	DE	EDIFACT	Format	St	* Description
	C506	Reference		M	
	1153	Reference code qualifier	an..3	M	* UC Ultimate customer's reference number
Consumers order number (line)	1154	Reference identifier	an..70	R	
Segmentstatus: Optional					
This segment group will only be used to provide consumers order number.					
Example: RFF+UC:4711'					
The message references to consumers order number 4711.					

Max. Occ. = Maximum Occurrence, St = Status, \* = Restricted Codes  
 Status: M=Mandatory, R=Required, O=Optional, D=Dependent, A=Advised, N=Not used

## Segment Layout

### 1.Detail section - invoiced unit

No. Seg	St	Max. Occ.				
<b>SG26</b>	R	9999999	LIN-PIA-IMD-MEA-QTY-ALI-DTM-GIN-QVR-FTX-SG27-SG28-SG29-SG30-SG31-SG33-SG34-SG35-SG39-SG45-SG47			
<b>SG30</b>	O	1	RFF-DTM			
<b>DTM</b>	O	5	Date/time/period			
122			To specify date, and/or time, or period.			
Business Term	DE	EDIFACT	Format	St	*	Description
	C507	Date/time/period		M		
	2005	Date or time or period function code qualifier	an..3	M	*	171 Reference date/time
Consumers order number reference date (line)	2380	Date or time or period value	an..35	R		
	2379	Date or time or period format code	an..3	R		102 CCYYMMDD
Segmentstatus: Optional						
This segment is used to specify any dates related to the references given in the previous RFF segment.						
Example: DTM+171:20180301:102'						
Consumers order number reference date is 01.03.2018.						

Max. Occ. = Maximum Occurrence, St = Status, \* = Restricted Codes  
 Status: M=Mandatory, R=Required, O=Optional, D=Dependent, A=Advised, N=Not used

## Segment Layout

### 1.Detail section - invoiced unit

No.	Seg	St	Max.	Occ.	
	<b>SG26</b>	R	9999999		LIN-PIA-IMD-MEA-QTY-ALI-DTM-GIN-QVR-FTX-SG27-SG28-SG29-SG30-SG31-SG33-SG34-SG35-SG39-SG45-SG47
	<b>SG30</b>	O	1		RFF-DTM
123	<b>RFF</b>	M	1		Reference
To specify a reference.					
Business Term	DE	EDIFACT	Format	St	* Description
	C506	Reference		M	
	1153	Reference code qualifier	an..3	M	* AGB Contract party reference number
Sales agreement number	1154	Reference identifier	an..70	R	
Segmentstatus: Optional					
This segment group will only be used to provide a sales agreement number.					
Example: RFF+AGB:4711'					
The message references to sales agreement number 4711.					

Max. Occ. = Maximum Occurrence, St = Status, \* = Restricted Codes  
 Status: M=Mandatory, R=Required, O=Optional, D=Dependent, A=Advised, N=Not used

## Segment Layout

### 1.Detail section - invoiced unit

No. Seg	St	Max. Occ.				
<b>SG26</b>	R	9999999	LIN-PIA-IMD-MEA-QTY-ALI-DTM-GIN-QVR-FTX-SG27-SG28-SG29-SG30-SG31-SG33-SG34-SG35-SG39-SG45-SG47			
<b>SG30</b>	O	1	RFF-DTM			
<b>DTM</b>	O	5	Date/time/period			
124			To specify date, and/or time, or period.			
Business Term	DE	EDIFACT	Format	St	*	Description
	C507	Date/time/period		M		
	2005	Date or time or period function code qualifier	an..3	M	*	171 Reference date/time
Sales agreement number reference date (line)	2380	Date or time or period value	an..35	R		
	2379	Date or time or period format code	an..3	R		102 CCYYMMDD
Segmentstatus: Optional						
This segment is used to specify any dates related to the references given in the previous RFF segment.						
Example: DTM+171:20180301:102'						
Sales agreement number reference date is 01.03.2018.						

Max. Occ. = Maximum Occurrence, St = Status, \* = Restricted Codes  
 Status: M=Mandatory, R=Required, O=Optional, D=Dependent, A=Advised, N=Not used

## Segment Layout

### 1.Detail section - invoiced unit

No.	Seg	St	Max. Occ.			
	<b>SG26</b>	R	9999999	LIN-PIA-IMD-MEA-QTY-ALI-DTM-GIN-QVR-FTX-SG27-SG28-SG29-SG30-SG31-SG33-SG34-SG35-SG39-SG45-SG47		
	<b>SG30</b>	D	10	RFF-DTM		
125	<b>RFF</b>	M	1	Reference		
To specify a reference.						
Business Term	DE	EDIFACT	Format	St	*	Description
	C506	Reference		M		
	1153	Reference code qualifier	an..3	M	*	AXO <b>Product certification number</b> (Old code value: XC1)
<b>ECO controlling agency (article)</b>	1154	Reference identifier	an..70	C		
Segmentstatus: Depending						
This segment services the requirements of EC 834/2007.						
Example: RFF+AXO:AT-N-01-BIO'						
The article is a BIO product. It is certified by the control agency AT-N-01-BIO. The indication overwrites information of the heading section.						

Max. Occ. = Maximum Occurrence, St = Status, \* = Restricted Codes  
 Status: M=Mandatory, R=Required, O=Optional, D=Dependent, A=Advised, N=Not used

## Segment Layout

### 1.Detail section - invoiced unit

No.	Seg	St	Max. Occ.	
	<b>SG26</b>	R	9999999	LIN-PIA-IMD-MEA-QTY-ALI-DTM-GIN-QVR-FTX-SG27-SG28-SG29-SG30-SG31-SG33-SG34-SG35-SG39-SG45-SG47
	<b>SG31</b>	O	1	PAC-MEA-SG32
126	<b>PAC</b>	M	1	Package

To describe the number and type of packages/physical units.

Business Term	DE	EDIFACT	Format	St	*	Description
Number of packages	7224	Package quantity	n..8	O		only for fruit/vegetables or textile, otherwise N
	C531	Packaging details		O		
	7075	Packaging level code	an..3	N		
	7233	Packaging related description code	an..3	N		
	7073	Packaging terms and conditions code	an..3	N		
	C202	Package type		O		
Type of package	7065	Package type description code	an..17	A		All code values from EANCOM codelist 7065 available
	1131	Code list identification code	an..17	O		
	3055	Code list responsible agency code	an..3	D		
Type of package (e.g. fruit/vegetables)	7064	Type of packages	an..35	O		e.g. "12x6"

Segmentstatus: Optional

This segment is used to provide the package type. This segment can be used, if the GTIN in LIN segment identifies goods of variable quantity that is not (consumer) packed.

Example: PAC+++AE:::12x6'

Possibility to provide package type.

Max. Occ. = Maximum Occurrence, St = Status, \* = Restricted Codes  
 Status: M=Mandatory, R=Required, O=Optional, D=Dependent, A=Advised, N=Not used



## Segment Layout

### 1.Detail section - invoiced unit

No. Seg	St	Max. Occ.				
<b>SG26</b>	R	9999999	LIN-PIA-IMD-MEA-QTY-ALI-DTM-GIN-QVR-FTX-SG27-SG28-SG29-SG30-SG31-SG33-SG34-SG35-SG39-SG45-SG47			
<b>SG31</b>	O	1	PAC-MEA-SG32			
<b>MEA</b>	O	10	Measurements			
127						To specify physical measurements, including dimension tolerances, weights and counts.
Business Term	DE	EDIFACT	Format	St	*	Description
	6311	Measurement purpose code qualifier	an..3	M	*	AAI <b>Item weight</b>
	C502	Measurement details		A		
	6313	Measured attribute code	an..3	A	*	AAA <b>Unit net weight</b> only fruit/vegetables
	6321	Measurement significance code	an..3	N		
	6155	Non-discrete measurement name code	an..17	N		
	6154	Non-discrete measurement name	an..70	N		
	C174	Value/range		R		
	6411	Measurement unit code	an..3	M		
<b>Net weight fruit/vegetables</b>	6314	Measurement value	an..18	O		
Segmentstatus: Optional						
MEA segment at this position is only be used to provide net weight of the line item in invoices for fruit/vegetables.						
Example: MEA+AAI+AAA+GRM:6370' Net weight (only fruit/vegetables).						

Max. Occ. = Maximum Occurrence, St = Status, \* = Restricted Codes  
 Status: M=Mandatory, R=Required, O=Optional, D=Dependent, A=Advised, N=Not used

**Segment Layout**

1.Detail section - invoiced unit

No. Seg	St	Max. Occ.				
<b>SG26</b>	R	9999999	LIN-PIA-IMD-MEA-QTY-ALI-DTM-GIN-QVR-FTX-SG27-SG28-SG29-SG30-SG31-SG33-SG34-SG35-SG39-SG45-SG47			
<b>SG34</b>	D	1	TAX-MOA			
128 <b>TAX</b>	M	1	Duty/tax/fee details			
To specify relevant duty/tax/fee information.						
Business Term	DE	EDIFACT	Format	St	*	Description
	5283	Duty or tax or fee function code qualifier	an..3	M	*	7 Tax
	C241	Duty/tax/fee type		D		
Value added tax on line level	5153	Duty or tax or fee type name code	an..3	O	*	VAT Value added tax
	1131	Code list identification code	an..17	O		
	3055	Code list responsible agency code	an..3	D		
	5152	Duty or tax or fee type name	an..35	O		
	C533	Duty/tax/fee account detail		O		
	5289	Duty or tax or fee account code	an..6	M		
	1131	Code list identification code	an..17	O		
	3055	Code list responsible agency code	an..3	D		
	5286	Duty or tax or fee assessment basis value	an..15	O		
	C243	Duty/tax/fee detail		A		
	5279	Duty or tax or fee rate code	an..7	O		
	1131	Code list identification code	an..17	O		
	3055	Code list responsible agency code	an..3	D		
	5278	Duty or tax or fee rate	an..17	R		Actual tax rate
	5273	Duty or tax or fee rate basis code	an..12	O		
	1131	Code list identification code	an..17	O		
	3055	Code list responsible agency code	an..3	D		
	5305	Duty or tax or fee category code	an..3	R		E Exempt from tax S Standard rate O Services outside scope of tax
Segmentstatus: Depending, is only used if the current line has a VAT rate other than indicated in SG6.						

Max. Occ. = Maximum Occurrence, St = Status, \* = Restricted Codes  
 Status: M=Mandatory, R=Required, O=Optional, D=Dependent, A=Advised, N=Not used

## Segment Layout

---

### 1.Detail section - invoiced unit

The main tax rate has been indicated in the heading section of the message. Should the occasion arise different tax rates have to be indicated here on detail level.

Note to DE 5278 and 5305: if the business volume is free of tax, DE 5278 must contain 0 (zero).

Example: TAX+7+VAT+ABC123++:::19+S'

The VAT rate for the current line item is 19%.

**Segment Layout**

1.Detail section - invoiced unit

No. Seg	St	Max. Occ.				
<b>SG26</b>	R	9999999	LIN-PIA-IMD-MEA-QTY-ALI-DTM-GIN-QVR-FTX-SG27-SG28-SG29-SG30-SG31-SG33-SG34-SG35-SG39-SG45-SG47			
<b>SG39</b>	O	30	ALC-ALI-DTM-SG40-SG41-SG42-SG43-SG44			
129 <b>ALC</b>	M	1	Allowance or charge To identify allowance or charge details.			
Business Term	DE	EDIFACT	Format	St	*	Description
	5463	Allowance or charge code qualifier	an..3	M		A Allowance C Charge
	C552	Allowance/charge information		O		
Type of allowance or charge (line level)	1230	Allowance or charge identifier	an..35	D		The use of this dataelement has to be agreed mutually between the trading partners.
	5189	Allowance or charge identification code	an..3	N		
	4471	Settlement means code	an..3	N		
	1227	Calculation sequence code	an..3	R		1 First step of calculation 2 Second step of calculation etc. etc. etc. 9 Ninth step of calculation
	C214	Special services identification		D		
	7161	Special service description code	an..3	R		AA Advertising allowance Advertising (document) DI Discount Discount (document) EAB Early payment allowance Early payment allowance (document) FC Freight charge Freight (document) IN Insurance Insurance (document) MAC Minimum order/minimum billing charge Minimum quantity charge (dokument) NAA Non-returnable containers

Max. Occ. = Maximum Occurrence, St = Status, \* = Restricted Codes  
Status: M=Mandatory, R=Required, O=Optional, D=Dependent, A=Advised, N=Not used

## Segment Layout

### 1.Detail section - invoiced unit

Business Term	DE	EDIFACT	Format	St	*	Description
						Waste management allowance (document) RAA Rebate Rebate i.e. Bonus (document) SH Special handling service Price labelling (document) CRS Collection and recycling service (GS1_DE code) Collection and recycling service (document) BON Direct bonus (GS1_DE code) Direct bous (document)
	1131	Code list identification code	an..17	N		
	3055	Code list responsible agency code	an..3	D		246 GS1 Germany Must be used if DE7161 contains no EDIFACT Code.

Segmentstatus: Optional, exception: if articles of the content of an assortment/display are invoiced, this segment group is left out.

One segment group 39 has to be used for each allowance/charge on line level.

Allowances and charges in the heading section of a message are independent from those in the detail section, e.g. ALC at detail level does not override ALC at heading level.

Example: ALC+A+Absprache++1+DI: :246'  
Article discount :

Max. Occ. = Maximum Occurrence, St = Status, \* = Restricted Codes  
Status: M=Mandatory, R=Required, O=Optional, D=Dependent, A=Advised, N=Not used

## Segment Layout

### 1.Detail section - invoiced unit

No. Seg	St	Max. Occ.				
<b>SG26</b>	R	9999999	LIN-PIA-IMD-MEA-QTY-ALI-DTM-GIN-QVR-FTX-SG27-SG28-SG29-SG30-SG31-SG33-SG34-SG35-SG39-SG45-SG47			
<b>SG39</b>	O	30	ALC-ALI-DTM-SG40-SG41-SG42-SG43-SG44			
<b>SG40</b>	O	1	QTY			
130 <b>QTY</b>	M	1	Quantity To specify a pertinent quantity.			
Business Term	DE	EDIFACT	Format	St	*	Description
	C186	Quantity details		M		
	6063	Quantity type code qualifier	an..3	M	*	1 Discrete quantity
Basis for discount quantity	6060	Quantity	an..35	M		Note: Use only numeric values.
	6411	Measurement unit code	an..3	D		(e.g. one single cigarette) All code values from EANCOM codelist 6411 available
<p>Segmentstatus: Optional</p> <p>This segment within the ALC segment group is used to specify quantity upon which discounts are applicable for the line item being invoiced.</p> <p>DE 6411 is only used, if the article is a variable quantity article. Default value is piece.</p> <p>Example: QTY+1:12' Quantity discount 12 pieces</p>						

Max. Occ. = Maximum Occurrence, St = Status, \* = Restricted Codes  
 Status: M=Mandatory, R=Required, O=Optional, D=Dependent, A=Advised, N=Not used

## Segment Layout

### 1.Detail section - invoiced unit

No. Seg	St	Max. Occ.				
<b>SG26</b>	R	9999999	LIN-PIA-IMD-MEA-QTY-ALI-DTM-GIN-QVR-FTX-SG27-SG28-SG29-SG30-SG31-SG33-SG34-SG35-SG39-SG45-SG47			
<b>SG39</b>	O	30	ALC-ALI-DTM-SG40-SG41-SG42-SG43-SG44			
<b>SG41</b>	O	1	PCD			
131 <b>PCD</b>	M	1	Percentage details To specify percentage information.			
Business Term	DE	EDIFACT	Format	St	*	Description
	C501	Percentage details		M		
	5245	Percentage type code qualifier	an..3	M	*	3 Allowance or charge
Percentage allowance/charge (line level)	5482	Percentage	n..10	R		
Segmentstatus: Optional						
This segment is used to specify percentage discounts for the line item being invoiced.						
Example: PCD+3:0.75' 0,75%						

Max. Occ. = Maximum Occurrence, St = Status, \* = Restricted Codes  
 Status: M=Mandatory, R=Required, O=Optional, D=Dependent, A=Advised, N=Not used

## Segment Layout

### 1.Detail section - invoiced unit

No.	Seg	St	Max.	Occ.	
	<b>SG26</b>	R	9999999		LIN-PIA-IMD-MEA-QTY-ALI-DTM-GIN-QVR-FTX-SG27-SG28-SG29-SG30-SG31-SG33-SG34-SG35-SG39-SG45-SG47
	<b>SG39</b>	O	30		ALC-ALI-DTM-SG40-SG41-SG42-SG43-SG44
	<b>SG42</b>	O	2		MOA
132	<b>MOA</b>	M	1		Monetary amount To specify a monetary amount.
Business Term	DE	EDIFACT	Format	St	* Description
	C516	Monetary amount		M	
	5025	Monetary amount type code qualifier	an..3	M	* 8 Allowance or charge amount
Allowance amount (line level)	5004	Monetary amount	n..35	R	
Segmentstatus: Optional					
This segment is used to specify monetary discounts for the line item being invoiced.					
Example: MOA+8:1.65' equals an allowance of 1.65 EURO					

Max. Occ. = Maximum Occurrence, St = Status, \* = Restricted Codes  
 Status: M=Mandatory, R=Required, O=Optional, D=Dependent, A=Advised, N=Not used



## Segment Layout

### 1.Detail section - invoiced unit

No.	Seg	St	Max.	Occ.	
	<b>SG26</b>	R	9999999		LIN-PIA-IMD-MEA-QTY-ALI-DTM-GIN-QVR-FTX-SG27-SG28-SG29-SG30-SG31-SG33-SG34-SG35-SG39-SG45-SG47
	<b>SG39</b>	O	30		ALC-ALI-DTM-SG40-SG41-SG42-SG43-SG44
	<b>SG42</b>	O	2		MOA
133	<b>MOA</b>	M	1		Monetary amount To specify a monetary amount.
Business Term	DE	EDIFACT	Format	St	* Description
	C516	Monetary amount		M	
	5025	Monetary amount type code qualifier	an..3	M	* 25 Charge/allowance basis
Basis amount allowance/charge (line level)	5004	Monetary amount	n..35	R	
Segmentstatus: Optional					
This segment is used to provide the basis amount to calculate an allowance or charge.					
Example: MOA+25:220'					
Basis amount: 220 EURO.					

Max. Occ. = Maximum Occurrence, St = Status, \* = Restricted Codes  
 Status: M=Mandatory, R=Required, O=Optional, D=Dependent, A=Advised, N=Not used

## Segment Layout

### 1.Detail section - invoiced unit

No. Seg	St	Max. Occ.				
<b>SG26</b>	R	9999999	LIN-PIA-IMD-MEA-QTY-ALI-DTM-GIN-QVR-FTX-SG27-SG28-SG29-SG30-SG31-SG33-SG34-SG35-SG39-SG45-SG47			
<b>SG39</b>	O	30	ALC-ALI-DTM-SG40-SG41-SG42-SG43-SG44			
<b>SG43</b>	O	1	RTE			
134 <b>RTE</b>	M	1	Rate details To specify rate information.			
Business Term	DE	EDIFACT	Format	St	*	Description
	C128	Rate details		M		
	5419	Rate type code qualifier	an..3	M	*	1 Allowance rate 2 Charge rate
Allowance/charge rate (line level)	5420	Unit price basis rate	n..15	M		
	5284	Unit price basis value	n..9	O		Quantity for the effective rate
	6411	Measurement unit code	an..3	O		H87 Piece (Old code value: PCE) (e.g. one single cigarette) EA each KGM kilogram LTR litre MTR metre All code values from EANCOM code list 6411 and UN/ECE Recommendation 20 code list available.
Segmentstatus: Optional						
This segment is used to specify allowance or charge rates for the line item being invoiced.						
Example: RTE+1:1.25:100:H87'						
Allowance: 1.25 EURO per 100 pieces.						

Max. Occ. = Maximum Occurrence, St = Status, \* = Restricted Codes  
 Status: M=Mandatory, R=Required, O=Optional, D=Dependent, A=Advised, N=Not used

## Segment Layout

### 2.Detail section - consumer unit

No. Seg	St	Max. Occ.	
<b>SG26</b>	D	9999999	LIN-PIA-IMD-MEA-QTY-ALI-DTM-GIN-QVR-FTX-SG27-SG28-SG29-SG30-SG31-SG33-SG34-SG35-SG39-SG45-SG47
135	<b>LIN</b>	M 1	Line item To identify a line item and configuration.

Business Term	DE	EDIFACT	Format	St	*	Description
Sub line to describe consumer unit	1082	Line item identifier	an..6	R		Application generated number of the item lines within the invoice.
	1229	Action request/ notification description code	an..3	N		
	C212	Item number identification		D		
GTIN- Article identifikation (Consumer unit)	7140	Item identifier	an..35	R		GTIN, Format n..14
	7143	Item type identification code	an..3	R	*	SRV <b>GS1 Global Trade Item Number</b>
	1131	Code list identification code	an..17	N		
	3055	Code list responsible agency code	an..3	N		
	C829	Sub-line information		D		
	5495	Sub-line indicator code	an..3	R	*	1 <b>Sub-line information</b>
	1082	Line item identifier	an..6	R		Reference to line item number

Segmentstatus: Mandatory, exception: consumer units have been invoiced.

This segment is used to indicate the beginning of the 2. detail section of the proforma invoice message. It contains the GTIN of the consumers unit.

This segment may occur only once as a subline to the invoiced main line, if only one consumer unit GTIN is contained more than once. If the invoiced unit contains different consumer units the description of the following sub line (LIN+3) is applicable.

C829 and DE 7083: These composites are only used when sub-lines are required. The LIN segment indicates the GTIN of the consumer unit. The one and only exception is described in the following PIA segment.

FOR A COMPLETE DESCRIPTION ON THE USAGE OF SUB-LINES PLEASE REFER TO PART I, SECTION 4.10 OF THE EANCOM 2002 MANUAL.

Example: LIN+2++4000862141417:SRV+1:1'  
Sub line to describe consumer unit

Max. Occ. = Maximum Occurrence, St = Status, \* = Restricted Codes  
Status: M=Mandatory, R=Required, O=Optional, D=Dependent, A=Advised, N=Not used

## Segment Layout

### 2.Detail section - consumer unit

No. Seg	St	Max. Occ.				
136	<b>SG26</b>	D 9999999	LIN-PIA-IMD-MEA-QTY-ALI-DTM-GIN-QVR-FTX-SG27-SG28-SG29-SG30-SG31-SG33-SG34-SG35-SG39-SG45-SG47			
	<b>PIA</b>	D 1	Additional product id To specify additional or substitutional item identification codes.			
Business Term	DE	EDIFACT	Format	St	*	Description
	4347	Product identifier code qualifier	an..3	M	*	5 Product identification
	C212	Item number identification		M		
Suppliers article number (Consumer unit)	7140	Item identifier	an..35	R		
	7143	Item type identification code	an..3	R	*	SA Supplier's article number
	1131	Code list identification code	an..17	N		
	3055	Code list responsible agency code	an..3	R	*	91 Assigned by supplier or supplier's agent
<p>Segmentstatus: Mandatory, if LIN segment does not provide a GTIN, otherwise segment is not used.</p> <p>This segment is only used, if LIN segment does not provide a GTIN. It than must follow the LIN segment immediatly. In this case LIN segment (mandatory) only provides the line item number and indication of sub line level. Identification of the article is done by use of the suppliers article number in this PIA segment, DE 4347 is filled with "5" for primary identification.</p> <p>Example: PIA+5+ABC5343:SA: :91'</p> <p>Only if LIN does not provide GTIN: Articleidentification in PIA</p>						

Max. Occ. = Maximum Occurrence, St = Status, \* = Restricted Codes  
 Status: M=Mandatory, R=Required, O=Optional, D=Dependent, A=Advised, N=Not used

## Segment Layout

### 2.Detail section - consumer unit

No. Seg	St	Max. Occ.				
137	<b>SG26</b>	D 9999999	LIN-PIA-IMD-MEA-QTY-ALI-DTM-GIN-QVR-FTX-SG27-SG28-SG29-SG30-SG31-SG33-SG34-SG35-SG39-SG45-SG47			
	<b>IMD</b>	R 1	Item description To describe an item in either an industry or free format.			
Business Term	DE	EDIFACT	Format	St	*	Description
	7077	Description format code	an..3	R	*	C Code (from industry code list)
	C272	Item characteristic		N		
	7081	Item characteristic code	an..3	R		
	C273	Item description		R		
Consumer unit	7009	Item description code	an..17	R	*	CU Consumer unit (GS1 Permanent Code)
	1131	Code list identification code	an..17	N		
	3055	Code list responsible agency code	an..3	D	*	9 GS1 Must be used if DE 7009 contains a GS1 Code
Segmentstatus: Mandatory						
This segment is only used when the invoicing unit is also a consumer unit. In this case it is not allowed to create a consumer unit subline.						
Example: <b>IMD+C++CU::9'</b> GTIN 4000862141417 is a consumer unit						

Max. Occ. = Maximum Occurrence, St = Status, \* = Restricted Codes  
 Status: M=Mandatory, R=Required, O=Optional, D=Dependent, A=Advised, N=Not used

## Segment Layout

### 2.Detail section - consumer unit

No. Seg	St	Max. Occ.				
138	<b>SG26</b>	D	9999999	LIN-PIA-IMD-MEA-QTY-ALI-DTM-GIN-QVR-FTX-SG27-SG28-SG29-SG30-SG31-SG33-SG34-SG35-SG39-SG45-SG47		
	<b>MEA</b>	O	1	Measurements		
To specify physical measurements, including dimension tolerances, weights and counts.						
Business Term	DE	EDIFACT	Format	St	*	Description
	6311	Measurement purpose code qualifier	an..3	M	*	AAI <b>Item weight</b>
	C502	Measurement details		A		
	6313	Measured attribute code	an..3	A		AAA Unit net weight AAB Unit gross weight
	6321	Measurement significance code	an..3	N		
	6155	Non-discrete measurement name code	an..17	N		
	6154	Non-discrete measurement name	an..70	N		
	C174	Value/range		R		
	6411	Measurement unit code	an..3	M		
<b>Weight of the article (Consumer unit)</b>	6314	Measurement value	an..18	O		
Segmentstatus: Optional						
MEA segment provides information about consumer unit.						
Example: <b>MEA+AAI+AAA+GRM:6370'</b> Weight of the article is 63.7 kg net.						

Max. Occ. = Maximum Occurrence, St = Status, \* = Restricted Codes  
 Status: M=Mandatory, R=Required, O=Optional, D=Dependent, A=Advised, N=Not used

## Segment Layout

### 2.Detail section - consumer unit

No. Seg	St	Max. Occ.				
139	<b>SG26</b>	D 9999999	LIN-PIA-IMD-MEA-QTY-ALI-DTM-GIN-QVR-FTX-SG27-SG28-SG29-SG30-SG31-SG33-SG34-SG35-SG39-SG45-SG47			
	<b>QTY</b>	R 1	Quantity To specify a pertinent quantity.			
Business Term	DE	EDIFACT	Format	St	*	Description
	C186	Quantity details		M		
	6063	Quantity type code qualifier	an..3	M	*	59 <b>Number of consumer units in the traded unit</b>
<b>Number of consumer units</b>	6060	Quantity	an..35	M		Note: Use only numeric values.
	6411	Measurement unit code	an..3	D		
<p>Segmentstatus: Mandatory</p> <p>This segment indicates the number of consumer units in the invoiced unit.</p> <p>Notes:</p> <p>This segment can have more than one repetition, e.g. number of packages per pack of cigarettes, number of cigarettes per pack, etc.</p> <p>The use of more than one QTY segment needs to be bilaterally agreed. Fractional digits are not allowed for piece goods (e.g. DE 6411 = H87 (default), PA, EA, etc.) !</p> <p>DE 6411 is only used, if the article is a variable quantity article. Default value is piece.</p> <p>Example: <b>QTY+59:5'</b> The invoiced unit contains 5 consumer units.</p>						

Max. Occ. = Maximum Occurrence, St = Status, \* = Restricted Codes  
 Status: M=Mandatory, R=Required, O=Optional, D=Dependent, A=Advised, N=Not used

### Segment Layout

#### 3.Detail section - not invoiced units included in assortment

No. Seg	St	Max. Occ.				
140	<b>SG26</b>	D 9999999	LIN-PIA-IMD-MEA-QTY-ALI-DTM-GIN-QVR-FTX-SG27-SG28-SG29-SG30-SG31-SG33-SG34-SG35-SG39-SG45-SG47			
	<b>LIN</b>	M 1	Line item To identify a line item and configuration.			
Business Term	DE	EDIFACT	Format	St	*	Description
Sub line to describe assortment/display. Listing of included units, invoicing of items provided at (main) line level.	1082	Line item identifier	an..6	R		Application generated number of the item lines within the proforma invoice.
	1229	Action request/ notification description code	an..3	N		
	C212	Item number identification		D		
GTIN- Article identifikation (Display content)	7140	Item identifier	an..35	R		GTIN, Format n..14
	7143	Item type identification code	an..3	R	*	SRV <b>GS1 Global Trade Item Number</b>
	1131	Code list identification code	an..17	N		
	3055	Code list responsible agency code	an..3	N		
	C829	Sub-line information		D		
	5495	Sub-line indicator code	an..3	R	*	1 <b>Sub-line information</b>
	1082	Line item identifier	an..6	R		Reference to line item number
<p>Segmentgroup status: Only to indicate the content of invoiced assortments/displays!                      Segmentstatus: Mandatory, exception: consumer units have been invoiced.</p> <p>One LIN sub line has to be indicated per unit included in assortment. The display and each contained unit are identified with their own, different GTIN.</p> <p>C829 and DE 7083: These composites are only used when sub-lines are required.</p> <p>FOR A COMPLETE DESCRIPTION ON THE USAGE OF SUB-LINES PLEASE REFER TO PART I, SECTION 4.10 OF THE EANCOM 2002 MANUAL.</p> <p>Example: LIN+3++4000862141423:SRV+1:1'                      Sub line to describe units included in assortment/display</p>						

Max. Occ. = Maximum Occurrence, St = Status, \* = Restricted Codes  
 Status: M=Mandatory, R=Required, O=Optional, D=Dependent, A=Advised, N=Not used



### Segment Layout

3.Detail section - not invoiced units included in assortment

No. Seg	St	Max. Occ.				
141	<b>SG26</b>	D 9999999	LIN-PIA-IMD-MEA-QTY-ALI-DTM-GIN-QVR-FTX-SG27-SG28-SG29-SG30-SG31-SG33-SG34-SG35-SG39-SG45-SG47			
	<b>PIA</b>	D 1	Additional product id To specify additional or substitutional item identification codes.			
Business Term	DE	EDIFACT	Format	St	*	Description
	4347	Product identifier code qualifier	an..3	M	*	5 Product identification
	C212	Item number identification		M		
Suppliers article number (Display content)	7140	Item identifier	an..35	R		
	7143	Item type identification code	an..3	R	*	SA Supplier's article number
	1131	Code list identification code	an..17	N		
	3055	Code list responsible agency code	an..3	R	*	91 Assigned by supplier or supplier's agent
<p>Segmentstatus: Mandatory, if LIN segment does not provide a GTIN, otherwise segment is not used.</p> <p>This segment is only used, if LIN segment does not provide a GTIN. It than must follow the LIN segment immediatly. In this case LIN segment (mandatory) only provides the line item number and indication of sub line level. Identification of the article is done by use of the suppliers article number in this PIA segment, DE 4347 is filled with "5" for primary identification.</p> <p>Example: PIA+5+ABC5343:SA: :91'</p> <p>Only if LIN does not provide GTIN: Articleidentification in PIA</p>						

Max. Occ. = Maximum Occurrence, St = Status, \* = Restricted Codes  
 Status: M=Mandatory, R=Required, O=Optional, D=Dependent, A=Advised, N=Not used

## Segment Layout

### 3.Detail section - not invoiced units included in assortment

No. Seg	St	Max. Occ.				
142	<b>SG26</b>	D 9999999	LIN-PIA-IMD-MEA-QTY-ALI-DTM-GIN-QVR-FTX-SG27-SG28-SG29-SG30-SG31-SG33-SG34-SG35-SG39-SG45-SG47			
	<b>PIA</b>	D 1	Additional product id To specify additional or substitutional item identification codes.			
Business Term	DE	EDIFACT	Format	St	*	Description
	4347	Product identifier code qualifier	an..3	M	*	1 Additional identification
	C212	Item number identification		M		
Suppliers article number (Display content)	7140	Item identifier	an..35	R		
	7143	Item type identification code	an..3	R	*	SA Supplier's article number
	1131	Code list identification code	an..17	N		
	3055	Code list responsible agency code	an..3	R	*	91 Assigned by supplier or supplier's agent
	C212	Item number identification		O		
Buyer's part number (Display content)	7140	Item identifier	an..35	R		
	7143	Item type identification code	an..3	R	*	IN Buyer's item number
	1131	Code list identification code	an..17	N		
	3055	Code list responsible agency code	an..3	R	*	92 Assigned by buyer or buyer's agent
	C212	Item number identification		O		
Article group code (Display content)	7140	Item identifier	an..35	R		
	7143	Item type identification code	an..3	R	*	GN National product group code
	1131	Code list identification code	an..17	N		
	3055	Code list responsible agency code	an..3	R	*	246 GS1 Germany
	C212	Item number identification		O		
Serial number (Display content)	7140	Item identifier	an..35	R		
	7143	Item type identification code	an..3	R	*	SN Serial number
	1131	Code list identification code	an..17	O		

Max. Occ. = Maximum Occurrence, St = Status, \* = Restricted Codes

Status: M=Mandatory, R=Required, O=Optional, D=Dependent, A=Advised, N=Not used

## Segment Layout

### 3.Detail section - not invoiced units included in assortment

Business Term	DE	EDIFACT	Format	St	*	Description
	3055	Code list responsible agency code	an..3	R	*	91 Assigned by supplier or supplier's agent

Segmentstatus: Mandatory to provide suppliers article number, all other information are optional.

This segment is used to specify additional item identification codes such as a buyer's or supplier's item number.

Example: PIA+1+ABC5343:SA: :91+XYZ987:IN: :92+1111:GN: :246+0815:SN: :91'

Suppliers internal article number ABC5343, Buyers article number XYZ987, Article Group number 1111, Serial number 0815, article is an assortment.

Max. Occ. = Maximum Occurrence, St = Status, \* = Restricted Codes  
 Status: M=Mandatory, R=Required, O=Optional, D=Dependent, A=Advised, N=Not used

## Segment Layout

### 3.Detail section - not invoiced units included in assortment

No. Seg	St	Max. Occ.				
143	<b>SG26</b>	D 9999999	LIN-PIA-IMD-MEA-QTY-ALI-DTM-GIN-QVR-FTX-SG27-SG28-SG29-SG30-SG31-SG33-SG34-SG35-SG39-SG45-SG47			
	<b>PIA</b>	O 1	Additional product id To specify additional or substitutional item identification codes.			
Business Term	DE	EDIFACT	Format	St	*	Description
	4347	Product identifier code qualifier	an..3	M	*	1 <b>Additional identification</b>
	C212	Item number identification		M		
<b>Batch number (Display content)</b>	7140	Item identifier	an..35	R		
	7143	Item type identification code	an..3	R	*	NB <b>Batch number</b>
	1131	Code list identification code	an..17	N		
	3055	Code list responsible agency code	an..3	R	*	91 <b>Assigned by supplier or supplier's agent</b>
	C212	Item number identification		O		
<b>Harmonised system (Display content)</b>	7140	Item identifier	an..35	R		
	7143	Item type identification code	an..3	R	*	HS <b>Harmonised system</b>
	1131	Code list identification code	an..17	N		
	3055	Code list responsible agency code	an..3	D		
	C212	Item number identification		O		
<b>Articles promotional variant (Display content)</b>	7140	Item identifier	an..35	R		
	7143	Item type identification code	an..3	R	*	PV <b>Promotional variant number</b>
	1131	Code list identification code	an..17	N		
	3055	Code list responsible agency code	an..3	R	*	9 <b>GS1</b> 91 <b>Assigned by supplier or supplier's agent</b> 92 <b>Assigned by buyer or buyer's agent</b>
Segmentstatus: Optional						
This segment is used if the previous PIA segment can not provide all relevant information.						

Max. Occ. = Maximum Occurrence, St = Status, \* = Restricted Codes  
Status: M=Mandatory, R=Required, O=Optional, D=Dependent, A=Advised, N=Not used

## Segment Layout

---

### 3.Detail section - not invoiced units included in assortment

Example: PIA+1+CH-5343:NB: :91+XYZ987:HS+4012368259753:PV: :91 '  
Batch number, Harmonized system, Promotional variant.

Max. Occ. = Maximum Occurrence, St = Status, \* = Restricted Codes  
Status: M=Mandatory, R=Required, O=Optional, D=Dependent, A=Advised, N=Not used

### Segment Layout

3.Detail section - not invoiced units included in assortment

No. Seg	St	Max. Occ.				
144	<b>SG26</b>	D 9999999	LIN-PIA-IMD-MEA-QTY-ALI-DTM-GIN-QVR-FTX-SG27-SG28-SG29-SG30-SG31-SG33-SG34-SG35-SG39-SG45-SG47			
	<b>PIA</b>	O 1	Additional product id To specify additional or substitutional item identification codes.			
Business Term	DE	EDIFACT	Format	St	*	Description
	4347	Product identifier code qualifier	an..3	M	*	1 Additional identification
	C212	Item number identification		M		
GPC - GS1 Global Product Classification	7140	Item identifier	an..35	R		
	7143	Item type identification code	an..3	R	*	BRI Brick Code (GS1 Temporary Code)
	1131	Code list identification code	an..17	N		
	3055	Code list responsible agency code	an..3	R	*	9 GS1
Segmentstatus: Optional						
This segment is used to specify additional item identification codes.						
Example: PIA+1+10000276:BRI::9' Brick Code for wine						

Max. Occ. = Maximum Occurrence, St = Status, \* = Restricted Codes  
 Status: M=Mandatory, R=Required, O=Optional, D=Dependent, A=Advised, N=Not used

### Segment Layout

3.Detail section - not invoiced units included in assortment

No. Seg	St	Max. Occ.				
<b>SG26</b>	D	9999999	LIN-PIA-IMD-MEA-QTY-ALI-DTM-GIN-QVR-FTX-SG27-SG28-SG29-SG30-SG31-SG33-SG34-SG35-SG39-SG45-SG47			
145	<b>PIA</b>	O 1	Additional product id To specify additional or substitutional item identification codes.			
Business Term	DE	EDIFACT	Format	St	*	Description
	4347	Product identifier code qualifier	an..3	M	*	1 Additional identification
	C212	Item number identification		M		
GPC - Attribute type	7140	Item identifier	an..35	R		
	7143	Item type identification code	an..3	R	*	GAT GPC Brick attribute type (GS1 Temporary Code)
	1131	Code list identification code	an..17	N		
	3055	Code list responsible agency code	an..3	R	*	9 GS1
	C212	Item number identification		C		
GPC - Attribute value	7140	Item identifier	an..35	R		
	7143	Item type identification code	an..3	R	*	GAV GPC brick attribute value (GS1 Temporary Code)
	1131	Code list identification code	an..17	N		
	3055	Code list responsible agency code	an..3	R	*	9 GS1
<p>Segmentstatus: Optional</p> <p>This segment is used to specify additional item identification codes.</p> <p>This segment may only be used if the prior PIA segment indicates DE 7143 = BRI. Attribute type and attribute value have to be indicated together in this segment. For transmission of multiple attributes this PIA segment will be repeated.</p> <p>Example: PIA+1+20000217:GAT::9+30002816:GAV::9' Attribute type Colour of wine, Attribute value rosé</p>						

Max. Occ. = Maximum Occurrence, St = Status, \* = Restricted Codes  
Status: M=Mandatory, R=Required, O=Optional, D=Dependent, A=Advised, N=Not used

### Segment Layout

3.Detail section - not invoiced units included in assortment

No. Seg	St	Max. Occ.				
146	<b>SG26</b>	D 9999999	LIN-PIA-IMD-MEA-QTY-ALI-DTM-GIN-QVR-FTX-SG27-SG28-SG29-SG30-SG31-SG33-SG34-SG35-SG39-SG45-SG47			
	<b>IMD</b>	R 1	Item description To describe an item in either an industry or free format.			
Business Term	DE	EDIFACT	Format	St	*	Description
	7077	Description format code	an..3	R	*	C Code (from industry code list)
	C272	Item characteristic		N		
	7081	Item characteristic code	an..3	R		
	C273	Item description		R		
Consumer unit (assortment)	7009	Item description code	an..17	R	*	CU Consumer unit (GS1 Permanent Code)
	1131	Code list identification code	an..17	N		
	3055	Code list responsible agency code	an..3	D	*	9 GS1 Must be used if DE 7009 contains a GS1 Code
Segmentstatus: Mandatory						
This segment is used to provide a description for the current line item.						
Note to DE 7009: The included unit is marked as consumer unit. Intermediate units are not shown.						
Example: <b>IMD+C++CU::9'</b> The article is a consumer unit.						

Max. Occ. = Maximum Occurrence, St = Status, \* = Restricted Codes  
 Status: M=Mandatory, R=Required, O=Optional, D=Dependent, A=Advised, N=Not used



### Segment Layout

3.Detail section - not invoiced units included in assortment

No. Seg	St	Max. Occ.				
147	<b>SG26</b>	D 9999999	LIN-PIA-IMD-MEA-QTY-ALI-DTM-GIN-QVR-FTX-SG27-SG28-SG29-SG30-SG31-SG33-SG34-SG35-SG39-SG45-SG47			
	<b>IMD</b>	O 1	Item description To describe an item in either an industry or free format.			
Business Term	DE	EDIFACT	Format	St	*	Description
	7077	Description format code	an..3	R	*	C Code (from industry code list)
	C272	Item characteristic		N		
	7081	Item characteristic code	an..3	R		
	C273	Item description		R		
Reusable empties (deposit)	7009	Item description code	an..17	R	*	RC Returnable container (GS1 Permanent Code)
	1131	Code list identification code	an..17	N		
	3055	Code list responsible agency code	an..3	D	*	9 GS1 Must be used if DE 7009 contains a GS1 Code
Segmentstatus: Optional						
This segment is used to provide a description for the current line item.						
This segment is used to identify the GTIN of LIN segment as being reusable empties (deposit).						
Example: <b>IMD+C++RC::9'</b> GTIN identifies reusable empties (deposit)						

Max. Occ. = Maximum Occurrence, St = Status, \* = Restricted Codes  
 Status: M=Mandatory, R=Required, O=Optional, D=Dependent, A=Advised, N=Not used

### Segment Layout

3.Detail section - not invoiced units included in assortment

No. Seg	St	Max. Occ.				
148	<b>SG26</b>	D 9999999	LIN-PIA-IMD-MEA-QTY-ALI-DTM-GIN-QVR-FTX-SG27-SG28-SG29-SG30-SG31-SG33-SG34-SG35-SG39-SG45-SG47			
	<b>IMD</b>	O 1	Item description To describe an item in either an industry or free format.			
Business Term	DE	EDIFACT	Format	St	*	Description
	7077	Description format code	an..3	R	*	C Code (from industry code list)
	C272	Item characteristic		N		
	7081	Item characteristic code	an..3	R		
	C273	Item description		R		
One way empties (deposit)	7009	Item description code	an..17	R	*	NRC Non-returnable container (GS1 Permanent Code)
	1131	Code list identification code	an..17	N		
	3055	Code list responsible agency code	an..3	D	*	9 GS1 Must be used because DE 7009 contains no EDIFACT Code
Segmentstatus: Optional						
This segment is used to provide a description for the current line item.						
This segment is used to identify the GTIN of LIN segment as being one way empties (deposit).						
Example: <b>IMD+C++NRC::9'</b> GTIN identifies one way empties (deposit)						

Max. Occ. = Maximum Occurrence, St = Status, \* = Restricted Codes  
Status: M=Mandatory, R=Required, O=Optional, D=Dependent, A=Advised, N=Not used

### Segment Layout

3.Detail section - not invoiced units included in assortment

No. Seg	St	Max. Occ.				
149	<b>SG26</b>	D 9999999	LIN-PIA-IMD-MEA-QTY-ALI-DTM-GIN-QVR-FTX-SG27-SG28-SG29-SG30-SG31-SG33-SG34-SG35-SG39-SG45-SG47			
	<b>IMD</b>	R 1	Item description To describe an item in either an industry or free format.			
Business Term	DE	EDIFACT	Format	St	*	Description
	7077	Description format code	an..3	O	*	A Free-form long description
	C272	Item characteristic		N		
	7081	Item characteristic code	an..3			
	C273	Item description		A		
	7009	Item description code	an..17	N		
	1131	Code list identification code	an..17	N		
	3055	Code list responsible agency code	an..3	N		
Article long description (Display content)	7008	Item description	an..25	R		
	7008	Item description	an..25	N		
	3453	Language name code	an..3	O		ISO 639 2-Alpha Code
Segmentstatus: Mandatory						
This segment is used to provide a description for the current line item.						
Example: <b>IMD+A++:::Rüssel von Rudi::DE'</b> The article description is: Rüssel von Rudi						

Max. Occ. = Maximum Occurrence, St = Status, \* = Restricted Codes  
 Status: M=Mandatory, R=Required, O=Optional, D=Dependent, A=Advised, N=Not used

### Segment Layout

3.Detail section - not invoiced units included in assortment

No. Seg	St	Max. Occ.				
150	<b>SG26</b>	D 9999999	LIN-PIA-IMD-MEA-QTY-ALI-DTM-GIN-QVR-FTX-SG27-SG28-SG29-SG30-SG31-SG33-SG34-SG35-SG39-SG45-SG47			
	<b>QTY</b>	R 1	Quantity To specify a pertinent quantity.			
Business Term	DE	EDIFACT	Format	St	*	Description
	C186	Quantity details		M		
	6063	Quantity type code qualifier	an..3	M	*	45E Number of units in higher packaging or configuration level (GS1 Temporary Code)
Quantity content display(s)	6060	Quantity	an..35	M		Note: Use only numeric values.
	6411	Measurement unit code	an..3	D		H87 Piece (Old code value: PCE) (e.g. one single cigarette) EA each KGM kilogram LTR litre MTR metre All code values from EANCOM code list 6411 and UN/ECE Recommendation 20 code list available.
<p>Segmentstatus: Mandatory</p> <p>This segment provides the total number of units contained in all delivered assortments/displays of the current line, i.e. the quantity per display/assortment is multiplied by the number of invoiced displays/assortments indicated at (main) line level.</p> <p>DE 6411 is only used, if the article is a variable quantity article. Default value is piece.</p> <p>Example: QTY+45E:12:H87' 12 pieces have been delivered.</p>						

Max. Occ. = Maximum Occurrence, St = Status, \* = Restricted Codes  
 Status: M=Mandatory, R=Required, O=Optional, D=Dependent, A=Advised, N=Not used

### Segment Layout

3.Detail section - not invoiced units included in assortment

No.	Seg	St	Max.	Occ.	
151	<b>SG26</b>	D	9999999		LIN-PIA-IMD-MEA-QTY-ALI-DTM-GIN-QVR-FTX-SG27-SG28-SG29-SG30-SG31-SG33-SG34-SG35-SG39-SG45-SG47
	<b>SG31</b>	O	1		PAC-MEA-SG32
	<b>PAC</b>	M	1		Package

To describe the number and type of packages/physical units.

Business Term	DE	EDIFACT	Format	St	*	Description
Number of packages (Display content)	7224	Package quantity	n..8	O		only for fruit/vegetables or textile, otherwise N
	C531	Packaging details		O		
	7075	Packaging level code	an..3	N		
	7233	Packaging related description code	an..3	N		
	7073	Packaging terms and conditions code	an..3	N		
	C202	Package type		O		
Type of package (Display content)	7065	Package type description code	an..17	A		All code values from EANCOM codelist 7065 available
	1131	Code list identification code	an..17	O		
	3055	Code list responsible agency code	an..3	D		
Type of package (Display content)	7064	Type of packages	an..35	O		e.g. "12x6"

Segmentstatus: Optional

This segment is used to provide the package type.

Example: PAC+++AE:::12x6'

Possibility to provide package type.

Max. Occ. = Maximum Occurrence, St = Status, \* = Restricted Codes  
 Status: M=Mandatory, R=Required, O=Optional, D=Dependent, A=Advised, N=Not used

## Segment Layout

### 3.Detail section - not invoiced units included in assortment

No. Seg	St	Max. Occ.				
<b>SG26</b>	D	9999999	LIN-PIA-IMD-MEA-QTY-ALI-DTM-GIN-QVR-FTX-SG27-SG28-SG29-SG30-SG31-SG33-SG34-SG35-SG39-SG45-SG47			
<b>SG34</b>	D	1	TAX-MOA			
152 <b>TAX</b>	M	1	Duty/tax/fee details To specify relevant duty/tax/fee information.			
Business Term	DE	EDIFACT	Format	St	*	Description
	5283	Duty or tax or fee function code qualifier	an..3	M	*	7 Tax
	C241	Duty/tax/fee type		D		
VAT of display/assortment content	5153	Duty or tax or fee type name code	an..3	O	*	VAT Value added tax
	1131	Code list identification code	an..17	O		
	3055	Code list responsible agency code	an..3	D		
	5152	Duty or tax or fee type name	an..35	O		
	C533	Duty/tax/fee account detail		O		
	5289	Duty or tax or fee account code	an..6	M		
	1131	Code list identification code	an..17	O		
	3055	Code list responsible agency code	an..3	D		
	5286	Duty or tax or fee assessment basis value	an..15	O		
	C243	Duty/tax/fee detail		A		
	5279	Duty or tax or fee rate code	an..7	O		
	1131	Code list identification code	an..17	O		
	3055	Code list responsible agency code	an..3	D		
	5278	Duty or tax or fee rate	an..17	R		Actual tax rate
	5273	Duty or tax or fee rate basis code	an..12	O		
	1131	Code list identification code	an..17	O		
	3055	Code list responsible agency code	an..3	D		
	5305	Duty or tax or fee category code	an..3	R		E Exempt from tax S Standard rate O Services outside scope of tax
Segmentstatus: Depending						
The main tax rate has been indicated in the heading section of the message. Should the occasion						

Max. Occ. = Maximum Occurrence, St = Status, \* = Restricted Codes

Status: M=Mandatory, R=Required, O=Optional, D=Dependent, A=Advised, N=Not used

## Segment Layout

---

### 3.Detail section - not invoiced units included in assortment

arise different tax rates are indicated here on detail level.

Note to DE 5278 and 5305: if the business volume is free of tax, DE 5278 must contain 0 (zero).

Example: TAX+7+VAT+ABC123++:::19+S'

The VAT rate for the current line item is 19%.

Max. Occ. = Maximum Occurrence, St = Status, \* = Restricted Codes

Status: M=Mandatory, R=Required, O=Optional, D=Dependent, A=Advised, N=Not used

## Segment Layout

### 4.Detail section - invoiced units included in assortment

No. Seg	St	Max. Occ.				
153	<b>SG26</b>	R 9999999	LIN-PIA-IMD-MEA-QTY-ALI-DTM-GIN-QVR-FTX-SG27-SG28-SG29-SG30-SG31-SG33-SG34-SG35-SG39-SG45-SG47			
	<b>LIN</b>	M 1	Line item To identify a line item and configuration.			
Business Term	DE	EDIFACT	Format	St	*	Description
Sub line to describe and invoice units included in assortment/display	1082	Line item identifier	an..6	R		Application generated number of the item lines within the proforma invoice.
	1229	Action request/ notification description code	an..3	N		
	C212	Item number identification		D		
GTIN- Article identifikation (Display content, invoiced)	7140	Item identifier	an..35	R		GTIN, Format n..14
	7143	Item type identification code	an..3	R	*	SRV <b>GS1 Global Trade Item Number</b>
	1131	Code list identification code	an..17	N		
	3055	Code list responsible agency code	an..3	N		
	C829	Sub-line information		D		
	5495	Sub-line indicator code	an..3	R	*	1 <b>Sub-line information</b>
	1082	Line item identifier	an..6	R		Reference to line item numbe
<p>Segmentgroup status: This segment group is only used if content units of assortments/displays are invoiced on their own!</p> <p>Segmentstatus: Mandatory</p> <p>One LIN sub line has to be indicated per unit included in assortment. The display and each contained unit are identified with their own, different GTIN.</p> <p>Notes:</p> <p>The (main) line does not provide price information.</p> <p>C829 and DE 7083: These composites are only used when sub-lines are required.</p> <p>FOR A COMPLETE DESCRIPTION ON THE USAGE OF SUB-LINES PLEASE REFER TO PART I, SECTION 4.10 OF THE EANCOM 2002 MANUAL.</p> <p>Example: <b>LIN+4++4000862141423:SRV+1:1'</b>                      Sub line to describe and invoice units included in assortment/display.</p>						

Max. Occ. = Maximum Occurrence, St = Status, \* = Restricted Codes  
 Status: M=Mandatory, R=Required, O=Optional, D=Dependent, A=Advised, N=Not used



## Segment Layout

### 4.Detail section - invoiced units included in assortment

No. Seg	St	Max. Occ.				
154	<b>SG26</b>	R	9999999	LIN-PIA-IMD-MEA-QTY-ALI-DTM-GIN-QVR-FTX-SG27-SG28-SG29-SG30-SG31-SG33-SG34-SG35-SG39-SG45-SG47		
	<b>PIA</b>	D	1	Additional product id To specify additional or substitutional item identification codes.		
Business Term	DE	EDIFACT	Format	St	*	Description
	4347	Product identifier code qualifier	an..3	M	*	5 Product identification
	C212	Item number identification		M		
Suppliers article number (Display content, invoiced)	7140	Item identifier	an..35	R		
	7143	Item type identification code	an..3	R	*	SA Supplier's article number
	1131	Code list identification code	an..17	N		
	3055	Code list responsible agency code	an..3	R	*	91 Assigned by supplier or supplier's agent
<p>Segmentstatus: Mandatory, if LIN segment does not provide a GTIN, otherwise segment is not used.</p> <p>This segment is only used, if LIN segment does not provide a GTIN. It than must follow the LIN segment immediatly. In this case LIN segment (mandatory) only provides the line item number and indication of sub line level. Identification of the article is done by use of the suppliers article number in this PIA segment, DE 4347 is filled with "5" for primary identification.</p> <p>Example: PIA+5+ABC5343:SA: :91'</p> <p>Only if LIN does not provide GTIN: Articleidentification in PIA</p>						

Max. Occ. = Maximum Occurrence, St = Status, \* = Restricted Codes  
 Status: M=Mandatory, R=Required, O=Optional, D=Dependent, A=Advised, N=Not used

### Segment Layout

#### 4.Detail section - invoiced units included in assortment

No. Seg	St	Max. Occ.				
<b>SG26</b>	R	9999999	LIN-PIA-IMD-MEA-QTY-ALI-DTM-GIN-QVR-FTX-SG27-SG28-SG29-SG30-SG31-SG33-SG34-SG35-SG39-SG45-SG47			
155	<b>PIA</b>	D 1	Additional product id To specify additional or substitutional item identification codes.			
Business Term	DE	EDIFACT	Format	St	*	Description
	4347	Product identifier code qualifier	an..3	M	*	1 Additional identification
	C212	Item number identification		M		
Suppliers article number (Display content, invoiced)	7140	Item identifier	an..35	R		
	7143	Item type identification code	an..3	R	*	SA Supplier's article number
	1131	Code list identification code	an..17	N		
	3055	Code list responsible agency code	an..3	R	*	91 Assigned by supplier or supplier's agent
	C212	Item number identification		O		
Buyer's part number (Display content, invoiced)	7140	Item identifier	an..35	R		
	7143	Item type identification code	an..3	R	*	IN Buyer's item number
	1131	Code list identification code	an..17	N		
	3055	Code list responsible agency code	an..3	R	*	92 Assigned by buyer or buyer's agent
	C212	Item number identification		O		
Article group code (Display content, invoiced)	7140	Item identifier	an..35	R		
	7143	Item type identification code	an..3	R	*	GN National product group code
	1131	Code list identification code	an..17	N		
	3055	Code list responsible agency code	an..3	R	*	246 GS1 Germany
	C212	Item number identification		O		
Serial number (Display content, invoiced)	7140	Item identifier	an..35	R		
	7143	Item type identification code	an..3	R	*	SN Serial number
	1131	Code list identification code	an..17	O		

Max. Occ. = Maximum Occurrence, St = Status, \* = Restricted Codes  
 Status: M=Mandatory, R=Required, O=Optional, D=Dependent, A=Advised, N=Not used

## Segment Layout

### 4.Detail section - invoiced units included in assortment

Business Term	DE	EDIFACT	Format	St	*	Description
	3055	Code list responsible agency code	an..3	R	*	91 Assigned by supplier or supplier's agent

Segmentstatus: Mandatory to provide suppliers article number, all other information are optional.

This segment is used to specify additional item identification codes such as a buyer's or supplier's item number.

Example: PIA+1+ABC5343:SA: :91+XYZ987:IN: :92+1111:GN: :246+0815:SN: :91'

Suppliers internal article number ABC5343, Buyers article number XYZ987, Article Group number 1111, Serial number 0815.

Max. Occ. = Maximum Occurrence, St = Status, \* = Restricted Codes

Status: M=Mandatory, R=Required, O=Optional, D=Dependent, A=Advised, N=Not used

## Segment Layout

### 4.Detail section - invoiced units included in assortment

No. Seg	St	Max. Occ.				
156	<b>SG26</b>	R 9999999	LIN-PIA-IMD-MEA-QTY-ALI-DTM-GIN-QVR-FTX-SG27-SG28-SG29-SG30-SG31-SG33-SG34-SG35-SG39-SG45-SG47			
	<b>PIA</b>	O 1	Additional product id To specify additional or substitutional item identification codes.			
Business Term	DE	EDIFACT	Format	St	*	Description
	4347	Product identifier code qualifier	an..3	M	*	1 <b>Additional identification</b>
	C212	Item number identification		M		
<b>Batch number (Display content, invoiced)</b>	7140	Item identifier	an..35	R		
	7143	Item type identification code	an..3	R	*	NB <b>Batch number</b>
	1131	Code list identification code	an..17	N		
	3055	Code list responsible agency code	an..3	R	*	91 <b>Assigned by supplier or supplier's agent</b>
	C212	Item number identification		O		
<b>Harmonised system (Display content, invoiced)</b>	7140	Item identifier	an..35	R		
	7143	Item type identification code	an..3	R	*	HS <b>Harmonised system</b>
	1131	Code list identification code	an..17	N		
	3055	Code list responsible agency code	an..3	D		
	C212	Item number identification		O		
<b>Articles promotional variant (Display content, invoiced)</b>	7140	Item identifier	an..35	R		
	7143	Item type identification code	an..3	R	*	PV <b>Promotional variant number</b>
	1131	Code list identification code	an..17	N		
	3055	Code list responsible agency code	an..3	R	*	9 <b>GS1</b> 91 <b>Assigned by supplier or supplier's agent</b> 92 <b>Assigned by buyer or buyer's agent</b>
Segmentstatus: Optional						
This segment is used if the previous PIA segment can not provide all relevant information.						

Max. Occ. = Maximum Occurrence, St = Status, \* = Restricted Codes  
 Status: M=Mandatory, R=Required, O=Optional, D=Dependent, A=Advised, N=Not used

## Segment Layout

---

### 4.Detail section - invoiced units included in assortment

Example: PIA+1+CH-5343:NB: :91+XYZ987:HS+4012368259753:PV: :91 '  
Batch number, Harmonized system, Promotional variant.

Max. Occ. = Maximum Occurrence, St = Status, \* = Restricted Codes  
Status: M=Mandatory, R=Required, O=Optional, D=Dependent, A=Advised, N=Not used

## Segment Layout

### 4.Detail section - invoiced units included in assortment

No. Seg	St	Max. Occ.				
<b>SG26</b>	R	9999999	LIN-PIA-IMD-MEA-QTY-ALI-DTM-GIN-QVR-FTX-SG27-SG28-SG29-SG30-SG31-SG33-SG34-SG35-SG39-SG45-SG47			
157	<b>PIA</b>	O 1	Additional product id To specify additional or substitutional item identification codes.			
Business Term	DE	EDIFACT	Format	St	*	Description
	4347	Product identifier code qualifier	an..3	M	*	1 <b>Additional identification</b>
	C212	Item number identification		M		
<b>GPC - GS1 Global Product Classification</b>	7140	Item identifier	an..35	R		
	7143	Item type identification code	an..3	R	*	<b>BRI Brick Code (GS1 Temporary Code)</b>
	1131	Code list identification code	an..17	N		
	3055	Code list responsible agency code	an..3	R	*	9 <b>GS1</b>
Segmentstatus: Optional						
This segment is used to specify additional item identification codes.						
Example: <code>PIA+1+10000276:BRI::9'</code> Brick Code for wine						

Max. Occ. = Maximum Occurrence, St = Status, \* = Restricted Codes  
 Status: M=Mandatory, R=Required, O=Optional, D=Dependent, A=Advised, N=Not used

## Segment Layout

### 4.Detail section - invoiced units included in assortment

No. Seg	St	Max. Occ.				
<b>SG26</b>	R	9999999	LIN-PIA-IMD-MEA-QTY-ALI-DTM-GIN-QVR-FTX-SG27-SG28-SG29-SG30-SG31-SG33-SG34-SG35-SG39-SG45-SG47			
158	<b>PIA</b>	O 1	Additional product id To specify additional or substitutional item identification codes.			
Business Term	DE	EDIFACT	Format	St	*	Description
	4347	Product identifier code qualifier	an..3	M	*	1 Additional identification
	C212	Item number identification		M		
<b>GPC - Attribute type</b>	7140	Item identifier	an..35	R		
	7143	Item type identification code	an..3	R	*	GAT GPC Brick attribute type (GS1 Temporary Code)
	1131	Code list identification code	an..17	N		
	3055	Code list responsible agency code	an..3	R	*	9 GS1
	C212	Item number identification		O		
<b>GPC - Attribute value</b>	7140	Item identifier	an..35	R		
	7143	Item type identification code	an..3	R	*	GAV GPC brick attribute value (GS1 Temporary Code)
	1131	Code list identification code	an..17	N		
	3055	Code list responsible agency code	an..3	R	*	9 GS1
Segmentstatus: Optional						
This segment is used to specify additional item identification codes.						
This segment may only be used if the prior PIA segment indicates DE 7143 = BRI. Attribute type and attribute value have to be indicated together in this segment. For transmission of multiple attributes this PIA segment will be repeated.						
Example: PIA+1+20000217:GAT::9+30002816:GAV::9' Attribute type Colour of wine, Attribute value rosé						

Max. Occ. = Maximum Occurrence, St = Status, \* = Restricted Codes  
Status: M=Mandatory, R=Required, O=Optional, D=Dependent, A=Advised, N=Not used

### Segment Layout

#### 4.Detail section - invoiced units included in assortment

No. Seg	St	Max. Occ.				
159	<b>SG26</b>	R 9999999	LIN-PIA-IMD-MEA-QTY-ALI-DTM-GIN-QVR-FTX-SG27-SG28-SG29-SG30-SG31-SG33-SG34-SG35-SG39-SG45-SG47			
	<b>IMD</b>	R 99	Item description To describe an item in either an industry or free format.			
Business Term	DE	EDIFACT	Format	St	*	Description
	7077	Description format code	an..3	O	*	C Code (from industry code list)
	C272	Item characteristic		O		
	7081	Item characteristic code	an..3	N		
	C273	Item description		A		
Invoiced unit (Display content, invoiced)	7009	Item description code	an..17	R	*	IN Invoicing unit (GS1 Permanent Code)
	1131	Code list identification code	an..17	N		
	3055	Code list responsible agency code	an..3	D	*	9 GS1 Must be used if DE 7009 contains a GS1 Code
Segmentstatus: Mandatory						
This segment is used to provide a description for the current line item.						
Example: <b>IMD+C++IN: :9'</b> The article is an invoiced unit.						

Max. Occ. = Maximum Occurrence, St = Status, \* = Restricted Codes  
 Status: M=Mandatory, R=Required, O=Optional, D=Dependent, A=Advised, N=Not used



### Segment Layout

4.Detail section - invoiced units included in assortment

No. Seg	St	Max. Occ.				
160	<b>SG26</b>	R 9999999	LIN-PIA-IMD-MEA-QTY-ALI-DTM-GIN-QVR-FTX-SG27-SG28-SG29-SG30-SG31-SG33-SG34-SG35-SG39-SG45-SG47			
	<b>IMD</b>	R 1	Item description To describe an item in either an industry or free format.			
Business Term	DE	EDIFACT	Format	St	*	Description
	7077	Description format code	an..3	R	*	C Code (from industry code list)
	C272	Item characteristic		N		
	7081	Item characteristic code	an..3			
	C273	Item description		R		
Consumer unit (Display content, invoiced)	7009	Item description code	an..17	R	*	CU Consumer unit (GS1 Permanent Code) TU Traded unit (GS1 Permanent Code)
	1131	Code list identification code	an..17	N		
	3055	Code list responsible agency code	an..3	D	*	9 GS1 Must be used if DE 7009 contains a GS1 Code
<p>Segmentstatus: Mandatory</p> <p>This segment is used to provide a description for the current line item.                      Note to DE 7009: If the product is not a consumer unit (CU), code value "TU" is used. Only one description is allowed.</p> <p>Example: <b>IMD+C++CU::9'</b>                      The article is a consumer unit.</p>						

Max. Occ. = Maximum Occurrence, St = Status, \* = Restricted Codes  
 Status: M=Mandatory, R=Required, O=Optional, D=Dependent, A=Advised, N=Not used

### Segment Layout

#### 4.Detail section - invoiced units included in assortment

No.	Seg	St	Max.	Occ.		
161	<b>SG26</b>	R	9999999		LIN-PIA-IMD-MEA-QTY-ALI-DTM-GIN-QVR-FTX-SG27-SG28-SG29-SG30-SG31-SG33-SG34-SG35-SG39-SG45-SG47	
	<b>IMD</b>	O	1		Item description To describe an item in either an industry or free format.	
Business Term	DE	EDIFACT	Format	St	*	Description
	7077	Description format code	an..3	R	*	C Code (from industry code list)
	C272	Item characteristic		N		
	7081	Item characteristic code	an..3	R		
	C273	Item description		R		
Reusable empties (deposit)	7009	Item description code	an..17	R	*	RC Returnable container (GS1 Permanent Code)
	1131	Code list identification code	an..17	N		
	3055	Code list responsible agency code	an..3	D	*	9 GS1 Must be used if DE 7009 contains a GS1 Code
Segmentstatus: Optional						
This segment is used to provide a description for the current line item.						
This segment is used to identify the GTIN of LIN segment as being reusable empties (deposit).						
Example: <b>IMD+C++RC::9'</b> GTIN identifies reusable empties (deposit)						

Max. Occ. = Maximum Occurrence, St = Status, \* = Restricted Codes  
 Status: M=Mandatory, R=Required, O=Optional, D=Dependent, A=Advised, N=Not used

## Segment Layout

### 4.Detail section - invoiced units included in assortment

No. Seg	St	Max. Occ.				
162	<b>SG26</b>	R 9999999	LIN-PIA-IMD-MEA-QTY-ALI-DTM-GIN-QVR-FTX-SG27-SG28-SG29-SG30-SG31-SG33-SG34-SG35-SG39-SG45-SG47			
	<b>IMD</b>	O 1	Item description To describe an item in either an industry or free format.			
Business Term	DE	EDIFACT	Format	St	*	Description
	7077	Description format code	an..3	R	*	C Code (from industry code list)
	C272	Item characteristic		N		
	7081	Item characteristic code	an..3	R		
	C273	Item description		R		
One way empties (deposit)	7009	Item description code	an..17	R	*	NRC Non-returnable container (GS1 Permanent Code)
	1131	Code list identification code	an..17	N		
	3055	Code list responsible agency code	an..3	D	*	9 GS1 Must be used because DE 7009 contains no EDIFACT Code
Segmentstatus: Optional						
This segment is used to provide a description for the current line item.						
This segment is used to identify the GTIN of LIN segment as being one way empties (deposit).						
Example: <b>IMD+C++NRC::9'</b> One way empties (deposit)						

Max. Occ. = Maximum Occurrence, St = Status, \* = Restricted Codes  
 Status: M=Mandatory, R=Required, O=Optional, D=Dependent, A=Advised, N=Not used

## Segment Layout

### 4.Detail section - invoiced units included in assortment

No. Seg	St	Max. Occ.				
163	<b>SG26</b>	R 9999999	LIN-PIA-IMD-MEA-QTY-ALI-DTM-GIN-QVR-FTX-SG27-SG28-SG29-SG30-SG31-SG33-SG34-SG35-SG39-SG45-SG47			
	<b>IMD</b>	R 1	Item description To describe an item in either an industry or free format.			
Business Term	DE	EDIFACT	Format	St	*	Description
	7077	Description format code	an..3	O	*	A Free-form long description
	C272	Item characteristic		N		
	7081	Item characteristic code	an..3			
	C273	Item description		A		
	7009	Item description code	an..17	N		
	1131	Code list identification code	an..17	N		
	3055	Code list responsible agency code	an..3	N		
Article long description (Display content, invoiced)	7008	Item description	an..25	R		
	7008	Item description	an..25	N		
	3453	Language name code	an..3	O		ISO 639 2-Alpha Code
<p>Segmentstatus: Mandatory</p> <p>This segment is used to provide a description for the current line item.</p> <p>Example: <b>IMD+A++:::Rüssel von Rudi::DE'</b> The article description is: Rüssel von Rudi.</p>						

Max. Occ. = Maximum Occurrence, St = Status, \* = Restricted Codes  
 Status: M=Mandatory, R=Required, O=Optional, D=Dependent, A=Advised, N=Not used

## Segment Layout

### 4.Detail section - invoiced units included in assortment

No. Seg	St	Max. Occ.				
164	<b>SG26</b>	R 9999999	LIN-PIA-IMD-MEA-QTY-ALI-DTM-GIN-QVR-FTX-SG27-SG28-SG29-SG30-SG31-SG33-SG34-SG35-SG39-SG45-SG47			
	<b>MEA</b>	O 1	Measurements To specify physical measurements, including dimension tolerances, weights and counts.			
Business Term	DE	EDIFACT	Format	St	*	Description
	6311	Measurement purpose code qualifier	an..3	M	*	AAI <b>Item weight</b>
	C502	Measurement details		A		
	6313	Measured attribute code	an..3	A		AAA Unit net weight AAB Unit gross weight
	6321	Measurement significance code	an..3	N		
	6155	Non-discrete measurement name code	an..17	N		
	6154	Non-discrete measurement name	an..70	N		
	C174	Value/range		R		
	6411	Measurement unit code	an..3	M		
<b>Article weight (Display content, invoiced)</b>	6314	Measurement value	an..18	O		
<p>Segmentstatus: Optional</p> <p>This MEA segment indicates the weight of an article contained in an assortment/display.</p> <p>Example: <b>MEA+AAI+AAA+GRM:6370'</b>                      Weight of the article is 63,7 kg net</p>						

Max. Occ. = Maximum Occurrence, St = Status, \* = Restricted Codes  
 Status: M=Mandatory, R=Required, O=Optional, D=Dependent, A=Advised, N=Not used

## Segment Layout

### 4.Detail section - invoiced units included in assortment

No. Seg	St	Max. Occ.				
165			<b>SG26</b> R 9999999 LIN-PIA-IMD-MEA-QTY-ALI-DTM-GIN-QVR-FTX-SG27-SG28-SG29-SG30-SG31-SG33-SG34-SG35-SG39-SG45-SG47  <b>QTY</b> R 1 Quantity To specify a pertinent quantity.			
Business Term	DE	EDIFACT	Format	St	*	Description
	C186	Quantity details		M		
	6063	Quantity type code qualifier	an..3	M	*	47 <b>Invoiced quantity</b>
<b>Quantity content display(s)</b>	6060	Quantity	an..35	M		Note: Use only numeric values.
	6411	Measurement unit code	an..3	D		(e.g. one single cigarette) All code values from EANCOM odelist 6411 available
Segmentstatus: Mandatory  This segment provides the total number of units contained in all delivered assortments/displays of the current line, i.e. the quantity per display/assortment is multiplied by the number of invoiced displays/assortments indicated at (main) line level. In case of credits in the proforma invoice the amount must be provided with the correct sign.  DE 6411 is only used, if the article is a variable quantity article. Default value is piece.  Example: <b>QTY+47:1'</b> 1 piece is invoiced						

Max. Occ. = Maximum Occurrence, St = Status, \* = Restricted Codes  
 Status: M=Mandatory, R=Required, O=Optional, D=Dependent, A=Advised, N=Not used

## Segment Layout

### 4.Detail section - invoiced units included in assortment

No. Seg	St	Max. Occ.				
166	<b>SG26</b>	R 9999999	LIN-PIA-IMD-MEA-QTY-ALI-DTM-GIN-QVR-FTX-SG27-SG28-SG29-SG30-SG31-SG33-SG34-SG35-SG39-SG45-SG47			
	<b>QTY</b>	O 1	Quantity To specify a pertinent quantity.			
Business Term	DE	EDIFACT	Format	St	*	Description
	C186	Quantity details		M		
	6063	Quantity type code qualifier	an..3	M	*	192 <b>Free goods quantity</b>
<b>Free goods quantity (Display content, invoiced)</b>	6060	Quantity	an..35	M		Note: Use only numeric values.
	6411	Measurement unit code	an..3	D		(e.g. one single cigarette) All code values from EANCOM codelist 6411 available
<p>Segmentstatus: Optional</p> <p>This segment can be used to provide free goods quantity. In case of credits in the proforma invoice the amount must be provided with the correct sign.</p> <p>The use of more than one QTY segment needs to be bilaterally agreed.</p> <p>Concerning the possibilities of use see "agreements detail section" in chapter "Introduction".</p> <p>DE 6411 is only used, if the article is a variable quantity article. Default value is piece.</p> <p>Example: <b>QTY+192:1'</b> 1 piece without invoicing.</p>						

Max. Occ. = Maximum Occurrence, St = Status, \* = Restricted Codes  
 Status: M=Mandatory, R=Required, O=Optional, D=Dependent, A=Advised, N=Not used

## Segment Layout

### 4.Detail section - invoiced units included in assortment

No.	Seg	St	Max.	Occ.			
	<b>SG26</b>	R	9999999		LIN-PIA-IMD-MEA-QTY-ALI-DTM-GIN-QVR-FTX-SG27-SG28-SG29-SG30-SG31-SG33-SG34-SG35-SG39-SG45-SG47		
167	<b>ALI</b>	O	1		Additional information To indicate that special conditions due to the origin, customs preference, fiscal or commercial factors are applicable.		
Business Term	DE	EDIFACT	Format	St	*	Description	
	3239	Country of origin name code	an..3	N			
	9213	Duty regime type code	an..3	N			
Not subject to discount (Display content, invoiced)	4183	Special condition code	an..3	O	*	15 Not subject to discount	
Segmentstatus: Optional							
This segment can show that the current line item is not subject to discount.							
Example: ALI+++15'							
The line item is not subject for discount, e.g. deposit invoicing							

Max. Occ. = Maximum Occurrence, St = Status, \* = Restricted Codes  
 Status: M=Mandatory, R=Required, O=Optional, D=Dependent, A=Advised, N=Not used



## Segment Layout

### 4.Detail section - invoiced units included in assortment

No. Seg	St	Max. Occ.				
<b>SG26</b>	R	9999999	LIN-PIA-IMD-MEA-QTY-ALI-DTM-GIN-QVR-FTX-SG27-SG28-SG29-SG30-SG31-SG33-SG34-SG35-SG39-SG45-SG47			
<b>SG27</b>	O	1	MOA			
168 <b>MOA</b>	M	1	Monetary amount			
To specify a monetary amount.						
Business Term	DE	EDIFACT	Format	St	*	Description
	C516	Monetary amount		M		
	5025	Monetary amount type code qualifier	an..3	M	*	203 Line item amount
Line item amount (Display content, invoiced)	5004	Monetary amount	n..35	R		
<p>Segmentstatus: Optional, except the document is an electronic proforma invoice with prices.</p> <p>This segment provides the line amount and takes the place of the equivalent MOA segment at (main) line level.</p> <p>If the price given in the PRI segment is a gross price, the Item Amount is calculated = (Quantity * Unit Gross Price) + Charges - Allowances. If applicable, allowances and charges must be provided. If the price given in the PRI segment is a net price, the Item Amount is calculated = Quantity * Unit Net Price. Allowances and charges only have informative character.</p> <p>If necessary the minus sign has to be used in proforma invoices.</p> <p>Important note:</p> <p>WITHIN ONE MESSAGE ONLY ONE METHOD IS ALLOWED TO USE.</p> <p>Example: MOA+203:108.13'</p> <p>The line item amount is 108.13 EURO.</p>						

Max. Occ. = Maximum Occurrence, St = Status, \* = Restricted Codes  
 Status: M=Mandatory, R=Required, O=Optional, D=Dependent, A=Advised, N=Not used

### Segment Layout

4.Detail section - invoiced units included in assortment

No.	Seg	St	Max.	Occ.	
	<b>SG26</b>	R	9999999		LIN-PIA-IMD-MEA-QTY-ALI-DTM-GIN-QVR-FTX-SG27-SG28-SG29-SG30-SG31-SG33-SG34-SG35-SG39-SG45-SG47
	<b>SG27</b>	O	1		MOA
169	<b>MOA</b>	M	1		Monetary amount To specify a monetary amount.
Business Term	DE	EDIFACT	Format	St	* Description
	C516	Monetary amount		M	
	5025	Monetary amount type code qualifier	an..3	M	* 131 Total charges/allowances
Total charges/allowances (Display content, invoiced)	5004	Monetary amount	n..35	R	
<p>Segmentstatus: Optional</p> <p>The use of this segment is mandatory, if calculatable discounts are present on detail level. It is the total amount of all allowances and charges , that have influence on the calculation of the line item amount.</p> <p>Note on DE 5004: &gt;&gt;&gt;&gt; The amount must be provided with the correct sign &lt;&lt;&lt;&lt;&lt;</p> <p>Example: MOA+131:-1.65' The total allowances for this line are 1.65 EURO.</p>					

Max. Occ. = Maximum Occurrence, St = Status, \* = Restricted Codes  
 Status: M=Mandatory, R=Required, O=Optional, D=Dependent, A=Advised, N=Not used

### Segment Layout

4.Detail section - invoiced units included in assortment

No.	Seg	St	Max.	Occ.	
	<b>SG26</b>	R	9999999		LIN-PIA-IMD-MEA-QTY-ALI-DTM-GIN-QVR-FTX-SG27-SG28-SG29-SG30-SG31-SG33-SG34-SG35-SG39-SG45-SG47
	<b>SG29</b>	O	1		PRI-APR
170	<b>PRI</b>	M	1		Price details

To specify price information.

Business Term	DE	EDIFACT	Format	St	*	Description
	C509	Price information		R		
	5125	Price code qualifier	an..3	M	*	AAA Calculation net
Single price per invoiced unit net (Display content, invoiced)	5118	Price amount	n..15	R		
	5375	Price type code	an..3	N		
	5387	Price specification code	an..3	O		
Unit price basis (Display content, invoiced)	5284	Unit price basis value	n..9	D		
	6411	Measurement unit code	an..3	D		H87 Piece (Old code value: PCE) (e.g. one single cigarette) EA each KGM kilogram LTR litre MTR metre All code values from EANCOM code list 6411 and UN/ECE Recommendation 20 code list available.

Segmentstatus: Mandatory

This segment must be used to provide price information to calculate the line item amount.

Within the invoice only one calculation method is allowed to determine the line item amount.

Example: PRI+AAA:9.98:::1:H87'

The net price is 9.98 EURO.

Max. Occ. = Maximum Occurrence, St = Status, \* = Restricted Codes  
 Status: M=Mandatory, R=Required, O=Optional, D=Dependent, A=Advised, N=Not used

## Segment Layout

### 4.Detail section - invoiced units included in assortment

No. Seg	St	Max. Occ.				
<b>SG26</b>	R	9999999	LIN-PIA-IMD-MEA-QTY-ALI-DTM-GIN-QVR-FTX-SG27-SG28-SG29-SG30-SG31-SG33-SG34-SG35-SG39-SG45-SG47			
<b>SG29</b>	O	1	PRI-APR			
<b>PRI</b>	M	1	Price details			
171			To specify price information.			
Business Term	DE	EDIFACT	Format	St	*	Description
	C509	Price information		R		
	5125	Price code qualifier	an..3	M	*	AAB Calculation gross
Single price per invoiced unit gross (Display content, invoiced)	5118	Price amount	n..15	R		
	5375	Price type code	an..3	N		
	5387	Price specification code	an..3	O		
Unit price basis (Display content, invoiced)	5284	Unit price basis value	n..9	D		
	6411	Measurement unit code	an..3	D		H87 Piece (Old code value: PCE) (e.g. one single cigarette) EA each KGM kilogram LTR litre MTR metre All code values from EANCOM code list 6411 and UN/ECE Recommendation 20 code list available.
Segmentstatus: Mandatory						
This segment must be used to provide price information to calculate the line item amount.						
Within the invoice only one calculation method is allowed to determine the line item amount.						
Example: PRI+AAB:9.98:::1:H87'						
The gross price is 9.98 EURO.						

Max. Occ. = Maximum Occurrence, St = Status, \* = Restricted Codes  
 Status: M=Mandatory, R=Required, O=Optional, D=Dependent, A=Advised, N=Not used

### Segment Layout

4.Detail section - invoiced units included in assortment

No.	Seg	St	Max.	Occ.	
	<b>SG26</b>	R	9999999		LIN-PIA-IMD-MEA-QTY-ALI-DTM-GIN-QVR-FTX-SG27-SG28-SG29-SG30-SG31-SG33-SG34-SG35-SG39-SG45-SG47
	<b>SG29</b>	O	1		PRI-APR
172	<b>PRI</b>	M	1		Price details
To specify price information.					

Business Term	DE	EDIFACT	Format	St	*	Description
	C509	Price information		R		
	5125	Price code qualifier	an..3	M	*	AAE Information price, excluding allowances or charges, including taxes
Retail price (Display content, invoiced) Small unit retail price (Display content, tobacco)	5118	Price amount	n..15	R		
	5375	Price type code	an..3	N		
	5387	Price specification code	an..3	C	*	SRP Suggested retail price
Unit price basis (Display content, invoiced)	5284	Unit price basis value	n..9	D		
	6411	Measurement unit code	an..3	D		H87 Piece (Old code value: PCE) (e.g. one single cigarette) EA each KGM kilogram LTR litre MTR metre All code values from EANCOM code list 6411 and UN/ECE Recommendation 20 code list available.

Segmentstatus: Optional

This segment can be use to provide the retail price.

Example: PRI+AAE:19.98::SRP:1:H87'

The suggested retail price per piece ist 19.98 EURO incl. tax.

Max. Occ. = Maximum Occurrence, St = Status, \* = Restricted Codes  
 Status: M=Mandatory, R=Required, O=Optional, D=Dependent, A=Advised, N=Not used

## Segment Layout

### 4.Detail section - invoiced units included in assortment

No.	Seg	St	Max.	Occ.	
	<b>SG26</b>	R	9999999		LIN-PIA-IMD-MEA-QTY-ALI-DTM-GIN-QVR-FTX-SG27-SG28-SG29-SG30-SG31-SG33-SG34-SG35-SG39-SG45-SG47
	<b>SG31</b>	O	1		PAC-MEA-SG32
173	<b>PAC</b>	M	1		Package
To describe the number and type of packages/physical units.					
Business Term	DE	EDIFACT	Format	St	* Description
Number of packages (Display content, invoiced)	7224	Package quantity	n..8	O	only for fruit/vegetables or textile, otherwise N
	C531	Packaging details		O	
	7075	Packaging level code	an..3	N	
	7233	Packaging related description code	an..3	N	
	7073	Packaging terms and conditions code	an..3	N	
	C202	Package type		O	
Type of package (Display content, invoiced)	7065	Package type description code	an..17	A	All code values from EANCOM codelist 7065 available
	1131	Code list identification code	an..17	O	
	3055	Code list responsible agency code	an..3	D	
Type of package (Display content, invoiced)	7064	Type of packages	an..35	O	e.g. "12x6"
Segmentstatus: Optional					
This segment is used to provide the package type.					
Example: PAC+++AE:::12x6'					
Possibility to provide package type.					

Max. Occ. = Maximum Occurrence, St = Status, \* = Restricted Codes  
 Status: M=Mandatory, R=Required, O=Optional, D=Dependent, A=Advised, N=Not used

## Segment Layout

### 4.Detail section - invoiced units included in assortment

No. Seg	St	Max. Occ.				
<b>SG26</b>	R	9999999	LIN-PIA-IMD-MEA-QTY-ALI-DTM-GIN-QVR-FTX-SG27-SG28-SG29-SG30-SG31-SG33-SG34-SG35-SG39-SG45-SG47			
<b>SG34</b>	D	1	TAX-MOA			
<b>TAX</b>	M	1	Duty/tax/fee details			
174			To specify relevant duty/tax/fee information.			
Business Term	DE	EDIFACT	Format	St	*	Description
	5283	Duty or tax or fee function code qualifier	an..3	M	*	7 Tax
	C241	Duty/tax/fee type		D		
VAT (Display content, invoiced)	5153	Duty or tax or fee type name code	an..3	O	*	VAT Value added tax
	1131	Code list identification code	an..17	O		
	3055	Code list responsible agency code	an..3	D		
	5152	Duty or tax or fee type name	an..35	O		
	C533	Duty/tax/fee account detail		O		
	5289	Duty or tax or fee account code	an..6	M		
	1131	Code list identification code	an..17	O		
	3055	Code list responsible agency code	an..3	D		
	5286	Duty or tax or fee assessment basis value	an..15	O		
	C243	Duty/tax/fee detail		A		
	5279	Duty or tax or fee rate code	an..7	O		
	1131	Code list identification code	an..17	O		
	3055	Code list responsible agency code	an..3	D		
	5278	Duty or tax or fee rate	an..17	R		Actual tax rate
	5273	Duty or tax or fee rate basis code	an..12	O		
	1131	Code list identification code	an..17	O		
	3055	Code list responsible agency code	an..3	D		
	5305	Duty or tax or fee category code	an..3	R		E Exempt from tax S Standard rate O Services outside scope of tax
Segmentstatus: Depending						
The main tax rate has been indicated in the heading section of the message. Should the occasion						

Max. Occ. = Maximum Occurrence, St = Status, \* = Restricted Codes  
 Status: M=Mandatory, R=Required, O=Optional, D=Dependent, A=Advised, N=Not used

## Segment Layout

---

### 4.Detail section - invoiced units included in assortment

arise different tax rates have to be indicated here at detail level.

Note to DE 5278 and 5305: if the business volume is free of tax, DE 5278 must contain 0 (zero).

Example: TAX+7+VAT+ABC123++:::19+S'

The VAT rate for the current line item is 19%.

Max. Occ. = Maximum Occurrence, St = Status, \* = Restricted Codes

Status: M=Mandatory, R=Required, O=Optional, D=Dependent, A=Advised, N=Not used



**Segment Layout**

4.Detail section - invoiced units included in assortment

No. Seg	St	Max. Occ.				
<b>SG26</b>	R	9999999	LIN-PIA-IMD-MEA-QTY-ALI-DTM-GIN-QVR-FTX-SG27-SG28-SG29-SG30-SG31-SG33-SG34-SG35-SG39-SG45-SG47			
<b>SG39</b>	O	30	ALC-ALI-DTM-SG40-SG41-SG42-SG43-SG44			
175 <b>ALC</b>	M	1	Allowance or charge To identify allowance or charge details.			
Business Term	DE	EDIFACT	Format	St	*	Description
	5463	Allowance or charge code qualifier	an..3	M	*	A Allowance C Charge
	C552	Allowance/charge information		O		
Type of allowance/charge (Display content, invoiced)	1230	Allowance or charge identifier	an..35	D		The use of this dataelement has to be agreed mutually between the trading partners.
	5189	Allowance or charge identification code	an..3	N		
	4471	Settlement means code	an..3	N		
	1227	Calculation sequence code	an..3	R		1 First step of calculation 2 Second step of calculation etc. etc. etc. 9 Ninth step of calculation
	C214	Special services identification		D		
	7161	Special service description code	an..3	R		AA Advertising allowance Advertising (document) DI Discount Discount (document) EAB Early payment allowance Early payment allowance (document) MAC Minimum order/minimum billing charge Minimum quantity charge (dokument) NAA Non-returnable containers Waste management allowance (document) RAA Rebate Rebate i.e. Bonus

Max. Occ. = Maximum Occurrence, St = Status, \* = Restricted Codes  
Status: M=Mandatory, R=Required, O=Optional, D=Dependent, A=Advised, N=Not used

## Segment Layout

### 4.Detail section - invoiced units included in assortment

Business Term	DE	EDIFACT	Format	St	*	Description
						(document) SH Special handling service Price labelling (document) CRS Collection and recycling service (GS1_DE code) Collection and recycling service (document) BON Direct bonus (GS1_DE code) Direct bous (document)
	1131	Code list identification code	an..17	N		
	3055	Code list responsible agency code	an..3	D	*	246 <b>GS1 Germany</b> Must be used if DE7161 contains no EDIFACT Code.

Segmentstatus: Optional

One segment group 39 has to be used for each allowance/charge on line level.

Allowances and charges in the heading section of a message are independent from those in the detail section, e.g. ALC at detail level does not override ALC at heading level.

Example: ALC+A+Absprache++1+DI: :246'  
Article discount :

Max. Occ. = Maximum Occurrence, St = Status, \* = Restricted Codes  
Status: M=Mandatory, R=Required, O=Optional, D=Dependent, A=Advised, N=Not used

### Segment Layout

#### 4.Detail section - invoiced units included in assortment

No. Seg	St	Max. Occ.			
<b>SG26</b>	R	9999999	LIN-PIA-IMD-MEA-QTY-ALI-DTM-GIN-QVR-FTX-SG27-SG28-SG29-SG30-SG31-SG33-SG34-SG35-SG39-SG45-SG47		
<b>SG39</b>	O	30	ALC-ALI-DTM-SG40-SG41-SG42-SG43-SG44		
<b>SG40</b>	O	1	QTY		
176 <b>QTY</b>	M	1	Quantity To specify a pertinent quantity.		
Business Term	DE	EDIFACT	Format	St	* Description
	C186	Quantity details		M	
	6063	Quantity type code qualifier	an..3	M	* 1 Discrete quantity
Basis for discount quantity (Display content, invoiced)	6060	Quantity	an..35	M	Note: Use only numeric values.
	6411	Measurement unit code	an..3	D	H87 Piece (Old code value: PCE) (e.g. one single cigarette) EA each KGM kilogram LTR litre MTR metre All code values from EANCOM code list 6411 and UN/ECE Recommendation 20 code list available.
<p>Segmentstatus: Optional</p> <p>This segment within the ALC segment group is used to specify quantity upon which discounts are applicable for the line item being invoiced.</p> <p>DE 6411 is only used, if the article is a variable quantity article. Default value is piece.</p> <p>Example: QTY+1:12:H87' Quantity discount 12 pieces</p>					

Max. Occ. = Maximum Occurrence, St = Status, \* = Restricted Codes  
Status: M=Mandatory, R=Required, O=Optional, D=Dependent, A=Advised, N=Not used

### Segment Layout

4.Detail section - invoiced units included in assortment

No.	Seg	St	Max.	Occ.	
	<b>SG26</b>	R	9999999		LIN-PIA-IMD-MEA-QTY-ALI-DTM-GIN-QVR-FTX-SG27-SG28-SG29-SG30-SG31-SG33-SG34-SG35-SG39-SG45-SG47
	<b>SG39</b>	O	30		ALC-ALI-DTM-SG40-SG41-SG42-SG43-SG44
	<b>SG41</b>	O	1		PCD
177	<b>PCD</b>	M	1		Percentage details To specify percentage information.

Business Term	DE	EDIFACT	Format	St	*	Description
	C501	Percentage details		M		
	5245	Percentage type code qualifier	an..3	M	*	3 Allowance or charge
Percentage allowance/charge (Display content, invoiced)	5482	Percentage	n..10	R		

Segmentstatus: Optional

This segment is used to specify percentage discounts for the line item being invoiced.

Example: PCD+3:0.75'  
0.75%

Max. Occ. = Maximum Occurrence, St = Status, \* = Restricted Codes  
 Status: M=Mandatory, R=Required, O=Optional, D=Dependent, A=Advised, N=Not used

### Segment Layout

4.Detail section - invoiced units included in assortment

No.	Seg	St	Max.	Occ.	
	<b>SG26</b>	R	9999999		LIN-PIA-IMD-MEA-QTY-ALI-DTM-GIN-QVR-FTX-SG27-SG28-SG29-SG30-SG31-SG33-SG34-SG35-SG39-SG45-SG47
	<b>SG39</b>	O	30		ALC-ALI-DTM-SG40-SG41-SG42-SG43-SG44
	<b>SG42</b>	O	2		MOA
178	<b>MOA</b>	M	1		Monetary amount To specify a monetary amount.
Business Term	DE	EDIFACT	Format	St	* Description
	C516	Monetary amount		M	
	5025	Monetary amount type code qualifier	an..3	M	* 8 Allowance or charge amount
Allowance amount (Display content, invoiced)	5004	Monetary amount	n..35	R	
Segmentstatus: Optional					
This segment is used to specify monetary discounts for the line item being invoiced.					
Example: MOA+8:1.65' equals an allowance of 1.65 EURO.					

Max. Occ. = Maximum Occurrence, St = Status, \* = Restricted Codes  
 Status: M=Mandatory, R=Required, O=Optional, D=Dependent, A=Advised, N=Not used

## Segment Layout

### 4.Detail section - invoiced units included in assortment

No.	Seg	St	Max. Occ.	
	<b>SG26</b>	R	9999999	LIN-PIA-IMD-MEA-QTY-ALI-DTM-GIN-QVR-FTX-SG27-SG28-SG29-SG30-SG31-SG33-SG34-SG35-SG39-SG45-SG47
	<b>SG39</b>	O	30	ALC-ALI-DTM-SG40-SG41-SG42-SG43-SG44
	<b>SG42</b>	O	2	MOA
179	<b>MOA</b>	M	1	Monetary amount To specify a monetary amount.

Business Term	DE	EDIFACT	Format	St	*	Description
	C516	Monetary amount		M		
	5025	Monetary amount type code qualifier	an..3	M	*	25 Charge/allowance basis
Basis amount allowance/charge (Display content, invoiced)	5004	Monetary amount	n..35	R		

Segmentstatus: Optional

This segment is used to provide the basis amount to calculate an allowance or charge.

Example: MOA+25:108'  
Basis amount: 108 EURO.

Max. Occ. = Maximum Occurrence, St = Status, \* = Restricted Codes  
Status: M=Mandatory, R=Required, O=Optional, D=Dependent, A=Advised, N=Not used

### Segment Layout

4.Detail section - invoiced units included in assortment

No. Seg	St	Max. Occ.				
<b>SG26</b>	R	9999999	LIN-PIA-IMD-MEA-QTY-ALI-DTM-GIN-QVR-FTX-SG27-SG28-SG29-SG30-SG31-SG33-SG34-SG35-SG39-SG45-SG47			
<b>SG39</b>	O	30	ALC-ALI-DTM-SG40-SG41-SG42-SG43-SG44			
<b>SG43</b>	O	1	RTE			
180 <b>RTE</b>	M	1	Rate details To specify rate information.			
Business Term	DE	EDIFACT	Format	St	*	Description
	C128	Rate details		M		
	5419	Rate type code qualifier	an..3	M	*	1 Allowance rate 2 Charge rate
Allowance/charge rate (Display content, invoiced)	5420	Unit price basis rate	n..15	M		
	5284	Unit price basis value	n..9	O		Quantity for the effective rate
	6411	Measurement unit code	an..3	O		H87 Piece (Old code value: PCE) (e.g. one single cigarette) All code values from EANCOM code list 6411 and UN/ECE Recommendation 20 code list available.
Segmentstatus: Optional						
This segment is used to specify allowance or charge rates for the line item being invoiced.						
Example: RTE+1:1.25:100:H87' Allowance: 1.25 EURO per 100 pieces.						

Max. Occ. = Maximum Occurrence, St = Status, \* = Restricted Codes  
Status: M=Mandatory, R=Required, O=Optional, D=Dependent, A=Advised, N=Not used

## Segment Layout

Summary section  
Summary section

No. Seg	St	Max. Occ.				
181	<b>UNS</b>	M 1	Section control			
To separate header, detail and summary sections of a message.						
Notes:						
1. To be used by message designers when required to avoid ambiguities. Mandatory only if specified for the type of message concerned.						
Business Term	DE	EDIFACT	Format	St	*	Description
	0081	Section identification	a1	M	*	S <b>Detail/summary section separation</b>
Segmentstatus: Mandatory						
This segment is used to identify the break between the message detail and message trailer sections.						
Example: UNS+S'						
Separation of detail- and summary section						

Max. Occ. = Maximum Occurrence, St = Status, \* = Restricted Codes  
Status: M=Mandatory, R=Required, O=Optional, D=Dependent, A=Advised, N=Not used



## Segment Layout

### Summary section (totals)

No. Seg	St	Max. Occ.				
182	<b>SG50</b>	R 1	MOA-SG51			
	<b>MOA</b>	M 1	Monetary amount			
To specify a monetary amount.						
Business Term	DE	EDIFACT	Format	St	*	Description
	C516	Monetary amount		M		
	5025	Monetary amount type code qualifier	an..3	M	*	77 Invoice amount
<b>Total amount</b>	5004	Monetary amount	n..35	R		
<p>This segmentgroup is used to provide total amounts for the whole proforma invoice.                      Segmentstatus: Mandatory (see note)</p> <p>This segment provides the total amount.</p> <p>Note:</p> <p>For syntctical reasons segment group 50 must contain one MOA segment at least. If no monetary amounts are provided MOA+77 will be the default value.</p> <p>If necessary the minus sign has to be used in proforma invoices.</p> <p>Concerning "significant zeroes" see section "Introduction".</p> <p>Example: MOA+77:105.16'                      The total amount is 105,16 EURO.</p>						

Max. Occ. = Maximum Occurrence, St = Status, \* = Restricted Codes  
 Status: M=Mandatory, R=Required, O=Optional, D=Dependent, A=Advised, N=Not used

## Segment Layout

### Summary section (totals)

No. Seg	St	Max. Occ.				
183	<b>SG50</b>	R 1	MOA-SG51			
	<b>MOA</b>	M 1	Monetary amount			
To specify a monetary amount.						
Business Term	DE	EDIFACT	Format	St	*	Description
	C516	Monetary amount		M		
	5025	Monetary amount type code qualifier	an..3	M	*	79 Total line items amount
Proforma invoice total line items amount	5004	Monetary amount	n..35	R		
<p>Segmentstatus: Mandatory, if amounts have been expressed at line level, else omitted.</p> <p>This MOA segment provides the proforma invoice total line amount.</p> <p>If necessary the minus sign has to be used in proforma invoices.</p> <p>Concerning "significant zeroes" see section "Introduction".</p> <p>Example: MOA+79:108.13'</p> <p>The total of all net line amounts is 108.13 EURO.</p>						

Max. Occ. = Maximum Occurrence, St = Status, \* = Restricted Codes  
 Status: M=Mandatory, R=Required, O=Optional, D=Dependent, A=Advised, N=Not used

## Segment Layout

### Summary section (totals)

No. Seg	St	Max. Occ.				
184	<b>SG50</b>	D 1	MOA-SG51			
	<b>MOA</b>	M 1	Monetary amount			
To specify a monetary amount.						
Business Term	DE	EDIFACT	Format	St	*	Description
	C516	Monetary amount		M		
	5025	Monetary amount type code qualifier	an..3	M	*	131 Total charges/allowances
<b>Total charges/allowances</b>	5004	Monetary amount	n..35	R		
<p>Segmentstatus: Mandatory, if allowances/charges have been calculated on invoice level.</p> <p>This MOA segment provides the total of all allowances/charges on document level.</p> <p>Note on DE 5004: &gt;&gt;&gt;&gt; The amount must be provided with the correct sign &lt;&lt;&lt;&lt;&lt;</p> <p>Concerning "significant zeroes" see section "Introduction".</p> <p>Example: MOA+131: -2.97'</p> <p>The total of all allowances/charges on document level is 2.97 EURO.</p>						

Max. Occ. = Maximum Occurrence, St = Status, \* = Restricted Codes  
 Status: M=Mandatory, R=Required, O=Optional, D=Dependent, A=Advised, N=Not used

## Segment Layout

### Summary section (totals)

No. Seg	St	Max. Occ.				
185	<b>SG50</b>	O 1	MOA-SG51			
	<b>MOA</b>	M 1	Monetary amount			
To specify a monetary amount.						
Business Term	DE	EDIFACT	Format	St	*	Description
	C516	Monetary amount		M		
	5025	Monetary amount type code qualifier	an..3	M	*	402 <b>Total retail value</b>
<b>Total retail value</b>	5004	Monetary amount	n..35	R		
Segmentstatus: Optional						
This segment is used to provide the total retail value. In case of credits in the proforma invoice the amount must be provided with the correct sign.						
Concerning "significant zeroes" see section "Introduction".						
Example: MOA+402:219.78'						
Total retail value is 219.78 EURO.						

Max. Occ. = Maximum Occurrence, St = Status, \* = Restricted Codes  
 Status: M=Mandatory, R=Required, O=Optional, D=Dependent, A=Advised, N=Not used

### Segment Layout

Summary section (per tax rate)

No. Seg	St	Max. Occ.				
186	<b>SG52</b>	D 10	TAX-MOA			
	<b>TAX</b>	M 1	Duty/tax/fee details			
To specify relevant duty/tax/fee information.						
Business Term	DE	EDIFACT	Format	St	*	Description
	5283	Duty or tax or fee function code qualifier	an..3	M	*	7 Tax
	C241	Duty/tax/fee type		D		
Tax per invoice amount	5153	Duty or tax or fee type name code	an..3	O	*	VAT Value added tax
	1131	Code list identification code	an..17	O		
	3055	Code list responsible agency code	an..3	D		
	5152	Duty or tax or fee type name	an..35	O		
	C533	Duty/tax/fee account detail		O		
	5289	Duty or tax or fee account code	an..6	M		
	1131	Code list identification code	an..17	O		
	3055	Code list responsible agency code	an..3	D		
	5286	Duty or tax or fee assessment basis value	an..15	O		
	C243	Duty/tax/fee detail		A		
	5279	Duty or tax or fee rate code	an..7	O		
	1131	Code list identification code	an..17	O		
	3055	Code list responsible agency code	an..3	D		
	5278	Duty or tax or fee rate	an..17	R		Actual tax rate
	5273	Duty or tax or fee rate basis code	an..12	O		
	1131	Code list identification code	an..17	O		
	3055	Code list responsible agency code	an..3	D		
	5305	Duty or tax or fee category code	an..3	R		E Exempt from tax S Standard rate O Services outside scope of tax
Segmentgroup status: Depending, i.e. this SG is only used if the proforma invoice contains more than one tax rate.						
If the proforma invoice contains more than one tax rate, this segment group has to be made up for every existent tax rate, i.e. if only one tax rate is used, segment group 52 is LEFT OUT.						

Max. Occ. = Maximum Occurrence, St = Status, \* = Restricted Codes  
 Status: M=Mandatory, R=Required, O=Optional, D=Dependent, A=Advised, N=Not used

## Segment Layout

---

### Summary section (per tax rate)

Note to DE 5278 and 5305: if the business volume is free of tax, DE 5278 must contain 0 (zero).

Example: TAX+7+VAT+ABC123++:::16+S'

The amounts based on a tax rate of 19% are:

## Segment Layout

### Summary section (per tax rate)

No. Seg	St	Max. Occ.				
187	<b>SG52</b>	D 10	TAX-MOA			
	<b>MOA</b>	D 9	Monetary amount			
To specify a monetary amount.						
Business Term	DE	EDIFACT	Format	St	*	Description
	C516	Monetary amount		M		
	5025	Monetary amount type code qualifier	an..3	M	*	79 Total line items amount
Invoice total line items amount per tax rate	5004	Monetary amount	n..35	R		
<p>Segmentstatus: Mandatory, if line amounts are provided at line level, else omitted.</p> <p>This MOA segment provides the document total line amount.</p> <p>In case of credits in the proforma invoice the amount must be provided with the correct sign.</p> <p>Concerning "significant zeroes" see section "Introduction".</p> <p>Example: MOA+79:108.13'</p> <p>The total of all net line amounts is 108.13 EURO.</p>						

Max. Occ. = Maximum Occurrence, St = Status, \* = Restricted Codes  
 Status: M=Mandatory, R=Required, O=Optional, D=Dependent, A=Advised, N=Not used

## Segment Layout

### Summary section (per tax rate)

No. Seg	St	Max. Occ.				
188	<b>SG52</b>	D 10	TAX-MOA			
	<b>MOA</b>	D 9	Monetary amount			
To specify a monetary amount.						
Business Term	DE	EDIFACT	Format	St	*	Description
	C516	Monetary amount		M		
	5025	Monetary amount type code qualifier	an..3	M	*	131 Total charges/allowances
Total charges/allowances per tax rate	5004	Monetary amount	n..35	R		
<p>Segmentstatus: Mandatory, if allowances/charges have been calculated on invoice level.</p> <p>This MOA segment provides the total of all allowances/charges on proforma invoice level per tax rate.</p> <p>Note to DE 5004: &gt;&gt;&gt;&gt; The amount must be provided with the correct sign &lt;&lt;&lt;&lt;</p> <p>Concerning "significant zeroes" see section "Introduction".</p> <p>Example: MOA+131:2.97'                      The total of all allowances/Charges per tax rate on document level is 2,97 EURO.</p>						

Max. Occ. = Maximum Occurrence, St = Status, \* = Restricted Codes  
 Status: M=Mandatory, R=Required, O=Optional, D=Dependent, A=Advised, N=Not used



## Segment Layout

### Summary section (totals)

No. Seg	St	Max. Occ.				
189			<b>SG52</b>	D 10	TAX-MOA	
			<b>MOA</b>	O 9	Monetary amount	
To specify a monetary amount.						
Business Term	DE	EDIFACT	Format	St	*	Description
	C516	Monetary amount		M		
	5025	Monetary amount type code qualifier	an..3	M	*	402 <b>Total retail value</b>
<b>Total retail value per VAT rate</b>	5004	Monetary amount	n..35	R		
Segmentstatus: Optional						
This segment is used to provide the total retail value per VAT rate. In case of credits in the proforma invoice the amount must be provided with the correct sign.						
Concerning "significant zeroes" see section "Introduction".						
Example: <b>MOA+402:219.78'</b> Total retail value is 219.78 EURO.						

Max. Occ. = Maximum Occurrence, St = Status, \* = Restricted Codes  
 Status: M=Mandatory, R=Required, O=Optional, D=Dependent, A=Advised, N=Not used

## Segment Layout

### End of the message

No. Seg	St	Max. Occ.				
190	<b>UNT</b>	M 1	Message trailer To end and check the completeness of a message.			
Business Term	DE	EDIFACT	Format	St	*	Description
Total number of segments	0074	Number of segments in the message	n..6	M		
	0062	Message reference number	an..14	M		The message reference numbered detailed here should equal the one specified in the UNH segment
<p>Segmentstatus: Mandatory</p> <p>This segment is a mandatory UN/EDIFACT segment. It must always be the last segment in the message.</p> <p>Example: UNT+212+ME000001' Number of segments in the message</p>						

Max. Occ. = Maximum Occurrence, St = Status, \* = Restricted Codes  
 Status: M=Mandatory, R=Required, O=Optional, D=Dependent, A=Advised, N=Not used

## Segment Layout

No. Seg	St	Max. Occ.				
191	<b>UNZ</b>	M 1	Interchange trailer To end and check the completeness of an interchange.			
Business Term	DE	EDIFACT	Format	St	*	Description
End of the transmission file, Number of messages or message groups	0036	Interchange control count	n..6	M		Number of messages or message groups in the transmission file.
Interchange control reference, end	0020	Interchange control reference	an..14	M		Interchange control reference, identical with UNB DE 0020.
<p>The UNZ segment is the last segment of the transmission file.</p> <p>Note DE 0036: If functional groups are not used, this is the number of messages within the interchange.</p> <p>Example: UNZ+1+4711' The transmission file contains 1 message.</p>						

Max. Occ. = Maximum Occurrence, St = Status, \* = Restricted Codes  
 Status: M=Mandatory, R=Required, O=Optional, D=Dependent, A=Advised, N=Not used

## Used Codes

---

<b>0001</b>	<p>Syntax identifier Coded identification of the agency controlling a syntax and syntax level used in an interchange.</p> <p>Notes: 1. a3, upper case, Controlling Agency (e.g. UNO=UN/ECE) and a1 stating level (e.g. A) (which together give UNOA).</p>
UNOA	<p>UN/ECE level A As defined in the basic code table of ISO 646 with the exceptions of lower case letters, alternative graphic character allocations and national or application-oriented graphic character allocations.</p>
UNOB	<p>UN/ECE level B As defined in the basic code table of ISO 646 with the exceptions of alternative graphic character allocations and national or application-oriented graphic character allocations.</p>
UNOC	<p>UN/ECE level C As defined in ISO/IEC 8859-1 : Information technology - Part 1: Latin alphabet No. 1.</p>
UNOD	<p>UN/ECE level D As defined in ISO/IEC 8859-2 : Information technology - Part 2: Latin alphabet No. 2.</p>
UNOE	<p>UN/ECE level E As defined in ISO/IEC 8859-5 : Information technology - Part 5: Latin/Cyrillic alphabet.</p>
UNOF	<p>UN/ECE level F As defined in ISO 8859-7 : Information processing - Part 7: Latin/Greek alphabet.</p>
<b>0002</b>	<p>Syntax version number Version number of the syntax identified in the syntax identifier (0001)</p> <p>Notes: 1. Increments 1 for each version.</p>
3	<p>Version 3 ISO 9735 Amendment 1:1992. GS1 Description: Syntax version number 3. This code can be used with all of the character sets (A, B, C, D, E and F).</p>

**Used Codes**

<b>0007</b>	Partner identification code qualifier Qualifier referring to the source of codes for the identifiers of interchanging partners.  Notes: 1. Used with sender/recipient identification code.
14	GS1 Partner identification code assigned by GS1, an international organization of GS1 Member Organizations that manages the GS1 System.
<b>0025</b>	Recipient's reference/password qualifier Qualifier for the recipient's reference or password.  Notes: 1. If specified in IA.
AA	Reference Recipient's reference/password is a reference.
BB	Password Recipient's reference/password is a password.
<b>0029</b>	Processing priority code Code determined by the sender requesting processing priority for the interchange.  Notes: 1. Used if specified in IA.
A	Highest priority Requested processing priority is the highest.
<b>0031</b>	Acknowledgement request Code determined by the sender for acknowledgement of the interchange.  Notes: 1. Set = 1 if sender requests acknowledgement, i.e. UNB and UNZ segments received and identified.
1	Requested Acknowledgement is requested.
<b>0035</b>	Test indicator Indication that the interchange is a test.  Notes: 1. Set = 1 if the interchange is a test. Otherwise not used.

## Used Codes

---

1	Interchange is a test Indicates that the interchange is a test.
<b>0051</b>	Controlling agency Code to identify the agency controlling the specification, maintenance and publication of the message type.
UN	UN/CEFACT United Nations Centre for Trade Facilitation and Electronic Business (UN/CEFACT). GS1 Description: UN Economic Commission for Europe (UN/ECE), Committee on the development of trade (TRADE), Working Party on facilitation of international trade procedures (WP.4).
<b>0052</b>	Message version number Version number of a message type.  Notes: 1. If UNG/UNE is used, shall be identical in UNG and UNE. The representation of 0052 was specified as n..3 in version 1 of ISO 9735.
D	Draft version/UN/EDIFACT Directory Message approved and issued as a draft message (Valid for directories published after March 1993 and prior to March 1997). Message approved as a standard message (Valid for directories published after March 1997).
<b>0054</b>	Message release number Release number within the current message type version number (0052).  Notes: 1. The representation of 0054 was specified as n..3 in version 1 of ISO 9735.
01B	Release 2001 - B Message approved and issued in the second 2001 release of the UNTDID (United Nations Trade Data Interchange Directory).
<b>0057</b>	Association assigned code A code assigned by the association responsible for the design and maintenance of the message type concerned, which further identifies the message.
EAN011	GS1 version control number (GS1 Permanent Code) Indicates that the message is an EANCOM message in version 011.
<b>0065</b>	Message type Code identifying a type of message and assigned by its controlling agency.  Notes: 1. Type of message being transmitted.

## Used Codes

---

INVOIC	<p>Invoice message A code to identify the invoice message.</p> <p>GS1 Description: Message claiming payment for goods or services supplied under conditions agreed between the seller and the buyer. The UNSM invoice message, with correct data qualification, serves also as the specification for debit note and credit note messages.</p>
<b>0081</b>	<p>Section identification Separates sections in a message.</p>
S	<p>Detail/summary section separation To qualify the segment UNS, when separating the detail from the summary section of a message.</p>
<b>1001</b>	<p>Document name code Code specifying the document name.</p>
325	<p>Proforma invoice Document/message serving as a preliminary invoice, containing - on the whole - the same information as the final invoice, but not actually claiming payment.</p>
<b>1131</b>	<p>Code list identification code Code identifying a user or association maintained code list.</p> <p>Notes: 1. The codes for this data element are provided by the code list responsible agency defined in data element 3055.</p>
23	<p>Clearing house automated payment Self explanatory.</p> <p>Notes: This code value will be removed effective with directory D.04A.</p> <p>GS1 Description: Banking community' automated payment clearing system.</p>
25	<p>Bank identification Code for identification of banks.</p> <p>Notes: This code value will be removed effective with directory D.04A.</p>
106	<p>Incoterms 1980 (4110) Code to indicate applicable Incoterm (1980 edition) under which seller undertakes to deliver merchandise to buyer (ICC). Incoterms 1990: use 4053 only.</p> <p>Notes: This code value will be removed effective with directory D.04A.</p>

**Used Codes**

132	Charge Identification of a type of charge.  Notes: This code value will be removed effective with directory D.04A.
154	Bank branch sorting identification Identification of a specific branch of a bank.  Notes: This code value will be removed effective with directory D.04A.
157	Clearing code Identification of the responsible bank/clearing house which has cleared or is ordered to do the clearing.  Notes: This code value will be removed effective with directory D.04A.
166	Social security identification Code assigned by the authority competent to issue social security identification to identify a person.  Notes: This code value will be removed effective with directory D.04A.
174	Citizen identification Self explanatory.  Notes: This code value will be removed effective with directory D.04A. GS1 Description: Code issued by national authority competent to issue citizen identification to identify a person.
1E	Incoterms 1990 (GS1 Temporary Code) Incoterms 1990 as published by the International Chamber of Commerce (ICC).
2E	Incoterms 2000 (GS1 Temporary Code) Incoterms 2000 as published by the International Chamber of Commerce (ICC).
3E	Incoterms 2010 (GS1 Temporary Code) Incoterms 2010 as published by the International Chamber of Commerce (ICC).
ADR	Accord Europeen au transport international dangereuses (GS1 Temporary Code) A European agreement concerning the international carriage of dangerous goods by road.



**Used Codes**

BR	Brand (GS1 Temporary Code) An identifying mark or label on the products of a particular company, or the kind or make of a commodity.
CA	Category (GS1 Temporary Code) A class or division in a scheme of classification.
CO	Colour (GS1 Temporary Code) Description of the colour required/available on the goods.
FL	Flavor (GS1 Temporary Code) The characteristic quality of goods.
HMT	Hazardous material standard text (GS1 Temporary Code) Code indicating agreed standard text on hazardous materials.
LOC	Location Code (GS1 Temporary Code) This is a code to indicate where the EAS tag is located on the Trade Item. Values include On outside of Trade Item, Concealed inside Trade Item, Integrated Inside Trade Item.
OAG	Organic Claim Agency (GS1 Temporary Code) A governing body that creates and maintain standards related to organic products.
OCO	Organic Trade Item Code (GS1 Temporary Code) Used to indicate the organic status of a trade item or of one or more of its components.
OUM	Ordering unit of measure (GS1 Temporary Code) The alternate Unit of Measure of how Trade Items are ordered by the Retailer under one Unit of Measure, but sold under another Unit of Measure.
SKB	SKRS recommendation (GS1 Temporary Code) SKRS recommendation for standard clothes hanger.
SRN	Service relation number (GS1 Temporary Code) A number used to identify a database entry which records recurring services, e.g., treatment of a patient in a hospital, usage by a member of a library facilities, etc.
ST	Style (GS1 Temporary Code) Specific or characteristic design in any goods.
SUM	Selling unit of measure (GS1 Temporary Code) Describes the measurement used for selling unit of the Trade Item to the end consumer.
SZ	Size (GS1 Temporary Code) Any of a series of graded classifications of measure into which goods are divided.

**Used Codes**

SZG	Size Group (GS1 Temporary Code) A description of the variable size that is necessary to uniquely specify the size of the item in conjunction with the nonpackaged size dimension.
TYP	Type Code (GS1 Temporary Code) This is a code to indicate the type of EAS tag located on the Trade Item. Values include Acousto-Magnetic, Electro-Magnetic, Ink or dye, Microwave, Radio Frequency.
X11	Diet Allergen (GS1 Temporary Code) Indication of which dietary or allergen marks that are on the package.
X12	Environment (GS1 Temporary Code) Indication of which environmental marks (e.g. recycling schemes) that are on trade item package.
X13	Ethical (GS1 Temporary Code) Indication of which ethical trading marks that are on the package.
X14	Free Form (GS1 Temporary Code) Indication of which free-from marks that are on the package.
X15	Expiration date (GS1 Temporary Code) Indicates the type of expiration date marked on the packaging.
X16	Nesting Direction (GS1 Temporary Code) Depicts the arrangement of two items that nest together specifically whether they nest against each other or on top of each other.
X17	Package Marks Hygienic (GS1 Temporary Code) Indication of which hygiene markings are present in the product package
X18	Hazardous Components are Removable (GS1 Temporary Code) An indicator if any hazardous components contained within the trade item can easily be separated from the other materials to facilitate product recycling.
X19	Trade Item Has Refuse Obligations (GS1 Temporary Code) Indicates if there are special disposal obligations that apply to the trade item for example INTRASTAT.
X20	Trade Item Is Designed for Easy Disassembly (GS1 Temporary Code) Indicates that the trade item is designed for easy disassembly by recycling facilities using standard industry tools.
X21	Trade Item Is Rigid Plastic Packaging Container (GS1 Temporary Code) Indicates that a product is or is contained in a Rigid Plastic Packaging Container (RPPC) as defined by laws in the target market.
X22	Trade Item Is ROHS Compliant (GS1 Temporary Code) Indicates if the product is compliant with the European Union RoHS Directive.
X23	Trade Item Is Universal Waste (GS1 Temporary Code) Indicates if a product can be considered universal waste.

**Used Codes**

X24	Trade Item Is Consumer Upgradeable Or Maintainable (GS1 Temporary Code) Indicates if a product can be easily upgraded or have parts replaced by the consumer.
X25	Trade Item Contains Short Chain Chlorinated Paraffins (GS1 Temporary Code) Indicate if the trade item and/or its components contain paints, coatings, plastics or other materials containing short chain chlorinated paraffins (SCCPs).
X26	Trade Item Contains Pesticide (GS1 Temporary Code) Indicates if the trade item is advertised or labelled as a chemical or contains a chemical that is advertised or labelled to kill, repel or prevent the growth of any living organism.
X27	Trade Item Contains Propellant (GS1 Temporary Code) Indicates if a trade item contains a compressed gas or propellant.
X28	Trade Item Contains Polyvinyl Chloride (GS1 Temporary Code) Indicate if product contains Polyvinyl Chloride (PVC), a widely used thermoplastic polymer.
X29	Trade Item Chemical Is Not Intended For Human Consumption (GS1 Temporary Code) Indicates that the trade item is or contains a Liquid, Gel, Paste, Powder, or Flammable solid not intended for human consumption (ingested).
X30	ROHS Compliance Failure Material (GS1 Temporary Code) The material used in the trade item that does not comply with the ROHS Directives
X31	Packaging Terms And Condition (GS1 Temporary Code) Indicates if the packaging given in the described packaging configuration is a rented, exchangeable, against deposit or one way/not reusable.
X32	Warranty Effective Date Type (GS1 Temporary Code) The type of date associated with the warranty trade item usually expressed as an event date for the item for example date of purchase, date of manufacture or date of delivery.
X33	Warranty Type (GS1 Temporary Code) Type of warranty available for the part, e.g. labour, distance, extended service.
X35	Warranty Constraint (GS1 Temporary Code) Defines the relationship between different guarantee terms, e.g. "and", "or", "the stronger", "the weaker".
X36	Seasonal Availability End Date (GS1 Temporary Code) Indicates the end date of the trade item's seasonal availability.
X37	Seasonal Availability Start Date (GS1 Temporary Code) Indicates the start date of the trade item's seasonal availability.

**Used Codes**

X38	Season Calendar Year (GS1 Temporary Code) This element indicates the calendar year in which the trade item is seasonally available.
X39	Season Parameter (GS1 Temporary Code) Indication of the season, in which the trade item is available.
X40	Trade Item Automatic Power Down is Enabled (GS1 Temporary Code) An indicator whether a product is enabled with auto power down feature when shipped to the customer.
X41	Electrical Usage Agency Code (GS1 Temporary Code) The agency that regulates electrical usage for products within a target market.
X42	Nesting Type (GS1 Temporary Code) Depicts whether a nested item fits inside or over the other item in a nesting relationship.
X43	Display Dimension Type Code (GS1 Temporary Code) Depicts certain display scenarios used for measurement.
X44	Manufacturer Has Take Back Program (GS1 Temporary Code) Indicates if the manufacturer of the trade item offers any take back programs to consumers for the product to be reused, remanufactured or recycled by the manufacturer.
X45	Display Resolution (GS1 Temporary Code) The display resolution of a television or computer display.
X46	Orientation Preference Sequence (GS1 Temporary Code) Depicts the preferred sequence of orientation used to communicate the manufacturers relative preferences of orientation.
X47	Orientation Type (GS1 Temporary Code) Depicts via code a display orientation for a trade item.
X48	Electrical Usage Trade Item Classification Code (GS1 Temporary Code) A classification code value from a product classification scheme provided to drive required information for electrical usage.
X49	Electrical Usage Trade Item Classification Name (GS1 Temporary Code) A classification name from a product classification scheme provided to drive required information for electrical usage.
X50	Electrical Usage SubClassification Code (GS1 Temporary Code) A sub-classification code value from a product classification scheme provided to drive required information for electrical usage.
X51	Electrical Usage SubClassification Name (GS1 Temporary Code) A sub-classification name provided to drive required information for electrical usage.

## Used Codes

---

X52	Confirmation Status Code (GS1 Temporary Code) The CIC Confirmation Code must be of a type of code number that can be generated automatically by a computer system.
X53	Confirmation Status Code Description (GS1 Temporary Code) Provides the code description that matches up with the Code that can possibly be generated automatically by a computer system.
X54	Additional Confirmation Status Description (GS1 Temporary Code) Provides a way to communicate human entered information that may not be covered by the machine to machine codes and descriptions.
X55	Corrective Action (GS1 Temporary Code) Provides the corrective action code to fix the issue that caused the problem.
X56	Expected Corrective Information (GS1 Temporary Code) Provides the expected corrective information via a human entered information that may not be covered by the machine to machine codes.
X57	Electrical Usage Trade Item Classification Agency (GS1 Temporary Code) A classification agency or organisation whose product classification scheme is being provided to drive required information for electrical usage.
X58	ASFIS (GS1 Permanent Code) FAO alphah-3 code list for fish species identification, commercial name & scientific name.
X59	FAO fishing areas (GS1 Permanent Code) FAO fishing areas codelist.
X60	FAO Fishing gear type (GS1 Permanent Code) FAO Fishing gear type codelist.
X61	EU fish quality (GS1 Permanent Code) EU fish quality grade code list (E, A, B, C).
X62	EU fish size (GS1 Permanent Code) EU fish standardized size code list (1, 2, 3, 4, 5 & One_Size).
X63	EU fish presentation (GS1 Permanent Code) EU fish presentation code list (3 or 5 char alpha code).
ZZZ	Mutually defined Self explanatory. Note : This code value will be removed effective with directory D.04A.
<b>1153</b>	Reference code qualifier Code qualifying a reference.
AAK	Despatch advice number Reference number assigned by issuing party to a despatch advice.

**Used Codes**

AAS	Transport document number [1188] Reference assigned by the carrier or his agent to the transport document.
ACE	Related document number Reference number identifying a related document.
AGB	Contract party reference number Reference number assigned to a party for a particular contract.
AGG	Dispute number Reference number to a dispute notice. GS1 Description: A reference number identifying a previously transmitted commercial dispute.
ALO	Receiving advice number A reference number to a receiving advice.
ALQ	Returns notice number A reference number to a returns notice.
AXO	Product certification number Number assigned by a governing body (or their agents) to a product which certifies compliance with a standard. GS1 Note: Replaces GS1 Temporary Code XC1.
CT	Contract number Reference number of a contract concluded between parties.
DM	Document number [1004] Reference number assigned to the document by the issuer.
DQ	Delivery note number Reference number assigned by the issuer to a delivery note.
FC	Fiscal number Tax payer's number. Number assigned to individual persons as well as to corporates by a public institution; this number is different from the VAT registration number.
GN	Government reference number A number that identifies a government reference. GS1 Description: This code value should not be used to provide the tax identification number for a party (use code VA).
IT	Internal customer number Number assigned by a seller, supplier etc. to identify a customer within his enterprise.
IV	Invoice number [1334] Reference number assigned by the seller to a Commercial Invoice.

**Used Codes**

ON	Order number (buyer) [1022] Reference number assigned by the buyer to an order.
POR	Purchase order response number Reference number assigned by the seller to an order response.
UC	Ultimate customer's reference number The originator's reference number as forwarded in a sequence of parties involved.
VA	VAT registration number Unique number assigned by the relevant tax authority to identify a party for use in relation to Value Added Tax (VAT).
YC1	Additional party identification (GS1 Temporary Code) Reference number to an additional party identification. This number may be the internal trading partner identification number used by a party to identify its trading parties.
<b>1225</b>	Message function code Code indicating the function of the message.
7	Duplicate The message is a duplicate of a previously generated message.
9	Original Initial transmission related to a given transaction.
<b>1227</b>	Calculation sequence code Code specifying a calculation sequence.
1	First step of calculation Code specifying the first step of a calculation.
2	Second step of calculation Code specifying the second step of a calculation.
3	Third step of calculation Code specifying the third step of a calculation.
4	Fourth step of calculation Code specifying the fourth step of a calculation.
5	Fifth step of calculation Code specifying the fifth step of a calculation.
6	Sixth step of calculation Code specifying the sixth step of a calculation.
7	Seventh step of calculation Code specifying the seventh step of a calculation.

**Used Codes**

8	Eighth step of calculation Code specifying the eighth step of a calculation.
9	Ninth step of calculation Code specifying the ninth step of a calculation.
<b>2005</b>	Date or time or period function code qualifier Code qualifying the function of a date, time or period.
12	Terms discount due date/time Date by which payment should be made if discount terms are to apply.
13	Terms net due date Date by which payment must be made.
35	Delivery date/time, actual Date/time on which goods or consignment are delivered at their destination.
94	Production/manufacture date Date on which goods are produced.
137	Document/message date/time (2006) Date/time when a document/message is issued. This may include authentication.
171	Reference date/time Date/time on which the reference was issued.
199	Positioning date/time of goods The date and/or time the goods have to be or have been positioned.
200	Pick-up/collection date/time of cargo Date/time at which the cargo is picked up.
209	Value date Date on which the funds are at the disposal of the beneficiary or cease to be at the disposal of the ordering customer.
263	Invoicing period Period for which an invoice is issued.
<b>2379</b>	Date or time or period format code Code specifying the representation of a date, time or period.
2	DDMMYY Calendar date: D = Day; M = Month; Y = Year.
101	YYMMDD Calendar date: Y = Year; M = Month; D = Day.
102	CCYYMMDD Calendar date: C = Century ; Y = Year ; M = Month ; D = Day.



**Used Codes**

104	MMWW-MMWW A period of time specified by giving the start week of a month followed by the end week of a month. Data is to be transmitted as consecutive characters without hyphen.
107	DDD Day's number within a specific year: D = Day.
108	WW Week's number within a specific year: W = Week.
109	MM Month's number within a specific year: M = Month.
110	DD Day's number within is a specific month.
201	YYMMDDHHMM Calendar date including time without seconds: Y = Year; M = Month; D = Day; H = Hour; M = Minute.
203	CCYYMMDDHHMM Calendar date including time with minutes: C=Century; Y=Year; M=Month; D=Day; H=Hour; M=Minutes.
204	CCYYMMDDHHMMSS Calendar date including time with seconds: C=Century;Y=Year; M=Month; D=Day;H=Hour;M=Minute;S=Second.
401	HHMM Time without seconds: H = Hour; m = Minute.
501	HHMMHHMM Time span without seconds: H = Hour; m = Minute;.
502	HHMMSS-HHMMSS Format of period to be given without hyphen.
602	CCYY Calendar year including century: C = Century; Y = Year.
609	YYMM Month within a calendar year: Y = Year; M = Month.
610	CCYYMM Month within a calendar year: CC = Century; Y = Year; M = Month.
615	YYWW Week within a calendar year: Y = Year; W = Week 1st week of January = week 01.
616	CCYYWW Week within a calendar year: CC = Century; Y = Year; W = Week (1st week of January = week 01).

**Used Codes**

713	YYMMDDHHMM-YYMMDDHHMM Format of period to be given in actual message without hyphen.
715	YYWW-YYWW A period of time specified by giving the start week of a year followed by the end week of year (both not including century). Data is to be transmitted as consecutive characters without hyphen.
717	YYMMDD-YYMMDD Format of period to be given in actual message without hyphen.
718	CCYYMMDD-CCYYMMDD Format of period to be given without hyphen.
719	CCYYMMDDHHMM-CCYYMMDDHHMM A period of time which includes the century, year, month, day, hour and minute. Format of period to be given in actual message without hyphen.
720	DHHMM-DHHMM Format of period to be given without hyphen (D=day of the week, 1=Monday; 2=Tuesday; ... 7=Sunday).
801	Year To indicate a quantity of years.
802	Month To indicate a quantity of months.
803	Week To indicate a quantity of weeks.
804	Day To indicate a quantity of days.
805	Hour To indicate a quantity of hours.
806	Minute To indicate a quantity of minutes.
810	Trimester To indicate a quantity of trimesters (three months).
811	Half month To indicate a quantity of half months.
21E	DDHHMM-DDHHMM (GS1 Temporary Code) Format of period to be given in actual message without hyphen.
<b>2475</b>	Time reference code Code referencing a point in time.

**Used Codes**

1	Date of order Payment time reference is date of order.
2	Date of confirmation Payment time reference is date of confirmation.
3	Date of contract Payment time reference is date of contract.
5	Date of invoice Payment time reference is date of invoice.
6	Date of credit note Payment time reference is date of credit note.
7	Date of present document Payment time reference is date of present document.
8	Date of confirmation of order received Payment time reference is date of confirmation received.
9	Date invoice received Payment time reference is date of invoice received.
11	Date credit note received Payment time reference is date of credit note received.
12	Date present document received Payment time reference is date of present document received.
21	Date goods received by buyer Payment time reference is date when goods are received by buyer.
23	Date goods received by carrier Payment time reference is date when goods are received by carrier.
26	Date of arrival of transport Date the transport arrived at the agreed destination.
27	Date of outward frontier crossing Date the goods are crossing the border of the exporters country.
28	Date of inward frontier crossing Date the goods are crossing the border of the importers country.
29	Date of delivery of goods to establishments/domicile/site Date the goods are delivered at agreed place of destination.
52	Due date of negotiable instrument Date when the negotiable instrument is due for payment.
66	Specified date Date specified elsewhere.

**Used Codes**

67	Anticipated delivery date The date on which delivery is anticipated to take place.
68	Effective date The date on which an action or event becomes effective.
69	Invoice transmission date Payment time reference is the date of invoice transmission.
70	Date of issue of transport document(s) The date on which a transport document(s) is issued.
72	Payment date Date when a payment was made.
78	Customs clearance date (import) Date when goods clear Customs in the importing country.
79	Customs clearance date (export) Date when goods clear Customs in the exporting country.
80	Date of salary payment Date when a salary payment was made.
81	Date of shipment as evidenced by the transport document(s) Date of shipment as evidenced by the transport document(s).
83	Requested date of delivery Payment terms apply from the requested date of delivery.
83E	Period of exceptional situation (GS1 Temporary Code) Period of a situation that affects the normal contribution of the employee.
X10	Receipt of goods (GS1 Temporary Code) Payment time reference is the date when goods are received by a receiving party.
<b>3035</b>	Party function code qualifier Code giving specific meaning to a party.
BY	Buyer Party to whom merchandise and/or service is sold.
DP	Delivery party (3144) Party to which goods should be delivered, if not identical with consignee. GS1 Description: Party to which goods should be delivered, if not the same as the buyer.
DS	Distributor Party distributing goods, financial payments or documents.

**Used Codes**

IV	Invoicee (3006) Party to whom an invoice is issued.
PE	Payee Identifies the credit party when other than the beneficiary.
PW	Despatch party (3282) Party where goods are collected or taken over by the carrier (i.e. if other than consignor).
SU	Supplier Party who supplies goods and/or services. GS1 Description: Party which provides service(s) and/or manufactures or otherwise has possession of goods, and consigns or makes them available in trade.
UC	Ultimate consignee Party who has been designated on the invoice or packing list as the final recipient of the stated merchandise.
<b>3055</b>	Code list responsible agency code Code specifying the agency responsible for a code list.
2	CEC (Commission of the European Communities) Generic: see also 140, 141, 142, 162. GS1 Description: Commission of the European Communities
3	IATA (International Air Transport Association) The airline industry's international organisation. GS1 Description: International Air Transport Association
5	ISO (International Organization for Standardization) International Organization of Standardization.
6	UN/ECE (United Nations - Economic Commission for Europe) United Nations Economic Commission for Europe.
7	CEFIC (Conseil Europeen des Federations de l'Industrie Chimique) EDI project for chemical industry.
8	EDIFICE Standardised electronic commerce forum for companies with interests in computing, electronics and telecommunications. GS1 Description: EDI Forum for companies with Interest in Computing and Electronics (EDI project for EDP/ADP sector).

**Used Codes**

9	GS1 GS1 (formerly EAN International), an organisation of GS1 Member Organisations, which manages the GS1 System. GS1 Description: GS1 International.
10	ODETTE Organization for Data Exchange through Tele-Transmission in Europe (European automotive industry project).
17	S.W.I.F.T. Society for Worldwide Interbank Financial Telecommunications s.c.
28	EDITEUR (European book sector electronic data interchange group) Code identifying the pan European user group for the book industry as an organisation responsible for code values in the book industry.
60	Assigned by national trade agency The code list is from a national agency.
65	GS1 France Organisation responsible for GS1 System in France.
68	GS1 Italy Organisation responsible for GS1 System in Italy.
83	US, National Retail Federation The National Retail Federation is the trade association for the general merchandise retailing industry. In addition to providing support and education services, they also maintain and publish standard colour and size codes for the retail industry.
84	DE, BRD (Gesetzgeber der Bundesrepublik Deutschland) German legislature.
86	Assigned by party originating the message Codes assigned by the party originating the message.
87	Assigned by carrier Codes assigned by the carrier.
88	Assigned by owner of operation Assigned by owner of operation (e.g. used in construction).
89	Assigned by distributor Codes assigned by a distributor.
90	Assigned by manufacturer Code assigned by the manufacturer.
91	Assigned by supplier or supplier's agent Codes assigned by a seller or seller's agent. GS1 Description: Code assigned by the supplier or supplier's agent.

**Used Codes**

92	Assigned by buyer or buyer's agent Codes assigned by a buyer or buyer's agent.
112	US, U.S. Census Bureau The Bureau of the Census of the U.S. Dept. of Commerce.
113	GS1 US Organisation responsible for GS1 System in the USA.
116	US, ANSI ASC X12 American National Standards Institute ASC X12.
131	DE, German Bankers Association German Bankers' Association.
136	GS1 UK Organisation responsible for GS1 System in the UK.
137	AT, Verband oesterreichischer Banken und Bankiers Austrian bankers association.
174	DE, DIN (Deutsches Institut fuer Normung) German standardization institute.
182	US, Standard Carrier Alpha Code (Motor) Organisation maintaining the SCAC lists and transportation operating in North America.
194	AU, AQIS (Australian Quarantine and Inspection Service) Australian Quarantine and Inspection Service.
200	GS1 Netherlands Organisation responsible for GS1 System in the Netherlands.
245	GS1 Denmark Organisation responsible for GS1 System in Denmark.
246	GS1 Germany Organisation responsible for GS1 System in Germany. GS1 Description: German representative of International Article Numbering association (GS1).
260	Ediel Nordic forum A code to identify Ediel Nordic forum, which is an organization standardizing the use of EDI between the participants in the Nordic power market.
281	GS1 Belgium & Luxembourg Organisation responsible for GS1 System in Belgium & Luxembourg.
286	SE, TCO (Tjänstemännen Central Organisation) The Swedish Confederation of Professional Employees.
294	GS1 Austria Organisation responsible for the GS1 System in Austria.

**Used Codes**

295	AU, Therapeutic Goods Administration Austrialian administration responsible for the regulation of therapeutic goods in Australia. EDIFACT
297	IT, Ufficio IVA Ufficio responsabile gestione partite IVA, Italy (Italian Institute issuing VAT registration numbers). EDIFACT
298	GS1 Spain Organisation responsible for the GS1 System in Spain.
316	GS1 Finland Organisation responsible for the GS1 system in Finland.
317	GS1 Brazil Organisation responsible for the GS1 system in Brazil.
324	GS1 Ireland Organisation responsible for the GS1 system in Ireland.
325	GS1 Russia Organisation responsible for the GS1 system in Russia.
326	GS1 Poland Organisation responsible for the GS1 system in Poland.
327	GS1 Estonia Organisation responsible for the GS1 system in Estonia.
376	PANTONE Color code controlling organisation
400	FAO (Food and Agriculture Organisation) Food and Agriculture Organisation of the United Nations.
403	Comite Europeen de Normalisation Comite Européen de Normalisation (CEN), European committee for standardisation. GS1 Note: Replaces GS1 Temporary Code CEN.
404	Assigned by logistics service provider Codes assigned by a logistics service provider. GS1 Note: Replaces GS1 Temporary Code X6.
CEN	Comite European de Normalisation (GS1 Temporary Code) Comite European de Normalisation. GS1 Note: Code marked for deletion. Use value 403 instead.
PMS	Pantone Matching System (GS1 Temporary Code) Pantone Matching System.



**Used Codes**

RAL	DE, Deutsches Institut fuer Guetesicherung und Kennzeichnung (GS1 Temporary Code) German Institute for Quality Assurance and Certification.
X5	IT, Ufficio IVA (GS1 Temporary Code) Ufficio responsabile gestione partite IVA, Italy (Italian Institute issuing VAT registration numbers).
X6	Assigned by logistics service provider (GS1 Temporary Code) Codes assigned by the logistics service provider. GS1 Note: Code marked for deletion. Use value 404 instead.
ZZZ	Mutually defined A code assigned within a code list to be used on an interim basis and as defined among trading partners until a precise code can be assigned to the code list.
<b>3139</b>	Contact function code Code specifying the function of a contact (e.g. department or person).
AA	Insurance contact Department/person to contact for matters regarding insurance.
AD	Accounting contact The contact responsible for accounting matters.
AE	Contract contact Department/person to contact for matters regarding contracts.
AM	Claims contact Department/person to contact for matters regarding claims.
AP	Accounts payable contact Department/person responsible for the accounts payable function within a corporation.
AR	Accounts receivable contact Department/person responsible for the accounts receivable within a corporation.
BC	Banking contact Contact person for bank.
BJ	Department or person responsible for processing purchase order Identification of the department or person responsible for the processing of purchase orders.
BN	Certification contact Code specifying a contact with knowledge of a certification action.
BO	After business hours contact Department/person to contact after normal working hours.

**Used Codes**

BR	Cook Person responsible for cooking. GS1 Note: Replaces GS1 Temporary Code CKE.
CB	Changed by Person who made the change.
CKE	Cook (GS1 Temporary Code) Person responsible for cooking. GS1 Note: Code marked for deletion. Use value BR instead.
CN	Consignee (3132) Party to which goods are consigned.
CO	Consignor (3336) Party which, by contract with a carrier, consigns or sends goods with the carrier, or has them conveyed by him. Synonym: shipper/sender.
CP	Responsible person for computer data processing Responsible person to contact for matters regarding computer data processing.
CR	Customer relations Individual responsible for customer relations.
DE	Department/employee to execute export procedures Department/employee which/who executes export procedures.
DI	Department/employee to execute import procedures Department/employee which/who executes import procedures.
DL	Delivery contact Department/person responsible for delivery.
ED	Engineering contact Department/person to contact for matters regarding engineering.
GR	Goods receiving contact Department/person responsible for receiving the goods at the place of delivery.
HE	Emergency dangerous goods contact Party who is to be contacted to intervene in case of emergency.
HG	Dangerous goods contact Department/person to be contacted for details about the transportation of dangerous goods/hazardous material.
IC	Information contact Department/person to contact for questions regarding transactions.
LO	Place of collection contact Department/employee to be contacted at the place of collection.
MGR	Manager (GS1 Temporary Code) Person responsible for management within a department or company.

**Used Codes**

NT	Notification contact Department/employee to be notified.
OC	Order contact An individual to contact for questions regarding this order.
PD	Purchasing contact Department/person responsible for issuing this purchase order.
PM	Product management contact Department/person to contact for questions regarding this order.
QC	Quality coordinator contact Quality coordinator contact within an organization.
SA	Sales administration Name of the sales administration contact within a corporation.
SD	Shipping contact The shipping department contact within an organization.
SR	Sales representative or department The sales representative or department contact within an organization.
TA	Traffic administrator The traffic administrator contact within an organization.
TD	Test contact Department/person responsible for testing contact.
TR	Transport contact Department/person in charge of transportation.
WH	Warehouse The warehouse contact within an organization.
<b>3207</b>	Country name code   Identification of the name of the country or other geographical entity as defined in ISO 3166-1.  Notes:   1. Use ISO 3166-1 two alpha country code.
DE	GERMANY
<b>3239</b>	Country of origin name code Code specifying the name of the country of origin.  Notes:   1. Use ISO 3166-1 two alpha country code.
DE	GERMANY

**Used Codes**

**3453** Language name code  
Code specifying the language name.

Notes:

1. Use ISO 639-1988.

AA	Afar
aa	Afar
AB	Abkhazian
ab	Abkhazian
AE	Avestan
ae	Avestan
AF	Afrikaans
af	Afrikaans
AK	Akan
ak	Akan
AM	Amharic
am	Amharic
AN	Aragonese
an	Aragonese
AR	Arabic
ar	Arabic
AS	Assamese
as	Assamese
AV	Avaric
av	Avaric
AY	Aymara
ay	Aymara
AZ	Azerbaijani
az	Azerbaijani
BA	Bashkir
ba	Bashkir
BE	Belarusian
be	Belarusian
BG	Bulgarian
bg	Bulgarian

**Used Codes**

BH	Bihari
bh	Bihari
BI	Bislama
bi	Bislama
BM	Bambara
bm	Bambara
BN	Bengali
bn	Bengali
BO	Tibetan
bo	Tibetan
BR	Breton
br	Breton
BS	Bosnian
bs	Bosnian
CA	Catalan; Valencian
ca	Catalan; Valencian
CE	Chechen
ce	Chechen
CH	Chamorro
ch	Chamorro
CO	Corsican
co	Corsican
CR	Cree
cr	Cree
CS	Czech
cs	Czech
CU	Church Slavic; Old Slavonic; Church Slavonic; Old Bulgarian; Old Church Slavonic
cu	Church Slavic; Old Slavonic; Church Slavonic; Old Bulgarian; Old Church Slavonic
CV	Chuvash
cv	Chuvash
CY	Welsh
cy	Welsh

**Used Codes**

DA	Danish
da	Danish
DE	German
de	German
DV	Divehi; Dhivehi; Maldivian
dv	Divehi; Dhivehi; Maldivian
DZ	Dzongkha
dz	Dzongkha
EE	Ewe
ee	Ewe
EL	Greek; Modern (1453-)
el	Greek; Modern (1453-)
EN	English
en	English
EO	Esperanto
eo	Esperanto
ES	Spanish; Castilian
es	Spanish; Castilian
ET	Estonian
et	Estonian
EU	Basque
eu	Basque
FA	Persian
fa	Persian
FF	Fulah
ff	Fulah
FI	Finnish
fi	Finnish
FJ	Fijian
fj	Fijian
FO	Faroese
fo	Faroese
FR	French

**Used Codes**

---

fr	French
FY	Western Frisian
fy	Western Frisian
GA	Irish
ga	Irish
GD	Gaelic; Scottish Gaelic
gd	Gaelic; Scottish Gaelic
GL	Galician
gl	Galician
GN	Guarani
gn	Guarani
GU	Gujarati
gu	Gujarati
GV	Manx
gv	Manx
HA	Hausa
ha	Hausa
HE	Hebrew
he	Hebrew
HI	Hindi
hi	Hindi
HO	Hiri Motu
ho	Hiri Motu
HR	Croatian
hr	Croatian
HT	Haitian; Haitian Creole
ht	Haitian; Haitian Creole
HU	Hungarian
hu	Hungarian
HY	Armenian
hy	Armenian
HZ	Herero
hz	Herero

**Used Codes**

IA	Interlingua (International Auxiliary Language Association)
ia	Interlingua (International Auxiliary Language Association)
ID	Indonesian
id	Indonesian
IE	Interlingue
ie	Interlingue
IG	Igbo
ig	Igbo
II	Sichuan Yi
ii	Sichuan Yi
IK	Inupiaq
ik	Inupiaq
IO	Ido
io	Ido
IS	Icelandic
is	Icelandic
IT	Italian
it	Italian
IU	Inuktiut
iu	Inuktiut
JA	Japanese
ja	Japanese
JV	Javanese
jv	Javanese
KA	Georgian
ka	Georgian
KG	Kongo
kg	Kongo
KI	Kikuyu; Gikuyu
ki	Kikuyu; Gikuyu
KJ	Kuanyama; Kwanyama
kj	Kuanyama; Kwanyama
KK	Kazakh



**Used Codes**

kk	Kazakh
KL	Kalaallisut; Greenlandic
kl	Kalaallisut; Greenlandic
KM	Central Khmer
km	Central Khmer
KN	Kannada
kn	Kannada
KO	Korean
ko	Korean
KR	Kanuri
kr	Kanuri
KS	Kashmiri
ks	Kashmiri
KU	Kurdish
ku	Kurdish
KV	Komi
kv	Komi
KW	Cornish
kw	Cornish
KY	Kirghiz; Kyrgyz
ky	Kirghiz; Kyrgyz
LA	Latin
la	Latin
LB	Luxembourgish; Letzeburgesch
lb	Luxembourgish; Letzeburgesch
LG	Ganda
lg	Ganda
LI	Limburgan; Limburger; Limburgish
li	Limburgan; Limburger; Limburgish
LN	Lingala
ln	Lingala
LO	Lao
lo	Lao

**Used Codes**

LT	Lithuanian
lt	Lithuanian
LU	Luba-Katanga
lu	Luba-Katanga
LV	Latvian
lv	Latvian
MG	Malagasy
mg	Malagasy
MH	Marshallese
mh	Marshallese
MI	Maori
mi	Maori
MK	Macedonian
mk	Macedonian
ML	Malayalam
ml	Malayalam
MN	Mongolian
mn	Mongolian
MO	Moldavian; Moldovan
mo	Moldavian; Moldovan
MR	Marathi
mr	Marathi
MS	Malay
ms	Malay
MT	Maltese
mt	Maltese
MY	Burmese
my	Burmese
NA	Nauru
na	Nauru
NB	Bokmal Norwegian; Norwegian Bokmal
nb	Bokmal Norwegian; Norwegian Bokmal
ND	Ndebele; North; North Ndebele

**Used Codes**

nd	Ndebele; North; North Ndebele
NE	Nepali
ne	Nepali
NG	Ndonga
ng	Ndonga
NL	Dutch; Flemish
nl	Dutch; Flemish
NN	Norwegian Nynorsk; Nynorsk, Norwegian
nn	Norwegian Nynorsk; Nynorsk, Norwegian
NO	Norwegian
no	Norwegian
NR	Ndebele; South; South Ndebele
nr	Ndebele; South; South Ndebele
NV	Navajo; Navaho
nv	Navajo; Navaho
NY	Chichewa; Chewa; Nyanja
ny	Chichewa; Chewa; Nyanja
OC	Occitan (post 1500); Provençal
oc	Occitan (post 1500); Provençal
OJ	Ojibwa
oj	Ojibwa
OM	Oromo
om	Oromo
OR	Oriya
or	Oriya
OS	Ossetian; Ossetic
os	Ossetian; Ossetic
PA	Panjabi; Punjabi
pa	Panjabi; Punjabi
PI	Pali
pi	Pali
PL	Polish
pl	Polish

**Used Codes**

PS	Pushto; Pashto
ps	Pushto; Pashto
PT	Portuguese
pt	Portuguese
QU	Quechua
qu	Quechua
RM	Romansh
rm	Romansh
RN	Rundi
rn	Rundi
RO	Romanian
ro	Romanian
RU	Russian
ru	Russian
RW	Kinyarwanda
rw	Kinyarwanda
SA	Sanskrit
sa	Sanskrit
SC	Sardinian
sc	Sardinian
SD	Sindhi
sd	Sindhi
SE	Northern Sami
se	Northern Sami
SG	Sango
sg	Sango
SI	Sinhala; Sinhalese
si	Sinhala; Sinhalese
SK	Slovak
sk	Slovak
SL	Slovenian
sl	Slovenian
SM	Samoan

**Used Codes**

---

sm	Samoan
SN	Shona
sn	Shona
SO	Somali
so	Somali
SQ	Albanian
sq	Albanian
SR	Serbian
sr	Serbian
SS	Swati
ss	Swati
ST	Sotho, Southern
st	Sotho, Southern
SU	Sundanese
su	Sundanese
SV	Swedish
sv	Swedish
SW	Swahili
sw	Swahili
TA	Tamil
ta	Tamil
TE	Telugu
te	Telugu
TG	Tajik
tg	Tajik
TH	Thai
th	Thai
TI	Tigrinya
ti	Tigrinya
TK	Turkmen
tk	Turkmen
TL	Tagalog
tl	Tagalog

**Used Codes**

TN	Tswana
tn	Tswana
TO	Tonga (Tonga Islands)
to	Tonga (Tonga Islands)
TR	Turkish
tr	Turkish
TS	Tsonga
ts	Tsonga
TT	Tatar
tt	Tatar
TW	Twi
tw	Twi
TY	Tahitian
ty	Tahitian
UG	Uighur; Uyghur
ug	Uighur; Uyghur
UK	Ukrainian
uk	Ukrainian
UR	Urdu
ur	Urdu
UZ	Uzbek
uz	Uzbek
VE	Venda
ve	Venda
VI	Vietnamese
vi	Vietnamese
VO	Volapük
vo	Volapük
WA	Walloon
wa	Walloon
WO	Wolof
wo	Wolof
XH	Xhosa

**Used Codes**

xh	Xhosa
YI	Yiddish
yi	Yiddish
YO	Yoruba
yo	Yoruba
ZA	Zhuang; Chuang
za	Zhuang; Chuang
ZH	Chinese
zh	Chinese
ZU	Zulu
zu	Zulu
<b>4183</b>	Special condition code Code specifying a special condition.
15	Not subject to discount Item concerned is not applicable for discount calculation.
148	Supply direct delivery Goods to be supplied direct delivery to the delivery store and not through a distribution centre or a warehouse.
<b>4277</b>	Payment terms description identifier Identification of the terms of payment between the parties to a transaction (generic term).  Notes: 1. Recommend use UN/ECE Recommendation No. 17 Payterms.
1	Draft(s) drawn on issuing bank Draft(s) must be drawn on the issuing bank.
2	Draft(s) drawn on advising bank Draft(s) must be drawn on the advising bank.
3	Draft(s) drawn on reimbursing bank Draft(s) must be drawn on the reimbursing bank.
4	Draft(s) drawn on applicant Draft(s) must be drawn on the applicant.
5	Draft(s) drawn on any other drawee Draft(s) must be drawn on any other drawee.
6	No drafts No drafts required.

**Used Codes**

ZZZ	Mutually defined (GS1 Temporary Code) A code identifying mutually defined payment terms.
<b>4279</b>	Payment terms type code qualifier Code qualifying the type of payment terms.
3	Fixed date Payments are due on the fixed date specified.
<b>4347</b>	Product identifier code qualifier Code qualifying the product identifier.
1	Additional identification Information which specifies and qualifies product identifications.
5	Product identification The item number is for product identification.
<b>4441</b>	Free text value code Code specifying free form text.
78E	Proof Of Delivery (GS1 Permanent Code) The mentioned URL refers to a Proof of Delivery document. This Code value can be used if DE 4451 of the FTX segment is ZXL.
<b>4451</b>	Text subject code qualifier Code qualifying the subject of the text.
1E	Additional product information address (GS1 Temporary Code) Address at which additional information on the product can be found. GS1 Note: Code marked for deletion. Use value BAI instead.
2E	VAT exemption (GS1 Temporary Code) VAT exemption reason in clear text. GS1 Note: Code marked for deletion. Use value BAQ instead.
3E	Tracking URL (GS1 Temporary Code) The internet link (URL) to track the delivery of a specific package or consignment.
AAA	Goods description [7002] Plain language description of the nature of the goods sufficient to identify them at the level required for banking, Customs, statistical or transport purposes, avoiding unnecessary detail (Generic term).
AAB	Terms of payments [4276] Conditions of payment between the parties to a transaction (generic term).



**Used Codes**

AAC	Dangerous goods additional information Additional information concerning dangerous goods.
AAD	Dangerous goods, technical name Proper shipping name, supplemented as necessary with the correct technical name, by which a dangerous substance or article may be correctly identified or which is sufficiently informative to permit identification by reference to generally available literature.
AAG	Party instructions Indicates that the segment contains instructions to be passed on to the identified party.
AAI	General information The text contains general information.
AAK	Price conditions Information on the price conditions that are expected or given.
AAM	Equipment re-usage restrictions Technical or commercial reasons why a piece of equipment may not be re-used after the current transport terminates.
AAN	Handling restriction Restrictions in handling depending on the technical characteristics of the piece of equipment or on the nature of the goods.
AAO	Error description (free text) Error described by a free text.
AAR	Terms of delivery (4053) Free text of the non Incoterms terms of delivery. For Incoterms, use: 4053.
AAW	Letter of credit information Information pertaining to the letter of credit.
AAZ	Additional export information The text contains additional export information.
ABN	Accounting information Self explanatory. GS1 Description: Free text information regarding account.
ABO	Discrepancy information Free text or coded information to indicate a specific discrepancy.
ABU	Deferred payment termed additional Additional terms concerning deferred payment.
ACB	Additional information The text contains additional information.

**Used Codes**

ACD	Reason Reason for a request or response.
ACE	Dispute A notice, usually from buyer to seller, that something was found wrong with goods delivered or the services rendered, or with the related invoice.
ACF	Additional attribute information The text refers to information about an additional attribute not otherwise specified.
ACL	Quality Statement Code A statement on the quality of an object.
ADK	Promotion information The text contains information about a promotion.
ADL	Meter condition Description of the condition of a meter.
ADM	Meter reading information Information related to a particular reading of a meter.
ADS	Booked item information (SWIFT Code) Information pertaining to a booked item. GS1 Description: Information related to an item booked onto a financial account.
AEI	Instructions to the applicant Instructions given to the applicant.
AFF	Batch code structure A description of the structure of a batch code.
AFG	Product application A general description of the application of a product.
AGW	Location Description of a location.
AGZ	Marketing activities Information concerning marketing activities.
AIP	Question A free text question.
AIQ	Party information Free text information related to a party.
AIX	Warranty terms Text describing the terms of warranty which apply to a product or service.
ALL	All documents The note implies to all documents.

**Used Codes**

BAI	Additional product information address Address at which additional information on the product can be found. GS1 Note: Replaces GS1 Temporary Code 1E.
BAJ	Information to be printed on despatch advice Specification of free text information which is to be printed on a despatch advice. GS1 Note: Replaces GS1 Temporary Code DSI.
BAK	Missing goods remarks Remarks concerning missing goods. GS1 Note: Replaces GS1 Temporary Code MIS.
BAL	Non-acceptance information Information related to the non-acceptance of an order, goods or a consignment. GS1 Note: Replaces GS1 Temporary Code NAI.
BAM	Returns information Information related to the return of items. GS1 Note: Replaces GS1 Temporary Code RTI.
BAN	Sub-line item Note contains information related to sub-line item data. GS1 Note: Replaces GS1 Temporary Code SID.
BAO	Test information Information of a test. GS1 Note: Replaces GS1 Temporary Code TIN.
BAP	External link The external link to a digital document (e.g.: URL) GS1 Note: Replaces GS1 Temporary Code ZXL.
BAQ	VAT exemption reason The reason for Value Added Tax exemption. GS1 Note: Replaces GS1 Temporary Code 2E.
BLR	Transport document remarks Remarks concerning the complete consignment to be printed on the bill of lading.
BLV	B2C marketing information, short description Consumer marketing information, short description.
BLW	B2B marketing information, long description Trading partner marketing information, long description.
BLX	B2C marketing information, long description Consumer marketing information, long description.

**Used Codes**

BLY	<p>Product ingredients</p> <p>Information on the ingredient make up of the product.</p> <p>Information on the constituent ingredient make up of the product specified as one string.</p> <p>Example: FTX+ING+1+ +Tomato puree (54%), water, onions (9%), sunflower seed oil' FTX+ING+1+ +(cold pressed, untempered, unrefined) (10%), corn syrup (2%), soy protein (12%) .....:++EN'</p>
CHG	<p>Change information</p> <p>Note contains change information.</p>
CIP	<p>Customs clearance instruction import</p> <p>Any coded or clear instruction agreed by customer and carrier regarding the import declaration of the goods.</p>
CLR	<p>Loading remarks</p> <p>Instructions concerning the loading of the container.</p>
CUS	<p>Customs declaration information</p> <p>Note contains customs declaration information.</p>
DAR	<p>Damage remarks</p> <p>Remarks concerning damage on the cargo.</p>
DEL	<p>Delivery information</p> <p>Information about delivery.</p>
DIN	<p>Delivery instructions</p> <p>Instructions regarding the delivery of the cargo.</p>
DSI	<p>Information to be printed on despatch advice (GS1 Temporary Code)</p> <p>Specification of free text information which is to be printed on a despatch advice.</p> <p>GS1 Note: Code marked for deletion. Use value BAJ instead.</p>
DUT	<p>Duty declaration</p> <p>The text contains a statement constituting a duty declaration.</p>
GEN	<p>Entire transaction set</p> <p>Note is general in nature, applies to entire transaction segment.</p>
HAN	<p>Handling instructions</p> <p>[4078] Instructions on how specified goods, packages or containers should be handled.</p>
HAZ	<p>Hazard information</p> <p>Information pertaining to a hazard.</p>
IIN	<p>Insurance instructions</p> <p>Instructions regarding the cargo insurance.</p>

**Used Codes**

INS	Insurance information Specific note contains insurance information.
INV	Invoice instruction Note contains invoice instructions.
ITS	Testing instructions Instructions regarding the testing that is required to be carried out on the items in the transaction.
LIN	Line item Note contains line item information.
LOI	Loading instruction Instructions where specified packages or containers are to be loaded on a means of transport.
MIS	Missing goods remarks (GS1 Temporary Code) Remarks concerning missing goods. GS1 Note: Code marked for deletion. Use value BAK instead.
MKS	Additional marks/numbers information Additional information regarding the marks and numbers.
NAI	Non-acceptance information (GS1 Temporary Code) Information related to the non-acceptance of an order, goods or a consignment. GS1 Note: Code marked for deletion. Use value BAL instead.
ORI	Order instruction Free text contains order instructions.
OSI	Other service information General information created by the sender of general or specific value.
PAC	Packing/marketing information Information regarding the packaging and/or marking of goods.
PAY	Payables information Note contains payables information.
PKG	Packaging information Note contains packaging information. GS1 Description: Note contains packaging instructions.
PMD	Payment detail/remittance information The free text contains payment details.
PMT	Payment information Note contains payments information.
PRD	Product information The text contains product information.

**Used Codes**

PRF	Price calculation formula Additional information regarding the price formula used for calculating the item price.
PRI	Priority information Note contains priority information.
PUR	Purchasing information Note contains purchasing information.
QQD	Quality demands/requirements Specification of the quality/performance expectations or standards to which the items must conform.
QUT	Quotation instruction/information Note contains quotation information.
REG	Regulatory information The free text contains information for regulatory authority.
RET	Return to origin information Free text information on an IATA Air Waybill to indicate consignment returned because of non delivery.
REV	Receivables The text contains receivables information.
RQR	Requested routes/routing instructions [3074] Names of places via which the consignor requests a consignment to be routed.
RQT	Tariffs and route requested [4120] Stipulation of the tariffs to be applied showing, where applicable, special-agreement numbers or references; indication of routes by frontier points or by frontier stations and, when necessary, by transit stations between.
RTI	Returns information (GS1 Temporary Code) Information related to the return of goods. GS1 Note: Code marked for deletion. Use value BAM instead.
SAF	Safety information The text contains safety information.
SIC	Sender's instruction to carrier [4284] Instructions given and declarations made by the sender to the carrier concerning Customs, insurance, and other formalities.
SID	Sub line item (GS1 Temporary Code) Note contains information related to sub line item data. GS1 Note: Code marked for deletion. Use value BAN instead.
SIN	Special instructions Special instructions like licence no, high value, handle with care, glass.

**Used Codes**

SPH	Special handling Note contains special handling information.
SSR	Special service request Request for a special service concerning the transport of the goods.
SUR	Supplier remarks Remarks from or for a supplier of goods or services.
TIN	Test information (GS1 Temporary Code) Information related to a test which will be, or has been, carried out. GS1 Note: Code marked for deletion. Use value BAO instead.
TRA	Transportation information General information regarding the transport of the cargo.
TXD	Tax declaration The text contains a statement constituting a tax declaration.
WHI	Warehouse instruction/information Note contains warehouse information.
XYZ	No partial delivery (GS1 Temporary Code) The goods that are not delivered have to be re-ordered by the buyer. Supplier only delivers the goods they have in stock at that moment. One order leads to one delivery.
ZXL	External link (GS1 Temporary code) The external link to a digital document (e.g.: URL) GS1 Note 1: This Code value can be used if no EFI segment is available. If the type of the referenced document (e.g. proof-of-delivery.pdf) can be identified by a code value of DE 1001, this code value should be used to fill DE 4441. (e.g. 78E), DE 3055 = 9. GS1 Note 2: Code marked for deletion. Use value BAP instead.
ZYZ	Partial delivery allowed (GS1 Temporary Code) The supplier keeps delivering until the entire order is fulfilled. One order can lead to many deliveries. The buyer doesn't need to place a new order; they just waits for the other goods to be delivered.
ZZZ	Mutually defined Note contains information mutually defined by trading partners.
<b>4453</b>	Free text function code Code specifying the function of free text.
1	Text for subsequent use The occurrence of this text does not affect message processing.
<b>4461</b>	Payment means code Code identifying a means of payment.

**Used Codes**

3	Automated clearing house debit A debit transaction made through the automated clearing house system.
8	Hold Indicates that the bank should hold the payment for collection by the beneficiary or other instructions.
10	In cash Payment by currency (including bills and coins) in circulation, including checking account deposits.
15	Bookentry credit A credit transaction, initiated from the buyer's account to the seller's account at the same financial institution. GS1 Description: A credit transaction, initiated from the buyer's account to the seller's account at the same financial institution.
16	Bookentry debit A debit transaction initiated from the seller's account to the buyer's account at the same financial institution.
20	Cheque Self explanatory.
21	Banker's draft Issue of a banker's draft in payment of the funds.
23	Bank cheque (issued by a banking or similar establishment) Payment by a pre-printed form, which has been completed by a financial institution, on which instructions are given to an account holder (a bank or building society) to pay a stated sum to a named recipient.
24	Bill of exchange awaiting acceptance Bill drawn by the creditor on the debtor but not yet accepted by the debtor.
25	Certified cheque Payment by a pre-printed form stamped with the paying bank's certification on which instructions are given to an account holder (a bank or building society) to pay a stated sum to a named recipient .
26	Local cheque Indicates that the cheque is given local to the recipient.
27	ACH demand corporate trade payment (CTP) debit A debit transaction made through the ACH system to a demand deposit account using the CTP payment format.
28	ACH demand corporate trade exchange (CTX) credit A credit transaction made through the ACH system to a demand deposit account using the CTX payment format.
30	Credit transfer Payment by credit movement of funds from one account to another.



**Used Codes**

31	Debit transfer Payment by debit movement of funds from one account to another.
42	Payment to bank account
49	Direct debit The amount is to be, or has been, directly debited to the customer's bank account.
50	Payment by postgiro Payment is made by postal giro.
54	Credit card Payment made by means of credit card. GS1 Note: Replaces GS1 Temporary Code 11E.
55	Debit card Payment made by means of debit card. GS1 Note: Replaces GS1 Temporary Code 12E.
56	Bankgiro Payment will be, or has been, made by bankgiro. GS1 Note: Replaces GS1 Temporary Code 14E.
60	Promissory note Payment is made by promissory note.
70	Bill drawn by the creditor on the debtor Bill drawn by the creditor on the debtor.
74	Bill drawn by the creditor on a bank Bill drawn by the creditor on a bank.
97	Clearing between partners Amounts which two partners owe to each other to be compensated in order to avoid useless payments.
10E	Payment terms defined in the Commercial Account Summary (GS1 Temporary Code) Code indicating that the payment terms will be defined in a later Commercial Account Summary (COACSU) message.
11E	Credit card (GS1 Temporary Code) Payment made by means of credit card. GS1 Note: Code marked for deletion. Use value 54 instead.
12E	Debit card (GS1 Temporary Code) Payment made by means of debit card. GS1 Note: Code marked for deletion. Use value 55 instead.
13E	Payment terms defined in consolidated invoice (GS1 Temporary Code) Special conditions where the payment terms are specified in a consolidated invoice.

**Used Codes**

14E	Payment by bankgiro (GS1 Temporary Code) Payment will be, or has been, made by bankgiro. GS1 Note: Code marked for deletion. Use value 56 instead.
<b>5025</b>	Monetary amount type code qualifier Code qualifying the type of monetary amount.
1	VAT, 1st value First VAT value if, for the same rate of VAT, there are 1 to 3 different ways to set this value.
5	Adjusted amount The amount specified is the adjusted amount.
7	Agreed charge Charges which parties agreed upon.
8	Allowance or charge amount [5422] Total amount of allowance or charge.
9	Amount due/amount payable Amount to be paid.
11	Amount paid Amount that has been paid.
12	Amount remitted Amount which was remitted (see remittance advice).
13	Amount subject to total monetary discount The amount is subject to a total monetary discount.
21	Cash discount Cash discount given by the seller to the buyer. GS1 Description: Cash discount given by the seller to the buyer where payment is made in advance of receipt of goods.
22	Cash on delivery amount Amount to be collected by carrier upon delivery of goods. This amount represents approximately the value of the goods.
23	Charge amount The amount of money charged for the provision of a service or product.
25	Charge/allowance basis The amount specified is the basis for calculation of charges/allowance.
36	Converted amount The amount is converted from another currency.

**Used Codes**

38	Invoice item amount (5068) Total sum charged in respect of a single Invoice item in accordance with the terms of delivery.
39	Invoice total amount [5444] Total sum charged in respect of one or more Invoices in accordance with the terms of delivery.
40	Customs value (5032) Value declared for Customs purposes on those goods in a consignment which are subject to the same Customs procedure, and have the same tariff/statistical heading, country information and duty regime.
43	Declared total Customs value [5070] Total value declared for Customs purposes of all goods in a consignment, whether or not they are subject to the same Customs procedure, or have the same tariff/statistical heading, country information, and duty regime.
44	Declared value for carriage (5036) Value, declared by the shipper or his agent solely for the purpose of varying the carrier's level of liability from that provided in the contract of carriage, in case of loss or damage to goods or delayed delivery.
48	Deposit total The whole amount of money that one entrusts for safekeeping.
50	Disbursements Amount of disbursements to be collected by the carrier according to the order given by the shipper.
51	Disbursements fee Fee charged for the collection of disbursements.
52	Discount amount The amount specified is the discount amount.
53	Discount amount due The amount of discount that is due. GS1 Description: The amount due for a discount.
55	Duty amount The amount of duty. GS1 Description: The amount due for a duty.
56	Duty/tax/fee basis amount The amount specified is the basis for duty/tax or fee.
57	Equivalent amount This amount is equivalent to the amount to be transferred, but in another currency.

**Used Codes**

60	Final (posted) amount The amount posted to an account, finally, after charges/allowances.
64	Freight charge Amount to be paid for moving goods, by whatever means, from one place to another, inclusive discounts, allowances, rebates, adjustment factors and additional cost relating to freight costs (UN/ECE Recommendation no 23).
74	Amount to be paid in advance Amount which is to be paid before goods are delivered or the service is rendered.
75	Registered capital Registered amount of equity of a company.
77	Invoice amount [5068] Total sum charged in respect of a single Invoice in accordance with the terms of delivery.
79	Total line items amount The sum of all the line item amounts.
81	Loading and handling cost Cost incurred by loading and handling.
83	Lumpsum An agreed sum of money, which is paid in full at one time. This term is often used in connection with charter parties.
86	Message total monetary amount The total of all monetary amounts contained within the message.
97	Offer amount [5210] Total amount of an offer.
98	Original amount Original amount, without charges, allowances or adjustment.
103	Other deductible charges Other charges deducted from the total invoice value.
106	Packing cost Cost for packing concerning labour and/or material.
109	Payment discount amount Amount subject to payment discount.
113	Prepaid amount (5302) Amount which has been prepaid in advance.
119	Received amount The amount is what the bank received, and the one before charges/allowances.

**Used Codes**

124	Tax amount Tax imposed by government or other official authority related to the weight/ volume charge or valuation charge.
125	Taxable amount Amount on which a tax has to be applied. GS1 Description: The monetary amount liable to tax.
126	To collect Amount that has to be collected.
128	Total amount The amount specified is the total amount.
129	Total amount subject to payment discount Part of the invoice amount which is subject to payment discount.
130	Total charge due Total amount of charges payable to the carrier.
131	Total charges/allowances The amount specified is the total of all charges/allowances.
134	Total declared The total value of declared amounts.
138	Total monetary discount amount Total of monetary discount amounts.
139	Total payment amount A complete charge for goods or services rendered.
140	Total service charge The complete payment owed to one who has performed work for another.
142	Trade discount Discount given to any purchaser at a particular commercial level e.g. at wholesale or retail level.
143	Transfer amount The amount which has been transferred from buyer to the sellers bank.
144	Transport charges (Customs) (5292) Cost incurred by shipper in moving goods, by whatever means, from one place to another under the terms of the contract of carriage, see UN/ECE Recommendation No 23. Synonym: freight charges (Customs).
146	Unit price (5110) Reporting monetary amount is a "per unit" amount.

**Used Codes**

150	Value added tax [5490] Amount in national currency resulting from the application, at the appropriate rate, of value added tax (or similar tax) to the invoice amount subject to such tax.
157	Insurance value (5010) Value for which the goods are insured.
159	Licence (value deducted) Amount in the currency of the licence to be written off from the total licence value.
161	Duty, tax or fee amount Amount of duty, tax or fee.
165	Adjustment amount Amount being the balance of the amount to be adjusted and the adjusted amount.
176	Message total duty/tax/fee amount Total of all duty/tax/fee amounts.
177	Message total amount prepaid Total of all prepaid amounts within the message.
178	Exact amount Specific amount. GS1 Description: A specific monetary amount.
200	Minimum amount due The minimum amount that must be paid on an amount now due for payment.
201	Penalty amount The penalty charge incurred if or because conditions are not met. GS1 Description: A value indicating a penalty amount.
202	Interest amount The amount of interest charged or paid on a debit or credit balance.
203	Line item amount Goods item total minus allowances plus charges for line item. See also Code 66.
204	Allowance amount The amount of an allowance.
209	Agent commission amount Amount which has to be paid to an agent.
210	Credit note amount Amount of a credit note.

**Used Codes**

211	Debit note amount Amount of a debit note.
212	Documentary credit amount Amount of the documentary credit.
227	Deposit Part of the amount of retention, not covered by guarantee of retention, and thus deducted from the amount paid to the contractor until release of retention. GS1 Description: The money paid as a guarantee in case one damages or loses something one is renting. This money is returned if no damage is caused.
236	Amount subject to price adjustment Amount which is used as the basis for price adjustment calculation.
257	Amount subject to dispute The amount that is being disputed.
259	Total charges Self-explanatory. GS1 Description: Total charges amount.
260	Total allowances Self-explanatory.
262	Instalment amount Amount paid or due for a single instalment of an instalment payment scheme.
263	Outstanding amount Amount still remaining outstanding for payment.
265	Commission amount Amount of any commission.
271	Nominal salary The salary amount without special allowances or other cash benefits.
272	Taxable salary The salary amount which is taxable.
276	Annual salary Self-explanatory.
277	Total contributions amount Sum of individual contributions.
278	Voluntary contribution amount The amount is for a non-compulsory contribution.
286	Administration charge Charge made for an administration activity.

**Used Codes**

289	Subtotal amount Total amount of money that is part of a complete amount.
296	Total authorised deduction Total amount of authorised deductions.
304	Other charges Miscellaneous charges.
315	Opening balance (SWIFT Code) The amount of the opening balance.
343	Closing balance (SWIFT Code) The closing balance is the last balance for a reporting period.
344	Value date balance (SWIFT Code) This is the balance on value date.
345	Cost amount for providing the balance (SWIFT Code) Cost information for providing the statement.
346	Total credits (SWIFT Code) The total of all credit items reported.
347	Total debits (SWIFT Code) The total of all debit items reported.
348	Booked amount on the account (SWIFT Code) Booked amount on the account.
349	Pending amount to be booked on account (SWIFT Code) The amount which is pending booking on a financial account.
350	Damage repair cost Cost incurred by repair of the damage.
357	Interim opening balance (SWIFT Code) The opening balance of a consecutive statement.
358	Interim closing balance (SWIFT Code) The closing balance of a consecutive statement.
359	Balance to be confirmed for audit reasons Balance to be confirmed for audit reasons.
360	Accrued debit interest (SWIFT Code) Accrued debit interest.
361	Accrued credit interest (SWIFT Code) Accrued credit interest.
369	Goods and services tax Amount charged as tax on goods and services.



**Used Codes**

388	Total amount including Value Added Tax (VAT) The total monetary amount which includes the Value Added Tax (VAT).
396	Total price subsidy value The total value of all price subsidies.
397	Advertising amount Amount related to advertising.
400	Rebate amount The amount of a rebate.
401	Debt financing charge A charge amount related to the financing of a debt.
402	Total retail value The total retail value of all products.
462	Annual turnover The annual turnover.
496	Total returnable packages deposit amount Total deposit amount for returnable packages.
497	Goods and services total amount excluding returnable goods Total amount of goods and services excluding deposits for returnable goods.
503	Contract total amount Total value of a contract.
505	Rental amount The amount to be paid for the right to use a place, product or service.
506	Gross-progress payment amount Gross monetary amount paid or to be paid at intervals.
507	Net-progress payment amount Net monetary amount paid or to be paid at intervals.
508	Value of returned product Value of product returned by the customer.
509	Unit allowance amount The monetary amount of an allowance for each unit.
526	Volume discount A discount for reaching or exceeding an agreed volume.
527	Product range discount Discount for the purchase of a whole range of products.
528	Calculation basis excluding all taxes The amount used as the basis for calculation excludes all taxes.

**Used Codes**

529	Calculation basis which includes all taxes except VAT The amount, used as the basis for calculation, which includes all taxes except Value Added Tax (VAT).
542	Unloading and handling cost Cost incurred by unloading and handling.
544	Taxable amount - excluding payment discount amount Indication of the total taxable amount before deducting payment discount amount.
545	Must buy product in multi-buy promotions value The value of a product which must be bought in order to qualify for the multi-buy promotion. GS1 Note: Replaces GS1 Temporary Code 29E.
546	Additional voluntary contribution amount Additional voluntary contribution amount paid by the employee. GS1 Note: Replaces GS1 Temporary Code 33E.
547	Interest amount over employee's obligatory contribution Interest amount calculated over the employee's obligatory contribution. GS1 Note: Replaces GS1 Temporary Code 34E. EDIFACT code added, replacing GS1 code 34E
548	Prepaid amount related to the obligatory contribution Prepaid amount related to the employee's obligatory contribution. GS1 Note: Replaces GS1 Temporary Code 39E.
549	Amount to be compensated between social security entities Amount which needs to be compensated between social security entities. GS1 Note: Replaces GS1 Temporary Code 40E.
550	Bank check amount Amount to be paid by bank check.
10E	Value of coins (GS1 Temporary Code) The amount of change which is given by cigarette vending machines.
28E	Financing allowance/charge (GS1 Temporary Code) A charge or allowance related to the financing of a debt.
29E	Multi-buy promotion value (GS1 Temporary Code) A value of a product included in a multi-buy promotion which must be purchased in order to qualify for the multi-buy promotion. GS1 Note: Code marked for deletion. Use value 545 instead.
32E	Exceptional situation amount (GS1 Temporary Code) Amount of the exceptional situation that affects the normal contribution of the employee in a given period.
33E	Additional voluntary contribution amount (GS1 Temporary Code) Additional voluntary contribution amount paid by the employee. GS1 Note: Code marked for deletion. Use value 546 instead.

**Used Codes**

34E	Interest amount over employee's obligatory contribution (GS1 Temporary Code) Interest amount calculated over the employee's obligatory contribution (GS1 Temporary Code) GS1 Note: Code marked for deletion. Use value 547 instead.
35E	Total returnable items deposit amount (GS1 Temporary Code) Total deposit amount for returnable items.
39E	Prepaid amount related to the obligatory contribution (GS1 Temporary Code) Prepaid amount related to the employee's obligatory contribution. GS1 Note: Code marked for deletion. Use value 548 instead.
40E	Amount to be compensated between social security entities (GS1 Temporary Code) Amount which needs to be compensated between social security entities. GS1 Note: Code marked for deletion. Use value 549 instead.
41E	Interest over solidarity fund (GS1 Temporary Code) Interest to pay because contribution to solidarity fund was not paid on time.
42E	Interest over employee additional contribution (GS1 Temporary Code) Interest to pay because contribution to employee additional contribution was not paid on time.
X41	Total returnable items rental fee amount (GS1 Temporary Code) Total rental fee amount for returnable items.
X42	Rental fee (GS1 Temporary Code) The amount charged for the rental of an item.
XB5	Information amount (SWIFT Code) A monetary amount provided for information purposes.
XB6	Beneficiary's account number unknown (SWIFT Code) The account number of the beneficiary is unknown.
<b>5125</b>	Price code qualifier Code qualifying a price.  Notes: 1. The code set from data element 5387 may also be used as agreed among trading partners.
1E	Calculation net - including taxes (GS1 Temporary Code) The price stated is the net price including all allowances and charges, and including taxes. Allowances and charges may be stated for information purposes only.

**Used Codes**

AAA	<p>Calculation net</p> <p>The price stated is the net price including allowances/ charges. Allowances/ charges may be stated for information only.</p> <p>GS1 Description:</p> <p>The price stated is the net price including allowances/ charges and excluding taxes. Allowances/charges may be stated for information only.</p>
AAB	<p>Calculation gross</p> <p>The price stated is the gross price to which allowances/charges, if valid, must be applied.</p> <p>GS1 Description:</p> <p>The price stated is the gross price excluding all allowances, charges and taxes. Allowances and charges must be stated and used for net calculation purposes.</p>
AAE	<p>Information price, excluding allowances or charges, including taxes</p> <p>The price stated is for information purposes only and excludes all allowances and charges. Taxes however are included in the price.</p>
AAF	<p>Information price, excluding allowances or charges and taxes</p> <p>The price stated is for information purposes only and excludes all allowances, charges and taxes.</p>
AAH	<p>Subject to escalation and price adjustment</p> <p>Subject to increase or development by successive stages and price adjustment.</p>
AAQ	<p>Firm price</p> <p>Price which will remain unchanged for a given time period.</p>
ABL	<p>Base price</p> <p>The base price of a product or service.</p>
ABM	<p>Base price difference</p> <p>The difference in price against a base price.</p>
CAL	<p>Calculation price</p> <p>The price stated is the price for the calculation of the line item amount.</p>
INF	<p>Information</p> <p>The price is provided for information.</p>
<b>5153</b>	<p>Duty or tax or fee type name code</p> <p>Code specifying a type of duty, tax or fee.</p>
VAT	<p>Value added tax</p> <p>A tax on domestic or imported goods applied to the value added at each stage in the production/distribution cycle.</p>
<b>5245</b>	<p>Percentage type code qualifier</p> <p>Code qualifying the type of percentage.</p>
3	<p>Allowance or charge</p> <p>[5424] Allowance or charge expressed as a percentage.</p>

## Used Codes

---

12	Discount Discount expressed as a percentage.
<b>5273</b>	Duty or tax or fee rate basis code Code specifying the basis for a duty or tax or fee rate.
1	Value (5316) To specify that the applicable rate of duty, tax or fee is based on the Customs value (CCC).
2	Weight (6150) To specify that the applicable rate of duty, tax or fee is based on the weight of the item (CCC).
3	Quantity (6060) To specify that the applicable rate of duty, tax or fee is based on the quantity of the item (CCC).
<b>5283</b>	Duty or tax or fee function code qualifier Code qualifying the function of a duty or tax or fee.
7	Tax Contribution levied by an authority.
<b>5305</b>	Duty or tax or fee category code Code specifying a duty or tax or fee category.
A	Mixed tax rate Code specifying that the rate is based on mixed tax. GS1 Description: Transaction includes item taxed at different rates.
AA	Lower Rate Tax rate is lower than standard rate.
AC	Value Added Tax (VAT) not now due for payment A code to indicate that the Value Added Tax (VAT) amount which is due on the current invoice is to be paid on receipt of a separate VAT payment request. GS1 Description: The value added tax is not due for payment now.
AE	VAT Reverse Charge Code specifying that the standard VAT rate is levied from the invoicee. GS1 Description: Code specifying that the rate is based upon the reverse charge VAT treatment which is always standard rate tax.
C	Duty paid by supplier Duty associated with shipment of goods is paid by the supplier; customer receives goods with duty paid.

**Used Codes**

D	Value Added Tax (VAT) margin scheme - travel agents Indication that the VAT margin scheme for travel agents is applied.
E	Exempt from tax Code specifying that taxes are not applicable. GS1 Description: All items in the transaction or a specific line item are exempt from tax.
F	Value Added Tax (VAT) margin scheme - second-hand goods Margin scheme for second-hand goods.
G	Free export item, tax not charged Indication that the VAT margin scheme for second-hand goods is applied.
H	Higher rate Code specifying a higher rate of duty or tax or fee. GS1 Description: All items in the transaction or a specific line item are taxed at the higher rate of tax.
I	Value Added Tax (VAT) margin scheme - works of art Indication that the VAT margin scheme for works of art is applied.
J	Value Added Tax (VAT) margin scheme - collector's items and antiques Indication that the VAT margin scheme for collector's items and antiques is applied.
O	Services outside scope of tax Code specifying that taxes are not applicable to the services.
S	Standard rate Code specifying the standard rate. GS1 Description: All items in the transaction or a specific line item are taxed at the standard rate of tax.
Z	Zero rated goods Code specifying that the goods are at a zero rate. GS1 Description: All items in the transaction or a specific line item are zero tax rated.
<b>5387</b>	Price specification code Code identifying pricing specification.
AAB	Price includes tax Code specifying that the price is inclusive of tax.
AAC	Buyer suggested retail price The suggested retail price as suggested or determined by the party purchasing the goods.
AAE	Not subject to fluctuation Not subject to escalation or adjustment.

**Used Codes**

AAF	Subject to escalation Subject to increase or development by successive stages.
AAG	Subject to price adjustment Code specifying that the price is subject to adjustment.
AAK	New price A price valid from an effective date/time/period.
AAL	Old price A price valid prior to an effective date/time/period of a new price.
ABA	Individual buyer price A price which is available to an individual buyer as opposed to an institutional buyer.
ABB	Group buying price A price which is available to a buying group.
ABC	Group member buying price A special price given to a member of a buying group.
ABD	Pre-payment price A special price if pre-payment is made for the article ordered.
ABE	Retail price - excluding taxes Retail price not including any applicable taxes.
ABF	Suggested retail price - excluding taxes Suggested retail price not including any applicable taxes.
ABH	Statutory minimum retail price The legal minimum retail price. EDIFACT
ABM	Base price difference The difference in price against a base price. GS1 Description: The difference in price between the price of a base article in a Customer Specific Article (CSA) and the price of a component part of the CSA configuration.
ACA	Agreed minimum retail price The agreed minimum retail price for an article. GS1 Note: Replaces GS1 Temporary Code AMP.
ACB	Marked retail price The retail price of a product which has been marked on the products packaging. GS1 Note: Replaces GS1 Temporary Code MRP.
ALT	Alternate price A substitute cost.

**Used Codes**

AMP	Agreed minimum retail price (GS1 Temporary Code) The agreed minimum retail price for an article. GS1 Note: Code marked for deletion. Use value ACA instead.
AP	Advice price Code specifying an advice price.
BAP	Base article price (GS1 Temporary Code) The price of a base article in a Customer Specific Article.
CP	Current price Price at time of transaction, but subject to future change.
CU	Consumer unit Code specifying that the price is based on consumer unit.
DAP	Dealer adjusted price The necessary or desirable changes that the sales agency makes with respect to the value of the product.
DIS	Distributor price The cost associated with the agency that markets goods.
DPR	Discount price A reduction from the usual list value.
DR	Dealer price Code specifying a dealer price. GS1 Description: Price associated with the dealer of the product.
ES	Estimated price Code specifying an estimated price. GS1 Description: An estimated price of the product which will later be confirmed.
EUP	Expected unit price The anticipated value of a single item.
GRP	Gross unit price Unit price to which allowances and charges apply.
INV	Invoice price Price per unit of quantity of a product as specified on an invoice.
LBL	Labelling price Retail price of the buyer that should be printed by the producer on the article's label. The labelling price is not necessary the effective retail price.
LIU	List price (GS1 Temporary Code) Regular list price (no promotions or special discounts applied).



**Used Codes**

MAX	Maximum order quantity price The greatest amount of goods or services which one can buy to receive a certain value.
MIN	Minimum order quantity price The least amount of goods or services that one can buy to receive a certain value.
MRP	Marked retail price (GS1 Temporary Code) The retail price of a product which has been marked on the products packaging. GS1 Note: Code marked for deletion. Use value ACB instead.
NE	Not-to-exceed price Code specifying a price that cannot be increased. GS1 Description: A price which is not to be exceeded.
NTP	Net unit price Unit price to which no allowances and charges apply.
PPD	Prepaid freight charges The cost of shipping is paid before the goods are shipped.
PPR	Provisional price Price per unit of quantity of a product as provisionally agreed.
PRP	Promotional price The value that is placed on an item that is being developed. The idea is to sell this product for less than one normally would, and make up for it by selling a larger quantity.
QTE	Quote price Price per unit of quantity of a product as specified in a quote.
RTP	Retail price Price per unit of quantity of a product to be used for retail.
SRP	Suggested retail price Price per unit of quantity of a product suggested for retail.
TU	Traded unit Code specifying a traded unit price.
<b>5419</b>	Rate type code qualifier Code qualifying the type of rate.
1	Allowance rate Code specifying the allowance rate.
2	Charge rate Code specifying the charge rate.

**Used Codes**

<b>5463</b>	Allowance or charge code qualifier Code qualifying an allowance or charge.
A	Allowance Code specifying an allowance. GS1 Description: Deduction in the form of a rate, amount, percentage, or quantity to the price or amount charged for a product.
C	Charge Code specifying a charge. GS1 Description: Addition in the form of a rate, amount, percentage, or quantity to the price or amount charged for a product.
N	No allowance or charge No increases or reduction in price (list or stated) are included.
<b>5495</b>	Sub-line indicator code Code indicating a sub-line item.
1	Sub-line information Code indicating a sub-line item.
<b>6063</b>	Quantity type code qualifier Code qualifying the type of quantity.
1	Discrete quantity Individually separated and distinct quantity.
3	Cumulative quantity Quantity accumulated.
11	Split quantity Part of the whole quantity.
12	Despatch quantity Quantity despatched by the seller.
17	Quantity on hand The total quantity of a product on hand at a location. This includes as well units awaiting return to manufacturer, units unavailable due to inspection procedures and undamaged stock available for despatch, resale or use. GS1 Description: Quantity on hand including damaged and committed stock.
18	Previous quantity Quantity previously referenced.
21	Ordered quantity The quantity which has been ordered.

**Used Codes**

23	Active ingredient Quantity at 100% active agent content.
26	Promotion quantity A quantity associated with a promotional event.
27	On hold for shipment Article received which cannot be shipped in its present form.
28	Military sales quantity Quantity of goods or services sold to a military organization.
29	On premises sales Sale of product in restaurants or bars.
30	Off premises sales Sale of product directly to a store.
40	Normal delivery Quantity normally delivered by the seller.
42	Maximum supply quantity, supplier endorsed Maximum supply quantity endorsed by a supplier.
46	Delivered quantity Number of pieces actually received at the final destination. GS1 Description: Quantity actually delivered to the final destination.
47	Invoiced quantity The quantity as per invoice.
48	Received quantity The quantity which has been received.
52	Quantity per pack Quantity for each pack. GS1 Description: The quantity contained in the currently identified pack.
53	Minimum order quantity Minimum quantity of goods for an order. GS1 Description: The smallest number of units of a product which may be ordered.
54	Maximum order quantity Maximum quantity of goods for an order. GS1 Description: The largest number of units of a product which may be ordered.
57	In transit quantity A quantity that is en route.

**Used Codes**

58	Quantity withdrawn Quantity withdrawn from a location.
59	Number of consumer units in the traded unit Number of units for consumer sales in a unit for trading. GS1 Description: The number of consumer units (package size of a product agreed between trading partners as the unit crossing the retail point of sale) in a traded unit to be ordered, delivered and invoiced.
60	Current inventory quantity available for shipment Current inventory quantity available for shipment.
61	Return quantity Quantity of goods returned.
65	Destroyed quantity Quantity of goods destroyed. GS1 Description: Quantity of a product which will be/has been destroyed because of damage or freshness loss.
66	Committed quantity Quantity a party is committed to.
73	Outstanding quantity Difference between quantity ordered and quantity received.
74	Latest cumulative quantity Cumulative quantity after complete delivery of all scheduled quantities of the product.
79	Previous cumulative quantity Cumulative quantity prior the actual order.
81	Extra unplanned delivery Non scheduled additional quantity.
83	Backorder quantity The quantity of goods that is on back-order. GS1 Description: Quantity of a product for backorder purposes.
89	Quality control held Quantity of goods held pending completion of a quality control assessment.
92	Final delivery quantity Quantity of final delivery to a respective order.
96	Quality control failed Quantity of goods which have failed quality control.
97	Minimum inventory Minimum stock quantity on which replenishment is based.

**Used Codes**

98	Maximum inventory Maximum stock quantity on which replenishment is based.
99	Estimated quantity Quantity estimated. GS1 Description: An estimation of stock quantity.
100	Chargeable weight The weight on which charges are based.
101	Chargeable gross weight The gross weight on which charges are based.
109	Chargeable volume The volume on which charges are based.
110	Chargeable cubic measurements The cubic measurements on which charges are based.
113	Quantity to be delivered The quantity to be delivered.
119	Short shipped Indication that part of the consignment was not shipped.
121	Over shipped Indication that more goods have been shipped than contracted for delivery. GS1 Description: The overshipped quantity is the difference between the quantity shipped and the quantity contracted for delivery.
124	Damaged goods Quantity of goods which have deteriorated in transport such that they cannot be used for the purpose for which they were originally intended.
128	Quantity loaded Quantity of goods loaded onto a means of transport.
129	Units per unit price Number of units per unit price.
130	Allowance Quantity relevant for allowance.
131	Delivery quantity Quantity required by buyer to be delivered.
135	Period quantity, planned Quantity planned for this period.
145	Actual stock The stock on hand, undamaged, and available for despatch, sale or use.

**Used Codes**

146	Model or target stock The stock quantity required or planned to have on hand, undamaged and available for use.
152	Consignment stock Quantity of goods with an external customer which is still the property of the supplier.
153	Statistical sales quantity Quantity of goods sold in a specified period.
156	Inventory movement quantity To specify the quantity of an inventory movement.
157	Opening stock balance quantity To specify the quantity of an opening stock balance.
158	Closing stock balance quantity To specify the quantity of a closing stock balance.
164	Delivery batch Quantity of the referenced item which constitutes a standard batch for deliver purposes.
170	Allocated quantity Quantity of the referenced item allocated from available stock for delivery.
191	Adjustment to inventory quantity An adjustment to inventory quantity.
192	Free goods quantity Quantity of goods which are free of charge.
193	Free quantity included Quantity included to which no charge is applicable. GS1 Description: Free quantity included.
194	Received and accepted Quantity which has been received and accepted at a given location.
195	Received, not accepted, to be returned Quantity which has been received but not accepted at a given location and which will consequently be returned to the relevant party.
196	Received, not accepted, to be destroyed Quantity which has been received but not accepted at a given location and which will consequently be destroyed.
197	Reordering level Quantity at which an order may be triggered to replenish.

**Used Codes**

198	Quantity in transit Quantity which is currently in transit.
	Notes: This code value will be removed effective with directory D.04A.
199	Inventory withdrawal quantity Quantity which has been withdrawn from inventory since the last inventory report.
200	Free quantity not included Free quantity not included in ordered quantity.
205	Publication Turn Size The quantity of magazines or newspapers grouped together with the spine facing alternate directions in a bundle. EDIFACT
209	Additional replenishment demand quantity Incremental needs over and above normal replenishment calculations, but not intended to permanently change the model parameters.
210	Returned by consumer quantity Quantity returned by a consumer. GS1 Description: Quantity of product returned by the consumer to the place/party of sale.
211	Replenishment override quantity Quantity to override the normal replenishment model calculations, but not intended to permanently change the model parameters.
212	Quantity sold, net Net quantity sold which includes returns of saleable inventory and other adjustments.
217	Out of inventory quantity Quantity of inventory which was requested but was not available.
243	Reserved quantity customer direct delivery sales Quantity of products reserved for sales delivered direct to the customer.
244	Reserved quantity retail sales Quantity of products reserved for retail sales.
246	Returns replacement quantity A quantity of goods issued as a replacement for a returned quantity.
247	Additional promotion sales forecast quantity A forecast of additional quantity which will be sold during a period of promotional activity.
248	Reserved quantity Quantity reserved for specific purposes.

**Used Codes**

249	Quantity displayed not available for sale Quantity displayed within a retail outlet but not available for sale.
250	Inventory discrepancy The difference recorded between theoretical and physical inventory.
251	Incremental order quantity The incremental quantity by which ordering is carried out.
252	Quantity requiring manipulation before despatch A quantity of goods which needs manipulation before despatch.
253	Quantity in quarantine A quantity of goods which are held in a restricted area for quarantine purposes.
255	Quantity not available for despatch A quantity of goods not available for despatch.
256	Quantity awaiting delivery Quantity of goods which are awaiting delivery.
257	Quantity in physical inventory A quantity of goods held in physical inventory.
258	Quantity held by logistic service provider Quantity of goods under the control of a logistic service provider.
264	Equipment quantity A count of a quantity of equipment.
266	Unsold quantity held by wholesaler Unsold quantity held by the wholesaler.
267	Quantity held by delivery vehicle Quantity of goods held by the delivery vehicle.
268	Quantity held by retail outlet Quantity held by the retail outlet.
269	Rejected return quantity A quantity for return which has been rejected.
392	Supplier estimated previous meter reading Previous meter reading estimated by the supplier.
393	Supplier estimated latest meter reading Latest meter reading estimated by the supplier.
394	Customer estimated previous meter reading Previous meter reading estimated by the customer.
395	Customer estimated latest meter reading Latest meter reading estimated by the customer.



**Used Codes**

396	Supplier previous meter reading Previous meter reading done by the supplier.
397	Supplier latest meter reading Latest meter reading recorded by the supplier.
399	File size before compression The size of a file before compression.
400	File size after compression The size of a file after compression.
426	Production requirements Quantity needed to meet production requirements.
440	Number of quantitative incentive scheme units Number of units allocated to a quantitative incentive scheme.
444	Return to warehouse A quantity of products sent back to the warehouse.
445	Return to the manufacturer A quantity of products sent back from the manufacturer.
447	Quantity moved between outlets The quantity of magazines or newspapers grouped together with the spine facing alternate directions in a bundle. EDIFACT
452	En route to warehouse quantity A quantity of products that is en route to a warehouse. EDIFACT
453	En route from warehouse quantity A quantity of products that is en route from a warehouse. EDIFACT
454	Quantity ordered but not yet allocated from stock A quantity of products which has been ordered but which has not yet been allocated from stock. EDIFACT
455	Not yet ordered quantity The quantity which has not yet been ordered. EDIFACT
457	Maximum number of units per shelf Maximum number of units of a product that can be placed on a shelf. EDIFACT
466	Advised but not arrived Goods are advised by the consignor or supplier, but have not yet arrived at the destination.

**Used Codes**

467	Received but not available Goods have been received in the arrival area but are not yet available.
468	Goods blocked for transshipment process Goods are physically present, but can not be ordered because they are scheduled for a transshipment process.
469	Goods blocked for cross docking process Goods are physically present, but can not be ordered because they are scheduled for a cross docking process.
471	Number of packages for a set Number of packages used to pack the individual items in a grouping of merchandise that is sold together as a single trade item.
472	Number of items in a set The number of individual items in a grouping of merchandise that is sold together as a single trade item.
473	Order sizing factor A trade item specification other than gross, net weight, or volume for a trade item or a transaction, used for order sizing and pricing purposes.
474	Number of different next lower level trade items Value indicates the number of different next lower level trade items contained in a complex trade item.
475	Agreed maximum buying quantity The agreed maximum quantity of the trade item that may be purchased.
476	Agreed minimum buying quantity The agreed minimum quantity of the trade item that may be purchased.
477	Free quantity of next lower level trade item The numeric quantity of free items in a combination pack. The unit of measure used for the free quantity of the next lower level must be the same as the unit of measure of the Net Content of the Child Trade Item.
503	Quantity to be checked Quantity which must be checked and confirmed by the partner.
504	Number of wash loads Number of wash loads or washing machine runs possible per item. EDIFACT
505	Goods in transit not responsibility of party reporting Stock quantity which is not yet under the responsibility of the party reporting the stocks but which is in transit, i.e. not yet in physical possession. GS1 Note: Replaces GS1 Temporary Code 19E.
506	Goods in transit responsibility of party reporting Stock quantity under the responsibility of the party reporting the stocks but which is in transit, i.e. not yet in physical possession. GS1 Note: Replaces GS1 Temporary Code 20E.

**Used Codes**

507	Free quantity basis A code indicating the basis for a free quantity, e.g. 1 piece free for every 12 purchased, 12 is the basis. GS1 Note: Replaces GS1 Temporary Code 22E.
508	Forecast quantity A quantity used for forecasting purposes. GS1 Note: Replaces GS1 Temporary Code 26E.
509	Sales forecast quantity A quantity of goods used for sales forecasting purposes. GS1 Note: Replaces GS1 Temporary Code 38E.
510	Minimum invoicing quantity Minimum quantity of goods which may be invoiced according to agreed conditions. GS1 Note: Replaces GS1 Temporary Code 39E.
511	Quantity tested Number of items used for testing purposes. GS1 Note: Replaces GS1 Temporary Code 40E.
512	Must buy product quantity in multi-buy promotion Number of products which must be bought in order to qualify for a multi-buy promotion. GS1 Note: Replaces GS1 Temporary Code 44E.
530	Requested promotion quantity out of stock The quantity of promotional goods that was requested but out of stock.
531	Ordered promotion quantity awaiting despatch The quantity of promotional goods that has been ordered and not yet despatched.
532	Unprocessed confirmed sales order The quantity of goods of the confirmed sales order which has not been processed.
533	Unprocessed confirmed sales order promotional quantity The quantity of promotional goods of confirmed sales order which has not been processed.
17E	Number of units in lower packaging or configuration level (GS1 Temporary Code) The number of units contained in lower packaging or configuration level.
19E	Goods in transit not responsibility of party reporting (GS1 Temporary Code) Stock quantity which is not yet under the responsibility of the party reporting the stocks but which is in transit, i.e. not yet in physical possession. GS1 Note: Code marked for deletion. Use value 505 instead.

**Used Codes**

20E	<p>Goods in transit already responsibility of party reporting (GS1 Temporary Code)</p> <p>Stock quantity already under the responsibility of the party reporting the stocks but which is in transit, i.e. not yet in physical possession. GS1 Note: Code marked for deletion. Use value 506 instead.</p>
22E	<p>Free quantity basis (GS1 Temporary Code)</p> <p>A code indicating the basis for a free quantity, e.g. 1 piece free for every 12 purchased, 12 is the basis. GS1 Note: Code marked for deletion. Use value 507 instead.</p>
26E	<p>Forecast quantity (GS1 Temporary Code)</p> <p>A quantity used for forecasting purposes other than sales forecasting, e.g. manufacturing forecast. GS1 Note: Code marked for deletion. Use value 508 instead.</p>
31E	<p>Promotional stock (GS1 Temporary Code)</p> <p>A quantity of stock reserved for promotional activities.</p>
32E	<p>Consolidated discount stock (GS1 Temporary Code)</p> <p>Additional stock which is greater than the stocks actually ordered which have been supplied in bulk at favourable terms.</p>
38E	<p>Forecast sales quantity (GS1 Temporary Code)</p> <p>A quantity of goods used for sales forecasting purposes. GS1 Note: Code marked for deletion. Use value 509 instead.</p>
39E	<p>Minimum invoicing quantity (GS1 Temporary Code)</p> <p>Minimum quantity of goods which may be invoiced according to agreed conditions. GS1 Note: Code marked for deletion. Use value 510 instead.</p>
40E	<p>Quantity tested (GS1 Temporary Code)</p> <p>A quantity of an item used for testing purposes. GS1 Note: Code marked for deletion. Use value 511 instead.</p>
44E	<p>Multi-buy promotion quantity (GS1 Temporary Code)</p> <p>A quantity of a product included in a multi-buy promotion which must be purchased in order to qualify for the multi-buy promotion. GS1 Note: Code marked for deletion. Use value 512 instead.</p>
45E	<p>Number of units in higher packaging or configuration level (GS1 Temporary Code)</p> <p>The number of units contained in higher packaging or configuration level.</p>
48E	<p>Quantity blocked by owner of goods (GS1 Temporary Code)</p> <p>A quantity of goods, held by a third party, which has been blocked following an instruction by the owner of the goods. These goods must not be used except with the express permission of the owner of the goods.</p>
61E	<p>Available for despatch (GS1 Temporary Code)</p> <p>Quantity of goods which are available to despatch. (Note: This figure is arrived by calculating the sum of 145+256).</p>

**Used Codes**

62E	Rate of conversion (GS1 Temporary Code) Rate by which the measured unit must be multiplied to calculate the actual units used.
63E	Maximum number of deliveries (GS1 Temporary Code) Maximum number of deliveries allowed during a defined period of time at a specified activity, e.g. a promotion.
71E	Quantity prepared for despatch (GS1 Temporary Code) Quantity which is prepared for despatch.
72E	Average number of units in lower packaging or configuration level (GS1 Temporary Code) The average number of units in lower packaging or configuration level.
75E	Optional quantity (GS1 Temporary Code) Quantity which is optional.
80E	Quantity in customs bond (GS1 Temporary Code) Quantity of goods held in customs bond.
81E	Quantity settling (GS1 Temporary Code) A quantity of product which is settling before it can be used.
82E	Outstanding promotion products quantity (GS1 Temporary Code) The difference between a quantity ordered and a quantity received of a promotion product. This code should only be used where a promotional agreement covering prices and/or quantities exists between the buyer and the supplier.
83E	Promotion quantity ordered to the supplier but not yet received (GS1 Temporary Code) A quantity of promotion products which has been ordered but which is not yet been received at the delivery point. This code should only be used where a promotional agreement covering prices and/or quantities exists between the buyer and the supplier.
84E	Movements out of promotion inventory (GS1 Temporary Code) The quantity which has moved out of promotion inventory. This code should only be used where a promotional agreement covering prices and/or quantities exists between the buyer and the supplier.
85E	Movements into promotion inventory (GS1 Temporary Code) The quantity which has been received into the promotion inventory.
86E	Out of inventory promotion quantity (GS1 Temporary Code) Promotion quantity of inventory which was requested but was not available.
87E	Ordered promotions quantity but awaiting despatch (GS1 Temporary Code) A promotions quantity of goods which have been ordered but are awaiting delivery.
88E	Reserved inventory promotion quantity (GS1 Temporary Code) Promotion quantity for the reserved inventory.

**Used Codes**

89E	Additional promotions replenishment demand quantity (GS1 Temporary Code) Incremental promotion needs over and above normal replenishment calculations, but not intended to permanently change the model parameters.
90E	Back order promotion quantity (GS1 Temporary Code) The promotion quantity which has been ordered, but not delivered.
91E	Promotional ordered quantity (GS1 Temporary Code) Quantity of ordered product related to a promotion.
92E	Produced quantity (GS1 Temporary Code) The quantity which has been produced.
93E	Extraordinary sale (GS1 Temporary Code) Sales which will not be included in the calculation of replenishment requirements, e.g. sales to staff, to sport clubs, etc.
X11	Incentive unit basis (GS1 Temporary Code) Unit basis used to calculate quantitative incentive schemes.
X20	Reserved quantity, provisional (GS1 Temporary Code) A quantity of stock provisionally reserved prior to a formal decision.
X22	Consignment stock, available on ordering (GS1 Temporary Code) A quantity of products in consignment stock which become available to the buyer when they have been ordered.
X23	Consignment stock, available on agreement (GS1 Temporary Code) A quantity of products in consignment stock which become available to the buyer after an agreement has been reached.
X24	Consignment stock, available at due date (GS1 Temporary Code) A quantity of products in consignment stock which become available to the buyer at a scheduled due date.
<b>6311</b>	Measurement purpose code qualifier Code qualifying the purpose of the measurement.
AAI	Item weight Weight at line item level.
<b>6313</b>	Measured attribute code Code specifying the attribute measured.
A	Consolidated weight The measured consolidated weight.
AAA	Unit net weight GS1 Description: Weight (mass) of the goods without any packing.

**Used Codes**

AAB	Unit gross weight [6292] Weight (mass) of goods including packing but excluding the carrier's equipment.
AAC	Total net weight Total weight of goods excluding packaging. GS1 Description: "Total" in this code means the sum of the net weight of all items.
AAD	Total gross weight [6292] Weight (mass) of goods including packing but excluding the carrier's equipment. GS1 Description: "Total" in this code means the sum of the gross weight of all items.
AAJ	Number of units per pallet The number of units contained on a pallet. GS1 Description: An indication of the number of units on a loaded pallet. The value associated with this code is calculated by multiplying the number of units per layer by the number of layers on a pallet.
AAK	Fat content An indication of the fat content of a product.
AAL	Net weight GS1 Description: Weight (mass) of goods excluding packaging. GS1 usage note: The field of implementation of this code is the area of transport and related activities such as the preparation of goods into consignments for shipping.
AAO	Humidity Self-explanatory.
AAP	Voltage Self-explanatory.
AAQ	Power consumption Value of energy consumption.
AAR	Heat dissipation Self-explanatory.
AAU	Operative temperature Temperature identified system or process works according to specifications.
AAW	Gross volume The observed volume unadjusted for factors such as temperature or gravity. GS1 Description: The usage of this code relates to the contents, e.g. gases or liquids that expand/contract under given circumstances.

**Used Codes**

AAX	<p>Net volume</p> <p>The observed volume after adjustment for factors such as temperature or gravity.</p> <p>GS1 Description: The usage of this code relates to the contents, e.g. gases or liquids that expand/contract under given circumstances.</p>
AAY	<p>Water content</p> <p>Water content in product.</p>
ABF	<p>Item width when unrolled</p> <p>The width of an item when unrolled.</p>
ABG	<p>Item length when unrolled</p> <p>The length of an item when unrolled.</p>
ABH	<p>Item area when unrolled</p> <p>The area occupied by an item when unrolled.</p>
ABI	<p>Original wort</p> <p>Measure of the malt and hops content of beer, before fermentation has taken place.</p>
ABJ	<p>Volume</p> <p>The amount of air space taken up by the entity identified in the 6311 qualifier.</p> <p>GS1 Description: The usage of this code relates to the cube of air that the package takes up.</p>
ABK	<p>Angle</p> <p>The angle of an object.</p> <p>EDIFACT</p>
ABL	<p>Peg hole horizontal distance from package leftmost edge</p> <p>Horizontal distance from the left most edge of the package to the center of the hole into which the peg is inserted.</p> <p>EDIFACT</p>
ABM	<p>Peg hole vertical distance from top</p> <p>Vertical distance from the top of the package to the top of the hole into which the peg is inserted.</p> <p>EDIFACT</p>
ABO	<p>Product strength, chemical</p> <p>The amount of the single active chemical ingredient within a product.</p> <p>EDIFACT</p>
ABP	<p>Product strength basis, chemical</p> <p>Amount of product used as the basis for the specification of the chemical product strength.</p> <p>EDIFACT</p>
ABQ	<p>Percentage of alcohol (by volume)</p> <p>The percentage of alcohol contained in a liquid.</p>



**Used Codes**

ACG	Chargeable weight The weight on which charges are based.
ACN	Estimated gross weight Estimated weight (mass) of goods, including packing and excluding carrier's. GS1 Description: Estimated gross weight (mass) of goods, including packing and excluding carrier's equipment.
ACP	Estimated volume Estimated size or measure of anything in three dimensions. GS1 Description: The usage of this code relates to the cube of air that the package takes up.
ACV	Loading meters The length in a vehicle, whereby the complete width and height over that length is needed for the goods.
ADJ	Surface (GS1 Temporary Code) A measurement in relation a surface.
ADX	Transport container actual filling weight Actual filling weight of a transport container.
ADY	Transport container maximum capacity Maximum capacity of a transport container.
ADZ	Declared net weight The declared net weight of a product or products used for invoicing, customs or transport purposes. GS1 Description: The field of implementation of this code is the area of transport and/or customs.
AEA	Loading height Maximum height of products or packages loaded onto a given transportation device or equipment such as a pallet.
AEB	Stacking height Maximum height up to which the same product or package may be placed one upon the other for storage purposes.
AEI	Drained weight The weight of a product when all liquids used in the packaging of the product have been removed.
AEL	Area Extent or measure of a surface.
AEV	Acidity of juice Acid measurement of juice. GS1 Description: Acid number of juice of fruit measured with pH = 8.2.

## Used Codes

---

AEW	<p>Penetrometry Measurement of force required to drive a standard penetrating stamp.</p>
AEX	<p>Durofel Measurement of the elastic force using a standard penetrating stamp. GS1 Description: Measure of the elastic force of the pulp of a fruit. This is measured with a penetrating stamp and expressed as a percentage.</p>
AEY	<p>Juice weight per 100 grams Measurement of weight of juice, based on 100 grams of the entire weight. GS1 Description: Weight of juice, based on 100 grams of the entire fruit, expressed as a percentage.</p>
AEZ	<p>Fruit skin colour Measurement of the colouring of the epidermis of a fruit. GS1 Description: Colouring of the epidermis of a fruit measured with comparators. It indicates the maturity of the fruit or its commercial quality.</p>
AFB	<p>Durofel D10 Measure of the elastic force of the pulp of a fruit. It is measured with a penetrating stamp with diameter 10. GS1 Description: Measure of the elastic force of the pulp of a fruit. It is measured with a penetrating stamp with diameter 10. This measure is expressed as a percentage.</p>
AFC	<p>Durofel D25 Measure of the elastic force of the pulp of a fruit. It is measured with a penetrating stamp with diameter 25. GS1 Description: Measure of the elastic force of the pulp of a fruit. It is measured with a penetrating stamp with diameter 25. This measure is expressed as a percentage.</p>
AFD	<p>Durofel D50 Measure of the elastic force of the pulp of a fruit. It is measured with a penetrating stamp with diameter 50. GS1 Description: Measure of the elastic force of the pulp of a fruit. It is measured with a penetrating stamp with diameter 50. This measure is expressed as a percentage.</p>
AFE	<p>Maximum stacking weight The maximum weight which may be stacked upon a product or package without the product or packaging being crushed.</p>
AFF	<p>Gross measure cube The total cubic space occupied by an item, taking into account any protruding components, arrived at by multiplying the maximum length, width and height.</p>

**Used Codes**

AFG	Percentage fat content in dry matter The percentage of fat content in dry matter.
AFH	Saccharometric content Measurement of the sugar content of a solution. EDIFACT
AFI	Hydrate content of an alcoholic product after bottling The hydrate content which occurs in an alcoholic product after bottling.
AFJ	Anhydrous content The non-water content. GS1 Description: Anhydrous content of an alcoholic product.
AFT	Colour depth The number of distinct colours represented, e.g. in an image or in a display.
AFU	Colour depth, maximum The maximum number of distinct colours that can be represented, e.g. in an image or in a display.
AFV	Image resolution The level of detail of an image.
AFW	Device resolution, maximum The maximum level of detail produced by a device.
AFX	Acoustic absorption coefficient The portion of sound energy a surface absorbs, measured at different frequencies.
BNU	Peg hole number Used to identify the peg hole if more than one hole is present in the product or packaging.
BNV	Number of inner packs Indicates the number of non coded physical groupings (inner packs) of next lower level trade items within the current trade item level.
BNW	Number of next level trade items within inner pack The number of next lower level trade items contained within the physical non-coded grouping (inner pack).
BNX	Number of trade items per pallet layer The number of trade items contained on a single layer of a pallet.
BNY	Packed items layer Height The height of a single layer of packed items.
BNZ	Packing material weight, skin tight covering The weight measurement of the packing material used for skin tight covering (e.g. when packaging prepared meats, poultry, cheese, and other food products).

## Used Codes

BRB	Components labelled for recycling percentage Percentage of trade item components that clearly label how to facilitate product disassembly and recycling.
BRC	Renewable plastic components percentage, by net weight The percentage of the plastic components only made from rapidly renewable plant-based material by net weight of product.
BRD	Clamp pressure, required The pressure that should be applied by a clamp.
BUP	Number of base units per pallet (GS1 Temporary Code) The number of base units contained in a pallet.
CF1	Colony forming Unit (GS1 Temporary Code) Micro-organism colonies that are to be counted under determined conditions.
CT	Contents of package In combination with the other data elements of the actual segment this code indicates the measured content of a package.
DBX	Degree BRIX (GS1 Temporary Code) The rate of sugar.
DI	Diameter Diameter of an article.
DLL	Diluted liquid (GS1 Temporary Code) The volume of liquid which results after a dilution agent has been added, e.g. undiluted orange juice of 200ml, after dilution with water the volume of diluted liquid equals 1 litre.
DN	Density The measured density.
DP	Depth The measured depth.
ENE	Energy efficiency (GS1 Temporary Code) A measurement of the energy efficiency of an article.
G	Gross weight [6292] Weight (mass) of goods including packing but excluding the carrier's equipment. GS1 Description: The field of implementation of this code is the area of transport and related activities such as the preparation of goods into consignments for shipping.
HT	Height dimension Numeric value of height.
HYE	Hydrate content (GS1 Temporary Code) Hydrate content of an alcoholic product.

**Used Codes**

ID	<p>Inside diameter The measured inside diameter.</p> <p>GS1 Description: A measurement of the inside diameter of a roll, tube, pipe, or circle.</p>
LAY	<p>Number of layers (GS1 Temporary Code) Number of layers of a product or products within a package, container, pallet, etc.</p> <p>GS1 Description: Number of layers of a product or products within a package, container, pallet, etc.</p>
LN	<p>Length dimension (6168) Length of pieces or packages stated for transport purposes.</p>
MDM	<p>Maximum demand (GS1 Temporary Code) The highest demand recorded during the period of recording of usage of the supply.</p>
NPL	<p>Number of layers per pallet (GS1 Temporary Code) The number of layers per pallet.</p>
NPP	<p>Number of pallet places (GS1 Temporary Code) The number of pallet places needed to store or transport pallets (can be stacked).</p>
OD	<p>Outside diameter The measured outside diameter.</p> <p>GS1 Description: A measurement of the outside diameter of a roll, tube, pipe, or circle.</p>
PMC	<p>Package net measurement cube (GS1 Temporary Code) An indication of the net cubed measurement of a package.</p>
PWF	<p>Power factor (GS1 Temporary Code) The ration of the power dissipated (active power in kW) to the total power (which is the product of the input volts times amps given in kVa). When equipment which uses reactive power is being operated the power factor will be less than one.</p>
RA	<p>Relative humidity The measured relative humidity.</p>
RJ	<p>Rockwell C Hardness in the Rockwell C scale.</p>
SF	<p>Stacking factor excluding bottom item (GS1 Temporary Code) Maximum number of items stackable upon each other, excluding the bottom item.</p>
SPG	<p>Specific gravity (GS1 Temporary Code) The measured specific gravity.</p>

**Used Codes**

SSZ	Step size (GS1 Temporary Code) An indication of measurements in which options contained within a Customer Specific Article are available, e.g. 10 metre planks of wood may be sold in step sizes of 2 metres.
T	Tare weight Weight excluding goods and loose accessories.
TC	Temperature A measurement in relation to temperature.
TH	Thickness The measured thickness.
TN	Time period Measurement of a specific length of time.
UCO	Units per package (GS1 Temporary Code) The number of identified units per package.
ULY	Number of units per layer (GS1 Temporary Code) Number of units of a product or package within one layer of a package, container, pallet, etc.
WD	Width dimension Numeric value of width.
WRM	Weight per running metre (GS1 Temporary Code) A code used to indicate the weight per running metre of floor coverings over floor area.
WSM	Weight per square metre (GS1 Temporary Code) A code used to indicate the weight per square metre of floor coverings over floor area.
X01	Acidity of meat (1 hour after slaughtering) The meat's acid quality or condition expressed as a pH value measured 1 hour after slaughtering.
X02	Acidity of meat (12 hours after slaughtering) The meat's acid quality or condition expressed as a pH value measured 12 hours after slaughtering.
X03	Acidity of meat (24 hours after slaughtering) The meat's acid quality or condition expressed as a pH value measured 24 hours after slaughtering.
X04	Acidity of meat (36 hour(s) after slaughtering) The meat's acid quality or condition expressed as a pH value measured 36 hours after slaughtering.
X05	Acidity of meat (48 hour(s) after slaughtering) The meat's acid quality or condition expressed as a pH value measured 48 hours after slaughtering.

**Used Codes**

X13	Acidity of meat (GS1 Temporary Code) The meat's acid quality or condition expressed as a pH value.
X16	Slaughtering weight (GS1 Temporary Code) Warm weight after slaughter
X17	Stacking factor including bottom item (GS1 Temporary Code) Maximum number of items stackable upon each other, including the bottom item.
X1E	Number of units in the width of a layer (GS1 Temporary Code) Number of units of a product or package which make up the width of a layer in a package, container, pallet, etc.
X2E	Number of units in the depth of a layer (GS1 Temporary Code) Number of units of a product or package which make up the depth of a layer in a package, container, pallet, etc.
X6E	Nestable percentage (GS1 Temporary Code) Extent expressed as a percentage to which an item can be nested within an identical item.
X7E	Gross weight including carrier's equipment (GS1 Temporary Code) Weight (mass) of goods including packaging and the carrier's equipment. In this context 'carrier's equipment' means any material resources necessary to facilitate the transport and handling of the goods without having the ability to move by its own propulsion, e.g. pallet, container, etc. GS1 usage Note The field of implementation of this code is the area of transport and related activities such as the preparation of goods into consignments for shipping.
ZWA	Waste content The measured waste content.
<b>6343</b>	Currency type code qualifier Code qualifying the type of currency.
4	Invoicing currency The name or symbol of the monetary unit used for calculation in an invoice.
<b>6345</b>	Currency identification code Code specifying a monetary unit.  Notes: 1. Use ISO 4217 three alpha code.
AED	Dirham
AFN	Afghani
ALL	Lek
AMD	Dram

**Used Codes**

ANG	Netherlands Antillian Guilder
AOA	Kwanza
ARS	Argentine Peso
AUD	Australian Dollar
AWG	Aruban Florin
AZN	Azerbaijan Manat
BAM	Convertible Mark
BBD	Barbados Dollar
BDT	Taka
BGN	Bulgarian Lev
BHD	Bahraini Dinar
BIF	Burundi Franc
BMD	Bermudian Dollar (customarily: Bermuda Dollar)
BND	Brunei Dollar
BOB	Boliviano
BOV	Mvdol
BRL	Brazilian Real
BSD	Bahamian Dollar
BTN	Ngultrum
BWP	Pula
BYN	Belarussian Ruble
BZD	Belize Dollar
CAD	Canadian Dollar
CDF	Franc Congolais
CHE	WIR Euro
CHF	Swiss Franc
CHW	WIR Franc
CLF	Unidad de Fomento
CLP	Chilean Peso
CNY	Yuan Renminbi
COP	Colombian Peso
COU	Unidad de Valor Real
CRC	Costa Rican Colon



**Used Codes**

---

CUC	Peso Convertible
CUP	Cuban Peso
CVE	Cabo Verde Escudo
CZK	Czech Koruna
DJF	Djibouti Franc
DKK	Danish Krone
DOP	Dominican Peso
DZD	Algerian Dinar
EGP	Egyptian Pound
ERN	Nakfa
ETB	Ethopian Birr
EUR	Euro
FJD	Fiji Dollar
FKP	Falkland Islands Pound
GBP	Pound Sterling
GEL	Lari
GHS	Ghana Cedi
GIP	Gibraltar Pound
GMD	Dalasi
GNF	Guinean Franc
GTQ	Quetzal
GYD	Guyana Dollar
HKD	Honk Kong Dollar
HNL	Lempira
HRK	Kuna
HTG	Gourde
HUF	Forint
IDR	Rupiah
ILS	New Israeli Sheqel
INR	Indian Rupee
IQD	Iraqi Dinar
IRR	Iranian Rial
ISK	Iceland Krona

**Used Codes**

JMD	Jamaican Dollar
JOD	Jordanian Dinar
JPY	Yen
KES	Kenyan Shilling
KGS	Som
KHR	Riel
KMF	Comorian Franc
KPW	North Korean Won
KRW	Won
KWD	Kuwaiti Dinar
KYD	Cayman Islands Dollar
KZT	Tenge
LAK	Lao Kip
LBP	Lebanese Pound
LKR	Sri Lanka Rupee
LRD	Liberian Dollar
LSL	Loti
LYD	Libyan Dinar
MAD	Moroccan Dirham
MDL	Moldovan Leu
MGA	Ariary
MKD	Denar
MMK	Kyat
MNT	Tugrik
MOP	Pataca
MRU	Ouguiya
MUR	Mauritius Rupee
MVR	Rufiyaa
MWK	Malawi Kwacha
MXN	Mexican Peso
MXV	Mexican Unidad de Inversion (UDI)
MYR	Malaysian Ringgit
MZN	Mozambique Metical

**Used Codes**

NAD	Namibia Dollar
NGN	Naira
NIO	Cordoba Oro
NOK	Norwegian Krone
NPR	Nepalese Rupee
NZD	New Zealand Dollar
OMR	Rial Omani
PAB	Balboa
PEN	Sol
PGK	Kina
PHP	Philippine Piso
PKR	Pakistan Rupee
PLN	Zloty
PYG	Guarani
QAR	Qatari Rial
RON	Romanian Leu This currency code is effective from 1 July 2005
RSD	Serbian Dinar
RUB	Russian Ruble
RWF	Rwanda Franc
SAR	Saudi Riyal
SBD	Solomon Islands Dollar
SCR	Seychelles Rupee
SDG	Sudanese Pound
SEK	Swedish Krona
SGD	Singapore Dollar
SHP	St. Helena Pound
SLL	Leone
SOS	Somali Shilling
SRD	Suriname Dollar
SSP	South Sudanese Pound
STN	Dobra
SVC	El Salvador Colon

**Used Codes**

SYP	Syrian Pound
SZL	Lilangeni
THB	Baht
TJS	Somoni
TMT	Turkmenistan New Manat
TND	Tunisian Dinar
TOP	Pa'anga
TRY	Turkish Lira
TTD	Trinidad and Tobago Dollar
TWD	New Taiwan Dollar
TZS	Tanzanian Shilling
UAH	Hryvnia
UGX	Uganda Shilling
USD	US Dollar
USN	US Dollar (Next day)
UYI	Uruguayo Peso en Unidades
UYU	Peso Uruguayo
UYW	Unidad Previsional
UZS	Uzbekistan Sum
VES	Bolívar Soberano
VND	Dong
VUV	Vatu
WST	Tala
XAF	CFA Franc
XAG	Silver
XAU	Gold
XBA	Bond Markets Units European Composite Unit (EURCO)
XBB	European Monetary Unit (E.M.U.-6)
XBC	European Unit of Account 9 (E.U.A.-9)
XBD	European Unit of Account 17 (E.U.A.-17)
XCD	East Carribean Dollar
XDR	SDR
XOF	CFA Franc

**Used Codes**

XPD	Palladium
XPF	CFP Franc
XPT	Platinum
XSU	Sucre
XTS	Codes specifically reserved for testing purposes
XUA	ADB Unit of Account
XXX	The codes assigned for transactions where no currency is involved
YER	Yemeni Rial
ZAR	Rand
ZMW	Zambian Kwacha
ZWL	Zimbabwe Dollar (effective 1 February 2009)
<b>6347</b>	Currency usage code qualifier Code qualifying the usage of a currency.
2	Reference currency The currency applicable to amounts stated. It may have to be converted.
3	Target currency The currency which should be used to the target destination of the transaction.
<b>6411</b>	Measurement unit code Code specifying the unit of measurement.
	Notes:   1. Recommend use UN/ECE Recommendation 20, Common code.
10	group A unit of count defining the number of groups (group: set of items classified together).
11	outfit A unit of count defining the number of outfits (outfit: a complete set of equipment / materials / objects used for a specific purpose).
13	ration A unit of count defining the number of rations (ration: a single portion of provisions).
14	shot A unit of liquid measure, especially related to spirits.
15	stick, military A unit of count defining the number of military sticks (military stick: bombs or paratroops released in rapid succession from an aircraft).

**Used Codes**

20	twenty foot container A unit of count defining the number of shipping containers that measure 20 foot in length.
21	forty foot container A unit of count defining the number of shipping containers that measure 40 foot in length.
22	decilitre per gram
23	gram per cubic centimetre
24	theoretical pound A unit of mass defining the expected mass of material expressed as the number of pounds.
25	gram per square centimetre
27	theoretical ton A unit of mass defining the expected mass of material, expressed as the number of tons.
28	kilogram per square metre
33	kilopascal square metre per gram
34	kilopascal per millimetre
35	millilitre per square centimetre second
37	ounce per square foot
38	ounce per square foot per 0,01inch
40	millilitre per second
41	millilitre per minute
56	sitas A unit of area for tin plate equal to a surface area of 100 square metres.
57	mesh A unit of count defining the number of strands per inch as a measure of the fineness of a woven product.
58	net kilogram A unit of mass defining the total number of kilograms after deductions.
59	part per million A unit of proportion equal to 10 to the power of -6.
60	percent weight A unit of proportion equal to 10 to the power of -2.
61	part per billion (US) A unit of proportion equal to 10 to the power of -9.
64	pound per square inch, gauge

**Used Codes**

66	oersted
74	millipascal
76	gauss
77	milli-inch
78	kilogauss
80	pound per square inch absolute
81	henry
84	kilopound-force per square inch A unit of pressure defining the number of kilopounds force per square inch. Use kip per square inch (common code N20).
85	foot pound-force
87	pound per cubic foot
89	poise
91	stokes
1I	fixed rate A unit of quantity expressed as a predetermined or set rate for usage of a facility or service.
2A	radian per second Refer ISO/TC12 SI Guide
2B	radian per second squared Refer ISO/TC12 SI Guide
2C	roentgen
2G	volt AC A unit of electric potential in relation to alternating current (AC).
2H	volt DC A unit of electric potential in relation to direct current (DC).
2I	British thermal unit (international table) per hour
2J	cubic centimetre per second
2K	cubic foot per hour
2L	cubic foot per minute
2M	centimetre per second
2N	decibel
2P	kilobyte A unit of information equal to 10 to the power of 3 (1000) bytes.
2Q	kilobecquerel

**Used Codes**

2R	kilocurie
2U	megagram
2X	metre per minute
2Y	milliroentgen
2Z	millivolt
3B	megajoule
3C	manmonth A unit of count defining the number of months for a person or persons to perform an undertaking.
4C	centistokes
4G	microlitre
4H	micrometre (micron)
4K	milliampere
4L	megabyte A unit of information equal to 10 to the power of 6 (1000000) bytes.
4M	milligram per hour
4N	megabecquerel
4O	microfarad
4P	newton per metre
4Q	ounce inch
4R	ounce foot
4T	picofarad
4U	pound per hour
4W	ton (US) per hour
4X	kilolitre per hour
5A	barrel (US) per minute
5B	batch A unit of count defining the number of batches (batch: quantity of material produced in one operation or number of animals or persons coming at once).
5E	MMSCF/day A unit of volume equal to one million (1000000) cubic feet of gas per day.
5J	hydraulic horse power A unit of power defining the hydraulic horse power delivered by a fluid pump depending on the viscosity of the fluid.
A1	15 °C calorie



**Used Codes**

A10	ampere square metre per joule second
A11	angstrom
A12	astronomical unit
A13	attojoule
A14	barn
A15	barn per electronvolt
A16	barn per steradian electronvolt
A17	barn per steradian
A18	becquerel per kilogram
A19	becquerel per cubic metre
A2	ampere per centimetre
A20	British thermal unit (international table) per second square foot degree Rankine
A21	British thermal unit (international table) per pound degree Rankine
A22	British thermal unit (international table) per second foot degree Rankine
A23	British thermal unit (international table) per hour square foot degree Rankine
A24	candela per square metre
A25	cheval vapeur Synonym: metric horse power
A26	coulomb metre
A27	coulomb metre squared per volt
A28	coulomb per cubic centimetre
A29	coulomb per cubic metre
A3	ampere per millimetre
A30	coulomb per cubic millimetre
A31	coulomb per kilogram second
A32	coulomb per mole
A33	coulomb per square centimetre
A34	coulomb per square metre
A35	coulomb per square millimetre
A36	cubic centimetre per mole
A37	cubic decimetre per mole
A38	cubic metre per coulomb
A39	cubic metre per kilogram

**Used Codes**

A4	ampere per square centimetre
A40	cubic metre per mole
A41	ampere per square metre
A42	curie per kilogram
A43	deadweight tonnage A unit of mass defining the difference between the weight of a ship when completely empty and its weight when completely loaded, expressed as the number of tons.
A44	decalitre
A45	decametre
A47	decitex A unit of yarn density. One decitex equals a mass of 1 gram per 10 kilometres of length.
A48	degree Rankine Refer ISO 80000-5 (Quantities and units — Part 5: Thermodynamics)
A49	denier A unit of yarn density. One denier equals a mass of 1 gram per 9 kilometres of length.
A5	ampere square metre
A50	dyne second per cubic centimetre
A51	dyne second per centimetre
A52	dyne second per centimetre to the fifth power
A53	electronvolt
A54	electronvolt per metre
A55	electronvolt square metre
A56	electronvolt square metre per kilogram
A57	erg
A58	erg per centimetre
A59	8-part cloud cover A unit of count defining the number of eighth-parts as a measure of the celestial dome cloud coverage. Synonym: OKTA , OCTA
A6	ampere per square metre kelvin squared
A60	erg per cubic centimetre
A61	erg per gram
A62	erg per gram second

**Used Codes**

A63	erg per second
A64	erg per second square centimetre
A65	erg per square centimetre second
A66	erg square centimetre
A67	erg square centimetre per gram
A68	exajoule
A69	farad per metre
A7	ampere per square millimetre
A70	femtojoule
A71	femtometre
A73	foot per second squared
A74	foot pound-force per second
A75	freight ton A unit of information typically used for billing purposes, defined as either the number of metric tons or the number of cubic metres, whichever is the larger.
A76	gal
A77	Gaussian CGS (Centimetre-Gram-Second system) unit of displacement
A78	Gaussian CGS (Centimetre-Gram-Second system) unit of electric current
A79	Gaussian CGS (Centimetre-Gram-Second system) unit of electric charge
A8	ampere second
A80	Gaussian CGS (Centimetre-Gram-Second system) unit of electric field strength
A81	Gaussian CGS (Centimetre-Gram-Second system) unit of electric polarization
A82	Gaussian CGS (Centimetre-Gram-Second system) unit of electric potential
A83	Gaussian CGS (Centimetre-Gram-Second system) unit of magnetization
A84	gigacoulomb per cubic metre
A85	gigaelectronvolt
A86	gigahertz
A87	gigaohm
A88	gigaohm metre
A89	gigapascal
A9	rate A unit of quantity expressed as a rate for usage of a facility or service.
A90	gigawatt

**Used Codes**

A91	gon Synonym: grade
A93	gram per cubic metre
A94	gram per mole
A95	gray
A96	gray per second
A97	hectopascal
A98	henry per metre
A99	bit A unit of information equal to one binary digit.
AA	ball A unit of count defining the number of balls (ball: object formed in the shape of sphere).
AB	bulk pack A unit of count defining the number of items per bulk pack.
ACR	acre
ACT	activity A unit of count defining the number of activities (activity: a unit of work or action).
AD	byte A unit of information equal to 8 bits.
AE	ampere per metre
AH	additional minute A unit of time defining the number of minutes in addition to the referenced minutes.
AI	average minute per call A unit of count defining the number of minutes for the average interval of a call.
AK	fathom
AL	access line A unit of count defining the number of telephone access lines.
AMH	ampere hour A unit of electric charge defining the amount of charge accumulated by a steady flow of one ampere for one hour.
AMP	ampere
ANN	year Unit of time equal to 365,25 days. Synonym: Julian year

**Used Codes**

APZ	troy ounce or apothecary ounce
AQ	anti-hemophilic factor (AHF) unit A unit of measure for blood potency (US).
ARE	are Synonym: square decametre
AS	assortment A unit of count defining the number of assortments (assortment: set of items grouped in a mixed collection).
ASM	alcoholic strength by mass A unit of mass defining the alcoholic strength of a liquid.
ASU	alcoholic strength by volume A unit of volume defining the alcoholic strength of a liquid (e.g. spirit, wine, beer, etc), often at a specific temperature.
ATM	standard atmosphere
ATT	technical atmosphere
AWG	american wire gauge A unit of distance used for measuring the diameter of small tubes or wires such as the outer diameter of hypotermic or suture needles.
AY	assembly A unit of count defining the number of assemblies (assembly: items that consist of component parts).
AZ	British thermal unit (international table) per pound
B1	barrel (US) per day
B10	bit per second A unit of information equal to one binary digit per second.
B11	joule per kilogram kelvin
B12	joule per metre
B13	joule per square metre Synonym: joule per metre squared
B14	joule per metre to the fourth power
B15	joule per mole
B16	joule per mole kelvin
B17	credit A unit of count defining the number of entries made to the credit side of an account.
B18	joule second

**Used Codes**

B19	digit A unit of information defining the quantity of numerals used to form a number.
B20	joule square metre per kilogram
B21	kelvin per watt
B22	kiloampere
B23	kiloampere per square metre
B24	kiloampere per metre
B25	kilobecquerel per kilogram
B26	kilocoulomb
B27	kilocoulomb per cubic metre
B28	kilocoulomb per square metre
B29	kiloelectronvolt
B3	batting pound A unit of mass defining the number of pounds of wadded fibre.
B30	gibibit A unit of information equal to $2^{30}$ bits (binary digits).
B31	kilogram metre per second
B32	kilogram metre squared
B33	kilogram metre squared per second
B34	kilogram per cubic decimetre
B35	kilogram per litre
B36	calorie (thermochemical) per gram
B37	kilogram-force
B38	kilogram-force metre
B39	kilogram-force metre per second
B4	barrel, imperial A unit of volume used to measure beer. One beer barrel equals 36 imperial gallons.
B40	kilogram-force per square metre
B41	kilojoule per kelvin
B42	kilojoule per kilogram
B43	kilojoule per kilogram kelvin
B44	kilojoule per mole
B45	kilomole

**Used Codes**

B46	kilomole per cubic metre
B47	kilonewton
B48	kilonewton metre
B49	kiloohm
B50	kiloohm metre
B51	kilopond Synonym: kilogram-force
B52	kilosecond
B53	kilosiemens
B54	kilosiemens per metre
B55	kilovolt per metre
B56	kiloweber per metre
B57	light year A unit of length defining the distance that light travels in a vacuum in one year.
B58	litre per mole
B59	lumen hour
B60	lumen per square metre
B61	lumen per watt
B62	lumen second
B63	lux hour
B64	lux second
B65	maxwell
B66	megaampere per square metre
B67	megabecquerel per kilogram
B68	gigabit A unit of information equal to 10 to the power of 9 bits (binary digits).
B69	megacoulomb per cubic metre
B7	cycle A unit of count defining the number of cycles (cycle: a recurrent period of definite duration).
B70	megacoulomb per square metre
B71	megaelectronvolt
B72	megagram per cubic metre
B73	meganewton

**Used Codes**

B74	meganewton metre
B75	megaohm
B76	megaohm metre
B77	megasiemens per metre
B78	megavolt
B79	megavolt per metre
B8	joule per cubic metre
B80	gigabit per second A unit of information equal to 10 to the power of 9 bits (binary digits) per second.
B81	reciprocal metre squared reciprocal second
B82	inch per linear foot A unit of length defining the number of inches per linear foot.
B83	metre to the fourth power
B84	microampere
B85	microbar
B86	microcoulomb
B87	microcoulomb per cubic metre
B88	microcoulomb per square metre
B89	microfarad per metre
B90	microhenry
B91	microhenry per metre
B92	micronewton
B93	micronewton metre
B94	microohm
B95	microohm metre
B96	micropascal
B97	microradian
B98	microsecond
B99	microsiemens
BAR	bar [unit of pressure]
BB	base box A unit of area of 112 sheets of tin mil products (tin plate, tin free steel or black plate) 14 by 20 inches, or 31,360 square inches.



**Used Codes**

BFT	board foot A unit of volume defining the number of cords (cord: a stack of firewood of 128 cubic feet).
BHP	brake horse power
BIL	billion (EUR) Synonym: trillion (US)
BLD	dry barrel (US)
BLL	barrel (US)
BP	hundred board foot A unit of volume equal to one hundred board foot.
BPM	beats per minute The number of beats per minute.
BQL	becquerel
BTU	British thermal unit (international table)
BUA	bushel (US)
BUI	bushel (UK)
C0	call A unit of count defining the number of calls (call: communication session or visitation).
C10	millifarad
C11	milligal
C12	milligram per metre
C13	milligray
C14	millihenry
C15	millijoule
C16	millimetre per second
C17	millimetre squared per second
C18	millimole
C19	mole per kilogram
C20	millinewton
C21	kibibit A unit of information equal to 2 to the power of 10 (1024) bits (binary digits).
C22	millinewton per metre
C23	milliohm metre
C24	millipascal second

**Used Codes**

C25	milliradian
C26	millisecond
C27	millisiemens
C28	millisievert
C29	millitesla
C3	microvolt per metre
C30	millivolt per metre
C31	milliwatt
C32	milliwatt per square metre
C33	milliweber
C34	mole
C35	mole per cubic decimetre
C36	mole per cubic metre
C37	kilobit A unit of information equal to 10 to the power of 3 (1000) bits (binary digits).
C38	mole per litre
C39	nanoampere
C40	nanocoulomb
C41	nanofarad
C42	nanofarad per metre
C43	nanohenry
C44	nanohenry per metre
C45	nanometre
C46	nanoohm metre
C47	nanosecond
C48	nanotesla
C49	nanowatt
C50	neper
C51	neper per second
C52	picometre
C53	newton metre second
C54	newton metre squared per kilogram squared
C55	newton per square metre

**Used Codes**

C56	newton per square millimetre
C57	newton second
C58	newton second per metre
C59	octave A unit used in music to describe the ratio in frequency between notes.
C60	ohm centimetre
C61	ohm metre
C62	one Synonym: unit
C63	parsec
C64	pascal per kelvin
C65	pascal second
C66	pascal second per cubic metre
C67	pascal second per metre
C68	petajoule
C69	phon A unit of subjective sound loudness. A sound has loudness $p$ phons if it seems to the listener to be equal in loudness to the sound of a pure tone of frequency 1 kilohertz and strength $p$ decibels.
C7	centipoise
C70	picoampere
C71	picocoulomb
C72	picofarad per metre
C73	picohenry
C74	kilobit per second A unit of information equal to 10 to the power of 3 (1000) bits (binary digits) per second.
C75	picowatt
C76	picowatt per square metre
C78	pound-force
C79	kilovolt ampere hour A unit of accumulated energy of 1000 volt amperes over a period of one hour.
C8	millicoulomb per kilogram
C80	rad
C81	radian

**Used Codes**

C82	radian square metre per mole
C83	radian square metre per kilogram
C84	radian per metre
C85	reciprocal angstrom
C86	reciprocal cubic metre
C87	reciprocal cubic metre per second Synonym: reciprocal second per cubic metre
C88	reciprocal electron volt per cubic metre
C89	reciprocal henry
C9	coil group A unit of count defining the number of coil groups (coil group: groups of items arranged by lengths of those items placed in a joined sequence of concentric circles).
C90	reciprocal joule per cubic metre
C91	reciprocal kelvin or kelvin to the power minus one
C92	reciprocal metre
C93	reciprocal square metre Synonym: reciprocal metre squared
C94	reciprocal minute
C95	reciprocal mole
C96	reciprocal pascal or pascal to the power minus one
C97	reciprocal second
C99	reciprocal second per metre squared
CCT	carrying capacity in metric ton A unit of mass defining the carrying capacity, expressed as the number of metric tons.
CDL	candela
CEL	degree Celsius Refer ISO 80000-5 (Quantities and units — Part 5: Thermodynamics)
CEN	hundred A unit of count defining the number of units in multiples of 100.
CG	card A unit of count defining the number of units of card (card: thick stiff paper or cardboard).
CGM	centigram
CKG	coulomb per kilogram

**Used Codes**

CLF	hundred leave A unit of count defining the number of leaves, expressed in units of one hundred leaves.
CLT	centilitre
CMK	square centimetre
CMQ	cubic centimetre
CMT	centimetre
CNP	hundred pack A unit of count defining the number of hundred-packs (hundred-pack: set of one hundred items packaged together).
CNT	cental (UK) A unit of mass equal to one hundred weight (US).
COU	coulomb
CTG	content gram A unit of mass defining the number of grams of a named item in a product.
CTM	metric carat
CTN	content ton (metric) A unit of mass defining the number of metric tons of a named item in a product.
CUR	curie
CWA	hundred pound (cwt) / hundred weight (US)
CWI	hundred weight (UK)
D03	kilowatt hour per hour A unit of accumulated energy of a thousand watts over a period of one hour.
D04	lot [unit of weight] A unit of weight equal to about 1/2 ounce or 15 grams.
D1	reciprocal second per steradian
D10	siemens per metre
D11	mebibit A unit of information equal to 2 to the power of 20 (1048576) bits (binary digits).
D12	siemens square metre per mole
D13	sievert
D15	sone A unit of subjective sound loudness. One sone is the loudness of a pure tone of frequency one kilohertz and strength 40 decibels.
D16	square centimetre per erg

**Used Codes**

D17	square centimetre per steradian erg
D18	metre kelvin
D19	square metre kelvin per watt
D2	reciprocal second per steradian metre squared
D20	square metre per joule
D21	square metre per kilogram
D22	square metre per mole
D23	per gram (protein) A unit of count defining the number of grams of amino acid prescribed for parenteral/enteral therapy.
D24	square metre per steradian
D25	square metre per steradian joule
D26	square metre per volt second
D27	steradian
D29	terahertz
D30	terajoule
D31	terawatt
D32	terawatt hour
D33	tesla
D34	tex A unit of yarn density. One decitex equals a mass of 1 gram per 1 kilometre of length.
D35	calorie (thermochemical)
D36	megabit A unit of information equal to 10 to the power of 6 (1000000) bits (binary digits).
D37	calorie (thermochemical) per gram kelvin
D38	calorie (thermochemical) per second centimetre kelvin
D39	calorie (thermochemical) per second square centimetre kelvin
D41	tonne per cubic metre
D42	tropical year
D43	unified atomic mass unit
D44	var The name of the unit is an acronym for volt-ampere-reactive.
D45	volt squared per kelvin squared

**Used Codes**

D46	volt - ampere
D47	volt per centimetre
D48	volt per kelvin
D49	millivolt per kelvin
D5	kilogram per square centimetre
D50	volt per metre
D51	volt per millimetre
D52	watt per kelvin
D53	watt per metre kelvin
D54	watt per square metre
D55	watt per square metre kelvin
D56	watt per square metre kelvin to the fourth power
D57	watt per steradian
D58	watt per steradian square metre
D59	weber per metre
D6	roentgen per second
D60	weber per millimetre
D61	minute [unit of angle]
D62	second [unit of angle]
D63	book A unit of count defining the number of books (book: set of items bound together or written document of a material whole).
D65	round A unit of count defining the number of rounds (round: A circular or cylindrical object).
D68	number of words A unit of count defining the number of words.
D69	inch to the fourth power
D70	calorie (international table)
D71	calorie (international table) per second centimetre kelvin
D72	calorie (international table) per second square centimetre kelvin
D73	joule square metre
D74	kilogram per mole
D75	calorie (international table) per gram
D76	calorie (international table) per gram kelvin

**Used Codes**

D77	megacoulomb
D78	megajoule per second A unit of accumulated energy equal to one million joules per second.
D80	microwatt
D81	microtesla
D82	microvolt
D83	millinewton metre
D85	microwatt per square metre
D86	millicoulomb
D87	millimole per kilogram
D88	millicoulomb per cubic metre
D89	millicoulomb per square metre
D9	dyne per square centimetre
D91	rem
D93	second per cubic metre
D94	second per cubic metre radian
D95	joule per gram
DAA	decare
DAD	ten day A unit of time defining the number of days in multiples of 10.
DAY	day
DB	dry pound A unit of mass defining the number of pounds of a product, disregarding the water content of the product.
DD	degree [unit of angle]
DEC	decade A unit of count defining the number of decades (decade: quantity equal to 10 or time equal to 10 years).
DG	decigram
DJ	decagram
DLT	decilitre
DMA	cubic decametre
DMK	square decimetre



**Used Codes**

DMO	standard kilolitre A unit of volume defining the number of kilolitres of a product at a temperature of 15 degrees Celsius, especially in relation to hydrocarbon oils.
DMQ	cubic decimetre
DMT	decimetre
DN	decinewton metre
DPC	dozen piece A unit of count defining the number of pieces in multiples of 12 (piece: a single item, article or exemplar).
DPR	dozen pair A unit of count defining the number of pairs in multiples of 12 (pair: item described by two's).
DPT	displacement tonnage A unit of mass defining the volume of sea water a ship displaces, expressed as the number of tons.
DRA	dram (US) Synonym: drachm (UK), troy dram
DRI	dram (UK) Synonym: avoirdupois dram
DRL	dozen roll A unit of count defining the number of rolls, expressed in twelve roll units.
DT	dry ton A unit of mass defining the number of tons of a product, disregarding the water content of the product.
DTN	decitonne Synonym: centner, metric 100 kg, quintal, metric 100 kg
DU	dyne
DWT	pennyweight
DX	dyne per centimetre
DZN	dozen A unit of count defining the number of units in multiples of 12.
DZP	dozen pack A unit of count defining the number of packs in multiples of 12 (pack: standard packaging unit).
E01	newton per square centimetre A measure of pressure expressed in newtons per square centimetre.
E07	megawatt hour per hour A unit of accumulated energy of a million watts over a period of one hour.

**Used Codes**

E08	megawatt per hertz A unit of energy expressed as the load change in million watts that will cause a frequency shift of one hertz.
E09	milliampere hour A unit of power load delivered at the rate of one thousandth of an ampere over a period of one hour.
E10	degree day A unit of measure used in meteorology and engineering to measure the demand for heating or cooling over a given period of days.
E11	gigacalorie A unit of heat energy equal to one thousand million calories.
E12	mille A unit of count defining the number of cigarettes in units of 1000.
E14	kilocalorie (international table) A unit of heat energy equal to one thousand calories.
E15	kilocalorie (thermochemical) per hour A unit of energy equal to one thousand calories per hour.
E16	million Btu(IT) per hour A unit of power equal to one million British thermal units per hour.
E17	cubic foot per second A unit of volume equal to one cubic foot passing a given point in a period of one second.
E18	tonne per hour A unit of weight or mass equal to one tonne per hour.
E19	ping A unit of area equal to 3.3 square metres.
E20	megabit per second A unit of information equal to 10 to the power of 6 (1000000) bits (binary digits) per second.
E21	shares A unit of count defining the number of shares (share: a total or portion of the parts into which a business entity's capital is divided).
E22	TEU A unit of count defining the number of twenty-foot equivalent units (TEUs) as a measure of containerized cargo capacity.
E23	tyre A unit of count defining the number of tyres (a solid or air-filled covering placed around a wheel rim to form a soft contact with the road, absorb shock and provide traction).

**Used Codes**

E25	active unit A unit of count defining the number of active units within a substance.
E27	dose A unit of count defining the number of doses (dose: a definite quantity of a medicine or drug).
E28	air dry ton A unit of mass defining the number of tons of a product, disregarding the water content of the product.
E30	strand A unit of count defining the number of strands (strand: long, thin, flexible, single thread, strip of fibre, constituent filament or multiples of the same, twisted together).
E31	square metre per litre A unit of count defining the number of square metres per litre.
E32	litre per hour A unit of count defining the number of litres per hour.
E33	foot per thousand A unit of count defining the number of feet per thousand units.
E34	gigabyte A unit of information equal to 10 to the power of 9 bytes.
E35	terabyte A unit of information equal to 10 to the power of 12 bytes.
E36	petabyte A unit of information equal to 10 to the power of 15 bytes.
E37	pixel A unit of count defining the number of pixels (pixel: picture element).
E38	megapixel A unit of count equal to 10 to the power of 6 (1000000) pixels (picture elements).
E39	dots per inch A unit of information defining the number of dots per linear inch as a measure of the resolution or sharpness of a graphic image.
E4	gross kilogram A unit of mass defining the total number of kilograms before deductions.
E40	part per hundred thousand A unit of proportion equal to 10 to the power of -5.
E41	kilogram-force per square millimetre A unit of pressure defining the number of kilograms force per square millimetre.

**Used Codes**

E42	kilogram-force per square centimetre A unit of pressure defining the number of kilograms force per square centimetre.
E43	joule per square centimetre A unit of energy defining the number of joules per square centimetre.
E44	kilogram-force metre per square centimetre A unit of torsion defining the torque kilogram-force metre per square centimetre.
E45	milliohm
E46	kilowatt hour per cubic metre A unit of energy consumption expressed as kilowatt hour per cubic metre.
E47	kilowatt hour per kelvin A unit of energy consumption expressed as kilowatt hour per kelvin.
E48	service unit A unit of count defining the number of service units (service unit: defined period / property / facility / utility of supply).
E49	working day A unit of count defining the number of working days (working day: a day on which work is ordinarily performed).
E50	accounting unit A unit of count defining the number of accounting units.
E51	job A unit of count defining the number of jobs.
E52	run foot A unit of count defining the number feet per run.
E53	test A unit of count defining the number of tests.
E54	trip A unit of count defining the number of trips.
E55	use A unit of count defining the number of times an object is used.
E56	well A unit of count defining the number of wells.
E57	zone A unit of count defining the number of zones.
E58	exabit per second A unit of information equal to 10 to the power of 18 bits (binary digits) per second.

**Used Codes**

E59	exbibyte A unit of information equal to 2 to the power of 60 bytes.
E60	pebibyte A unit of information equal to 2 to the power of 50 bytes.
E61	tebibyte A unit of information equal to 2 to the power of 40 bytes.
E62	gibibyte A unit of information equal to 2 to the power of 30 bytes.
E63	mebibyte A unit of information equal to 2 to the power of 20 bytes.
E64	kibibyte A unit of information equal to 2 to the power of 10 bytes.
E65	exbibit per metre A unit of information equal to 2 to the power of 60 bits (binary digits) per metre.
E66	exbibit per square metre A unit of information equal to 2 to the power of 60 bits (binary digits) per square metre.
E67	exbibit per cubic metre A unit of information equal to 2 to the power of 60 bits (binary digits) per cubic metre.
E68	gigabyte per second A unit of information equal to 10 to the power of 9 bytes per second.
E69	gibibit per metre A unit of information equal to 2 to the power of 30 bits (binary digits) per metre.
E70	gibibit per square metre A unit of information equal to 2 to the power of 30 bits (binary digits) per square metre.
E71	gibibit per cubic metre A unit of information equal to 2 to the power of 30 bits (binary digits) per cubic metre.
E72	kibibit per metre A unit of information equal to 2 to the power of 10 bits (binary digits) per metre.
E73	kibibit per square metre A unit of information equal to 2 to the power of 10 bits (binary digits) per square metre.

**Used Codes**

E74	kibibit per cubic metre A unit of information equal to 2 to the power of 10 bits (binary digits) per cubic metre.
E75	mebibit per metre A unit of information equal to 2 to the power of 20 bits (binary digits) per metre.
E76	mebibit per square metre A unit of information equal to 2 to the power of 20 bits (binary digits) per square metre.
E77	mebibit per cubic metre A unit of information equal to 2 to the power of 20 bits (binary digits) per cubic metre.
E78	petabit A unit of information equal to 10 to the power of 15 bits (binary digits).
E79	petabit per second A unit of information equal to 10 to the power of 15 bits (binary digits) per second.
E80	pebibit per metre A unit of information equal to 2 to the power of 50 bits (binary digits) per metre.
E81	pebibit per square metre A unit of information equal to 2 to the power of 50 bits (binary digits) per square metre.
E82	pebibit per cubic metre A unit of information equal to 2 to the power of 50 bits (binary digits) per cubic metre.
E83	terabit A unit of information equal to 10 to the power of 12 bits (binary digits).
E84	terabit per second A unit of information equal to 10 to the power of 12 bits (binary digits) per second.
E85	tebibit per metre A unit of information equal to 2 to the power of 40 bits (binary digits) per metre.
E86	tebibit per cubic metre A unit of information equal to 2 to the power of 40 bits (binary digits) per cubic metre.
E87	tebibit per square metre A unit of information equal to 2 to the power of 40 bits (binary digits) per square metre.

**Used Codes**

E88	bit per metre A unit of information equal to 1 bit (binary digit) per metre.
E89	bit per square metre A unit of information equal to 1 bit (binary digit) per square metre.
E90	reciprocal centimetre
E91	reciprocal day
E92	cubic decimetre per hour
E93	kilogram per hour
E94	kilomole per second
E95	mole per second
E96	degree per second
E97	millimetre per degree Celcius metre
E98	degree Celsius per kelvin
E99	hectopascal per bar
EA	each A unit of count defining the number of items regarded as separate units.
EB	electronic mail box A unit of count defining the number of electronic mail boxes.
EQ	equivalent gallon A unit of volume defining the number of gallons of product produced from concentrate.
F01	bit per cubic metre A unit of information equal to 1 bit (binary digit) per cubic metre.
F02	kelvin per kelvin
F03	kilopascal per bar
F04	millibar per bar
F05	megapascal per bar
F06	poise per bar
F07	pascal per bar
F08	milliampere per inch
F10	kelvin per hour
F11	kelvin per minute
F12	kelvin per second

**Used Codes**

F13	slug A unit of mass. One slug is the mass accelerated at 1 foot per second per second by a force of 1 pound.
F14	gram per kelvin
F15	kilogram per kelvin
F16	milligram per kelvin
F17	pound-force per foot
F18	kilogram square centimetre
F19	kilogram square millimetre
F20	pound inch squared
F21	pound-force inch
F22	pound-force foot per ampere
F23	gram per cubic decimetre
F24	kilogram per kilomol
F25	gram per hertz
F26	gram per day
F27	gram per hour
F28	gram per minute
F29	gram per second
F30	kilogram per day
F31	kilogram per minute
F32	milligram per day
F33	milligram per minute
F34	milligram per second
F35	gram per day kelvin
F36	gram per hour kelvin
F37	gram per minute kelvin
F38	gram per second kelvin
F39	kilogram per day kelvin
F40	kilogram per hour kelvin
F41	kilogram per minute kelvin
F42	kilogram per second kelvin
F43	milligram per day kelvin
F44	milligram per hour kelvin



**Used Codes**

F45	milligram per minute kelvin
F46	milligram per second kelvin
F47	newton per millimetre
F48	pound-force per inch
F49	rod [unit of distance] A unit of distance equal to 5.5 yards (16 feet 6 inches).
F50	micrometre per kelvin
F51	centimetre per kelvin
F52	metre per kelvin
F53	millimetre per kelvin
F54	milliohm per metre
F55	ohm per mile (statute mile)
F56	ohm per kilometre
F57	milliampere per pound-force per square inch
F58	reciprocal bar
F59	milliampere per bar
F60	degree Celsius per bar
F61	kelvin per bar
F62	gram per day bar
F63	gram per hour bar
F64	gram per minute bar
F65	gram per second bar
F66	kilogram per day bar
F67	kilogram per hour bar
F68	kilogram per minute bar
F69	kilogram per second bar
F70	milligram per day bar
F71	milligram per hour bar
F72	milligram per minute bar
F73	milligram per second bar
F74	gram per bar
F75	milligram per bar
F76	milliampere per millimetre

**Used Codes**

F77	pascal second per kelvin
F78	inch of water
F79	inch of mercury
F80	water horse power A unit of power defining the amount of power required to move a given volume of water against acceleration of gravity to a specified elevation (pressure head).
F81	bar per kelvin
F82	hectopascal per kelvin
F83	kilopascal per kelvin
F84	millibar per kelvin
F85	megapascal per kelvin
F86	poise per kelvin
F87	volt per litre minute
F88	newton centimetre
F89	newton metre per degree
F90	newton metre per ampere
F91	bar litre per second
F92	bar cubic metre per second
F93	hectopascal litre per second
F94	hectopascal cubic metre per second
F95	millibar litre per second
F96	millibar cubic metre per second
F97	megapascal litre per second
F98	megapascal cubic metre per second
F99	pascal litre per second
FAH	degree Fahrenheit Refer ISO 80000-5 (Quantities and units — Part 5: Thermodynamics)
FAR	farad
FBM	fibre metre A unit of length defining the number of metres of individual fibre.
FC	thousand cubic foot A unit of volume equal to one thousand cubic foot.
FF	hundred cubic metre A unit of volume equal to one hundred cubic metres.

**Used Codes**

FH	micromole
FIT	failures in time A unit of count defining the number of failures that can be expected over a specified time interval. Failure rates of semiconductor components are often specified as FIT (failures in time unit) where 1 FIT = 10 to the power of -9 /h.
FL	flake ton A unit of mass defining the number of tons of a flaked substance (flake: a small flattish fragment).
FOT	foot
FP	pound per square foot
FR	foot per minute
FS	foot per second
FTK	square foot
FTQ	cubic foot
G01	pascal cubic metre per second
G04	centimetre per bar
G05	metre per bar
G06	millimetre per bar
G08	square inch per second
G09	square metre per second kelvin
G10	stokes per kelvin
G11	gram per cubic centimetre bar
G12	gram per cubic decimetre bar
G13	gram per litre bar
G14	gram per cubic metre bar
G15	gram per millilitre bar
G16	kilogram per cubic centimetre bar
G17	kilogram per litre bar
G18	kilogram per cubic metre bar
G19	newton metre per kilogram
G2	US gallon per minute
G20	pound-force foot per pound
G21	cup [unit of volume]
G23	peck
G24	tablespoon (US)

**Used Codes**

G25	teaspoon (US)
G26	stere
G27	cubic centimetre per kelvin
G28	litre per kelvin
G29	cubic metre per kelvin
G3	Imperial gallon per minute
G30	millilitre per kelvin
G31	kilogram per cubic centimetre
G32	ounce (avoirdupois) per cubic yard
G33	gram per cubic centimetre kelvin
G34	gram per cubic decimetre kelvin
G35	gram per litre kelvin
G36	gram per cubic metre kelvin
G37	gram per millilitre kelvin
G38	kilogram per cubic centimetre kelvin
G39	kilogram per litre kelvin
G40	kilogram per cubic metre kelvin
G41	square metre per second bar
G42	microsiemens per centimetre
G43	microsiemens per metre
G44	nanosiemens per centimetre
G45	nanosiemens per metre
G46	stokes per bar
G47	cubic centimetre per day
G48	cubic centimetre per hour
G49	cubic centimetre per minute
G50	gallon (US) per hour
G51	litre per second
G52	cubic metre per day
G53	cubic metre per minute
G54	millilitre per day
G55	millilitre per hour
G56	cubic inch per hour

**Used Codes**

G57	cubic inch per minute
G58	cubic inch per second
G59	milliampere per litre minute
G60	volt per bar
G61	cubic centimetre per day kelvin
G62	cubic centimetre per hour kelvin
G63	cubic centimetre per minute kelvin
G64	cubic centimetre per second kelvin
G65	litre per day kelvin
G66	litre per hour kelvin
G67	litre per minute kelvin
G68	litre per second kelvin
G69	cubic metre per day kelvin
G70	cubic metre per hour kelvin
G71	cubic metre per minute kelvin
G72	cubic metre per second kelvin
G73	millilitre per day kelvin
G74	millilitre per hour kelvin
G75	millilitre per minute kelvin
G76	millilitre per second kelvin
G77	millimetre to the fourth power
G78	cubic centimetre per day bar
G79	cubic centimetre per hour bar
G80	cubic centimetre per minute bar
G81	cubic centimetre per second bar
G82	litre per day bar
G83	litre per hour bar
G84	litre per minute bar
G85	litre per second bar
G86	cubic metre per day bar
G87	cubic metre per hour bar
G88	cubic metre per minute bar
G89	cubic metre per second bar

**Used Codes**

G90	millilitre per day bar
G91	millilitre per hour bar
G92	millilitre per minute bar
G93	millilitre per second bar
G94	cubic centimetre per bar
G95	litre per bar
G96	cubic metre per bar
G97	millilitre per bar
G98	microhenry per kilohm
G99	microhenry per ohm
GB	gallon (US) per day
GBQ	gigabecquerel
GDW	gram, dry weight A unit of mass defining the number of grams of a product, disregarding the water content of the product.
GE	pound per gallon (US)
GF	gram per metre (gram per 100 centimetres)
GFI	gram of fissile isotope A unit of mass defining the number of grams of a fissile isotope (fissile isotope: an isotope whose nucleus is able to be split when irradiated with low energy neutrons).
GGR	great gross A unit of count defining the number of units in multiples of 1728 (12 x 12 x 12).
GIA	gill (US)
GIC	gram, including container A unit of mass defining the number of grams of a product, including its container.
GII	gill (UK)
GIP	gram, including inner packaging A unit of mass defining the number of grams of a product, including its inner packaging materials.
GJ	gram per millilitre
GL	gram per litre
GLD	dry gallon (US)
GLI	gallon (UK)

**Used Codes**

GLL	gallon (US)
GM	gram per square metre
GO	milligram per square metre
GP	milligram per cubic metre
GQ	microgram per cubic metre
GRM	gram
GRN	grain
GRO	gross A unit of count defining the number of units in multiples of 144 (12 x 12).
GRT	gross register ton A unit of mass equal to the total cubic footage before deductions, where 1 register ton is equal to 100 cubic feet. Refer International Convention on tonnage measurement of ships.
GT	gross ton A unit of mass equal to 2240 pounds. Refer International Convention on Tonnage measurement of Ships. Synonym: ton (UK) or long ton (US) (common code LTN)
GV	gigajoule
GWH	gigawatt hour
H03	henry per kilohm
H04	henry per ohm
H05	millihenry per kilohm
H06	millihenry per ohm
H07	pascal second per bar
H08	microbecquerel
H09	reciprocal year
H10	reciprocal hour
H11	reciprocal month
H12	degree Celsius per hour
H13	degree Celsius per minute
H14	degree Celsius per second
H15	square centimetre per gram
H16	square decametre Synonym: are
H18	square hectometre Synonym: hectare

**Used Codes**

H19	cubic hectometre
H20	cubic kilometre
H21	blank A unit of count defining the number of blanks.
H22	volt square inch per pound-force
H23	volt per inch
H24	volt per microsecond
H25	percent per kelvin A unit of proportion, equal to 0.01, in relation to the SI base unit Kelvin.
H26	ohm per metre
H27	degree per metre
H28	microfarad per kilometre
H29	microgram per litre
H30	square micrometre (square micron)
H31	ampere per kilogram
H32	ampere squared second
H33	farad per kilometre
H34	hertz metre
H35	kelvin metre per watt
H36	megaohm per kilometre
H37	megaohm per metre
H38	megaampere
H39	megahertz kilometre
H40	newton per ampere
H41	newton metre watt to the power minus 0,5
H42	pascal per metre
H43	siemens per centimetre
H44	teraohm
H45	volt second per metre
H46	volt per second
H47	watt per cubic metre
H48	attofarad
H49	centimetre per hour
H50	reciprocal cubic centimetre



**Used Codes**

H51	decibel per kilometre
H52	decibel per metre
H53	kilogram per bar
H54	kilogram per cubic decimetre kelvin
H55	kilogram per cubic decimetre bar
H56	kilogram per square metre second
H57	inch per two pi radiant
H58	metre per volt second
H59	square metre per newton
H60	cubic metre per cubic metre
H61	millisiemens per centimetre
H62	millivolt per minute
H63	milligram per square centimetre
H64	milligram per gram
H65	millilitre per cubic metre
H66	millimetre per year
H67	millimetre per hour
H68	millimole per gram
H69	picopascal per kilometre
H70	picosecond
H71	percent per month A unit of proportion, equal to 0.01, in relation to a month.
H72	percent per hectobar A unit of proportion, equal to 0.01, in relation to 100-fold of the unit bar.
H73	percent per decakelvin A unit of proportion, equal to 0.01, in relation to 10-fold of the SI base unit Kelvin.
H74	watt per metre
H75	decapascal
H76	gram per millimetre
H77	module width A unit of measure used to describe the breadth of electronic assemblies as an installation standard or mounting dimension.
H78	conventional centimetre of water

**Used Codes**

H79	Charrière A unit of distance used for measuring the diameter of small tubes such as urological instruments and catheters. Synonym: French, French gauge, Charrière gauge
H80	rack unit A unit of measure used to describe the height in rack units of equipment intended for mounting in a 19-inch rack or a 23-inch rack. One rack unit is 1.75 inches (44.45 mm) high.
H81	millimetre per minute
H82	big point A unit of length defining the number of big points (big point: Adobe software(US) defines the big point to be exactly 1/72 inch (0.013 888 9 inch or 0.352 777 8 millimeters))
H83	litre per kilogram
H84	gram millimetre
H85	reciprocal week
H87	piece A unit of count defining the number of pieces (piece: a single item, article or exemplar).
H88	megaohm kilometre
H89	percent per ohm A unit of proportion, equal to 0.01, in relation to the SI derived unit ohm.
H90	percent per degree A unit of proportion, equal to 0.01, in relation to an angle of one degree.
H91	percent per ten thousand A unit of proportion, equal to 0.01, in relation to multiples of ten thousand.
H92	percent per one hundred thousand A unit of proportion, equal to 0.01, in relation to multiples of one hundred thousand.
H93	percent per hundred A unit of proportion, equal to 0.01, in relation to multiples of one hundred.
H94	percent per thousand A unit of proportion, equal to 0.01, in relation to multiples of one thousand.
H95	percent per volt A unit of proportion, equal to 0.01, in relation to the SI derived unit volt.
H96	percent per bar A unit of proportion, equal to 0.01, in relation to an atmospheric pressure of one bar.

**Used Codes**

H98	percent per inch A unit of proportion, equal to 0.01, in relation to an inch.
H99	percent per metre A unit of proportion, equal to 0.01, in relation to a metre.
HA	hank A unit of length, typically for yarn.
HAR	hectare Synonym: square hectometre
HBA	hectobar
HBX	hundred boxes A unit of count defining the number of boxes in multiples of one hundred box units.
HC	hundred count A unit of count defining the number of units counted in multiples of 100.
HDW	hundred kilogram, dry weight A unit of mass defining the number of hundred kilograms of a product, disregarding the water content of the product.
HEA	head A unit of count defining the number of heads (head: a person or animal considered as one of a number).
HGM	hectogram
HH	hundred cubic foot A unit of volume equal to one hundred cubic foot.
HIU	hundred international unit A unit of count defining the number of international units in multiples of 100.
HJ	metric horse power
HKM	hundred kilogram, net mass A unit of mass defining the number of hundred kilograms of a product, after deductions.
HLT	hectolitre
HM	mile per hour (statute mile)
HMQ	million cubic metre A unit of volume equal to one million cubic metres.
HMT	hectometre
HN	conventional millimetre of mercury
HP	conventional millimetre of water

**Used Codes**

HPA	hectolitre of pure alcohol A unit of volume equal to one hundred litres of pure alcohol.
HTZ	hertz
HUR	hour
IA	inch pound (pound inch)
IE	person A unit of count defining the number of persons.
INH	inch
INK	square inch
INQ	cubic inch Synonym: inch cubed
ISD	international sugar degree A unit of measure defining the sugar content of a solution, expressed in degrees.
IU	inch per second
IV	inch per second squared
J10	percent per millimetre A unit of proportion, equal to 0.01, in relation to a millimetre.
J12	per mille per psi A unit of pressure equal to one thousandth of a psi (pound-force per square inch).
J13	degree API A unit of relative density as a measure of how heavy or light a petroleum liquid is compared to water (API: American Petroleum Institute).
J14	degree Baume (origin scale) A traditional unit of relative density for liquids. Named after Antoine Baumé.
J15	degree Baume (US heavy) A unit of relative density for liquids heavier than water.
J16	degree Baume (US light) A unit of relative density for liquids lighter than water.
J17	degree Balling A unit of density as a measure of sugar content, especially of beer wort. Named after Karl Balling.
J18	degree Brix A unit of proportion used in measuring the dissolved sugar-to-water mass ratio of a liquid. Named after Adolf Brix.
J19	degree Fahrenheit hour square foot per British thermal unit (thermochemical)

**Used Codes**

J2	joule per kilogram
J20	degree Fahrenheit per kelvin
J21	degree Fahrenheit per bar
J22	degree Fahrenheit hour square foot per British thermal unit (international table)
J23	degree Fahrenheit per hour
J24	degree Fahrenheit per minute
J25	degree Fahrenheit per second
J26	reciprocal degree Fahrenheit
J27	degree Oechsle A unit of density as a measure of sugar content of must, the unfermented liqueur from which wine is made. Named after Ferdinand Oechsle.
J28	degree Rankine per hour
J29	degree Rankine per minute
J30	degree Rankine per second
J31	degree Twaddell A unit of density for liquids that are heavier than water. 1 degree Twaddle represents a difference in specific gravity of 0.005.
J32	micropoise
J33	microgram per kilogram
J34	microgram per cubic metre kelvin
J35	microgram per cubic metre bar
J36	microlitre per litre
J38	baud A unit of signal transmission speed equal to one signalling event per second.
J39	British thermal unit (mean)
J40	British thermal unit (international table) foot per hour square foot degree Fahrenheit
J41	British thermal unit (international table) inch per hour square foot degree Fahrenheit
J42	British thermal unit (international table) inch per second square foot degree Fahrenheit
J43	British thermal unit (international table) per pound degree Fahrenheit
J44	British thermal unit (international table) per minute
J45	British thermal unit (international table) per second

**Used Codes**

J46	British thermal unit (thermochemical) foot per hour square foot degree Fahrenheit
J47	British thermal unit (thermochemical) per hour
J48	British thermal unit (thermochemical) inch per hour square foot degree Fahrenheit
J49	British thermal unit (thermochemical) inch per second square foot degree Fahrenheit
J50	British thermal unit (thermochemical) per pound degree Fahrenheit
J51	British thermal unit (thermochemical) per minute
J52	British thermal unit (thermochemical) per second
J53	coulomb square metre per kilogram
J54	megabaud A unit of signal transmission speed equal to 10 to the power of 6 (1000000) signaling events per second.
J55	watt second
J56	bar per bar
J57	barrel (UK petroleum)
J58	barrel (UK petroleum) per minute
J59	barrel (UK petroleum) per day
J60	barrel (UK petroleum) per hour
J61	barrel (UK petroleum) per second
J62	barrel (US petroleum) per hour
J63	barrel (US petroleum) per second
J64	bushel (UK) per day
J65	bushel (UK) per hour
J66	bushel (UK) per minute
J67	bushel (UK) per second
J68	bushel (US dry) per day
J69	bushel (US dry) per hour
J70	bushel (US dry) per minute
J71	bushel (US dry) per second
J72	centinewton metre
J73	centipoise per kelvin
J74	centipoise per bar
J75	calorie (mean)

**Used Codes**

J76	calorie (international table) per gram degree Celsius
J78	calorie (thermochemical) per centimetre second degree Celsius
J79	calorie (thermochemical) per gram degree Celsius
J81	calorie (thermochemical) per minute
J82	calorie (thermochemical) per second
J83	clo
J84	centimetre per second kelvin
J85	centimetre per second bar
J87	cubic centimetre per cubic metre
J89	centimetre of mercury
J90	cubic decimetre per day
J91	cubic decimetre per cubic metre
J92	cubic decimetre per minute
J93	cubic decimetre per second
J94	dyne centimetre
J95	ounce (UK fluid) per day
J96	ounce (UK fluid) per hour
J97	ounce (UK fluid) per minute
J98	ounce (UK fluid) per second
J99	ounce (US fluid) per day
JE	joule per kelvin
JK	megajoule per kilogram
JM	megajoule per cubic metre
JNT	pipeline joint A count of the number of pipeline joints.
JOU	joule
JPS	hundred metre A unit of count defining the number of 100 metre lengths.
JWL	number of jewels A unit of count defining the number of jewels (jewel: precious stone).
K1	kilowatt demand A unit of measure defining the power load measured at predetermined intervals.
K10	ounce (US fluid) per hour

**Used Codes**

K11	ounce (US fluid) per minute
K12	ounce (US fluid) per second
K13	foot per degree Fahrenheit
K14	foot per hour
K15	foot pound-force per hour
K16	foot pound-force per minute
K17	foot per psi
K18	foot per second degree Fahrenheit
K19	foot per second psi
K2	kilovolt ampere reactive demand A unit of measure defining the reactive power demand equal to one kilovolt ampere of reactive power.
K20	reciprocal cubic foot
K21	cubic foot per degree Fahrenheit
K22	cubic foot per day
K23	cubic foot per psi
K24	foot of water
K25	foot of mercury
K26	gallon (UK) per day
K27	gallon (UK) per hour
K28	gallon (UK) per second
K3	kilovolt ampere reactive hour A unit of measure defining the accumulated reactive energy equal to one kilovolt ampere of reactive power per hour.
K30	gallon (US liquid) per second
K31	gram-force per square centimetre
K32	gill (UK) per day
K33	gill (UK) per hour
K34	gill (UK) per minute
K35	gill (UK) per second
K36	gill (US) per day
K37	gill (US) per hour
K38	gill (US) per minute
K39	gill (US) per second



**Used Codes**

K40	standard acceleration of free fall
K41	grain per gallon (US)
K42	horsepower (boiler)
K43	horsepower (electric)
K45	inch per degree Fahrenheit
K46	inch per psi
K47	inch per second degree Fahrenheit
K48	inch per second psi
K49	reciprocal cubic inch
K5	kilovolt ampere (reactive) Use kilovar (common code KVR)
K50	kilobaud A unit of signal transmission speed equal to 10 to the power of 3 (1000) signaling events per second.
K51	kilocalorie (mean)
K52	kilocalorie (international table) per hour metre degree Celsius
K53	kilocalorie (thermochemical)
K54	kilocalorie (thermochemical) per minute
K55	kilocalorie (thermochemical) per second
K58	kilomole per hour
K59	kilomole per cubic metre kelvin
K6	kilolitre
K60	kilomole per cubic metre bar
K61	kilomole per minute
K62	litre per litre
K63	reciprocal litre
K64	pound (avoirdupois) per degree Fahrenheit
K65	pound (avoirdupois) square foot
K66	pound (avoirdupois) per day
K67	pound per foot hour
K68	pound per foot second
K69	pound (avoirdupois) per cubic foot degree Fahrenheit
K70	pound (avoirdupois) per cubic foot psi
K71	pound (avoirdupois) per gallon (UK)

**Used Codes**

K73	pound (avoirdupois) per hour degree Fahrenheit
K74	pound (avoirdupois) per hour psi
K75	pound (avoirdupois) per cubic inch degree Fahrenheit
K76	pound (avoirdupois) per cubic inch psi
K77	pound (avoirdupois) per psi
K78	pound (avoirdupois) per minute
K79	pound (avoirdupois) per minute degree Fahrenheit
K80	pound (avoirdupois) per minute psi
K81	pound (avoirdupois) per second
K82	pound (avoirdupois) per second degree Fahrenheit
K83	pound (avoirdupois) per second psi
K84	pound per cubic yard
K85	pound-force per square foot
K86	pound-force per square inch degree Fahrenheit
K87	psi cubic inch per second
K88	psi litre per second
K89	psi cubic metre per second
K90	psi cubic yard per second
K91	pound-force second per square foot
K92	pound-force second per square inch
K93	reciprocal psi
K94	quart (UK liquid) per day
K95	quart (UK liquid) per hour
K96	quart (UK liquid) per minute
K97	quart (UK liquid) per second
K98	quart (US liquid) per day
K99	quart (US liquid) per hour
KA	cake A unit of count defining the number of cakes (cake: object shaped into a flat, compact mass).
KAT	katal A unit of catalytic activity defining the catalytic activity of enzymes and other catalysts.
KB	kilocharacter A unit of information equal to 10 to the power of 3 (1000) characters.

**Used Codes**

KBA	kilobar
KCC	kilogram of choline chloride A unit of mass equal to one thousand grams of choline chloride.
KDW	kilogram drained net weight A unit of mass defining the net number of kilograms of a product, disregarding the liquid content of the product.
KEL	kelvin Refer ISO 80000-5 (Quantities and units — Part 5: Thermodynamics)
KGM	kilogram A unit of mass equal to one thousand grams.
KGS	kilogram per second
KHY	kilogram of hydrogen peroxide A unit of mass equal to one thousand grams of hydrogen peroxide.
KHZ	kilohertz
KI	kilogram per millimetre width
KIC	kilogram, including container A unit of mass defining the number of kilograms of a product, including its container.
KIP	kilogram, including inner packaging A unit of mass defining the number of kilograms of a product, including its inner packaging materials.
KJ	kilosegment A unit of information equal to 10 to the power of 3 (1000) segments.
KJO	kilojoule
KL	kilogram per metre
KLK	lactic dry material percentage A unit of proportion defining the percentage of dry lactic material in a product.
KLX	kilolux A unit of illuminance equal to one thousand lux.
KMA	kilogram of methylamine A unit of mass equal to one thousand grams of methylamine.
KMH	kilometre per hour
KMK	square kilometre
KMQ	kilogram per cubic metre A unit of weight expressed in kilograms of a substance that fills a volume of one cubic metre.
KMT	kilometre

**Used Codes**

KNI	kilogram of nitrogen A unit of mass equal to one thousand grams of nitrogen.
KNM	kilonewton per square metre Pressure expressed in kN/m <sup>2</sup> .
KNS	kilogram named substance A unit of mass equal to one kilogram of a named substance.
KNT	knot
KO	milliequivalence caustic potash per gram of product A unit of count defining the number of milligrams of potassium hydroxide per gram of product as a measure of the concentration of potassium hydroxide in the product.
KPA	kilopascal
KPH	kilogram of potassium hydroxide (caustic potash) A unit of mass equal to one thousand grams of potassium hydroxide (caustic potash).
KPO	kilogram of potassium oxide A unit of mass equal to one thousand grams of potassium oxide.
KPP	kilogram of phosphorus pentoxide (phosphoric anhydride) A unit of mass equal to one thousand grams of phosphorus pentoxide phosphoric anhydride.
KR	kiloroentgen
KSD	kilogram of substance 90 % dry A unit of mass equal to one thousand grams of a named substance that is 90% dry.
KSH	kilogram of sodium hydroxide (caustic soda) A unit of mass equal to one thousand grams of sodium hydroxide (caustic soda).
KT	kit A unit of count defining the number of kits (kit: tub, barrel or pail).
KTN	kilotonne
KUR	kilogram of uranium A unit of mass equal to one thousand grams of uranium.
KVA	kilovolt - ampere
KVR	kilovar
KVT	kilovolt
KW	kilogram per millimetre
KWH	kilowatt hour

**Used Codes**

KWN	Kilowatt hour per normalized cubic metre Kilowatt hour per normalized cubic metre (temperature 0°C and pressure 101325 millibars ).
KWO	kilogram of tungsten trioxide A unit of mass equal to one thousand grams of tungsten trioxide.
KWS	Kilowatt hour per standard cubic metre Kilowatt hour per standard cubic metre (temperature 15°C and pressure 101325 millibars).
KWT	kilowatt
KX	millilitre per kilogram
L10	quart (US liquid) per minute
L11	quart (US liquid) per second
L12	metre per second kelvin
L13	metre per second bar
L14	square metre hour degree Celsius per kilocalorie (international table)
L15	millipascal second per kelvin
L16	millipascal second per bar
L17	milligram per cubic metre kelvin
L18	milligram per cubic metre bar
L19	millilitre per litre
L2	litre per minute
L20	reciprocal cubic millimetre
L21	cubic millimetre per cubic metre
L23	mole per hour
L24	mole per kilogram kelvin
L25	mole per kilogram bar
L26	mole per litre kelvin
L27	mole per litre bar
L28	mole per cubic metre kelvin
L29	mole per cubic metre bar
L30	mole per minute
L31	milliroentgen aequivalent men
L32	nanogram per kilogram
L33	ounce (avoirdupois) per day
L34	ounce (avoirdupois) per hour

**Used Codes**

---

L35	ounce (avoirdupois) per minute
L36	ounce (avoirdupois) per second
L37	ounce (avoirdupois) per gallon (UK)
L38	ounce (avoirdupois) per gallon (US)
L39	ounce (avoirdupois) per cubic inch
L40	ounce (avoirdupois)-force
L41	ounce (avoirdupois)-force inch
L42	pico Siemens per metre
L43	peck (UK)
L44	peck (UK) per day
L45	peck (UK) per hour
L46	peck (UK) per minute
L47	peck (UK) per second
L48	peck (US dry) per day
L49	peck (US dry) per hour
L50	peck (US dry) per minute
L51	peck (US dry) per second
L52	psi per psi
L53	pint (UK) per day
L54	pint (UK) per hour
L55	pint (UK) per minute
L56	pint (UK) per second
L57	pint (US liquid) per day
L58	pint (US liquid) per hour
L59	pint (US liquid) per minute
L60	pint (US liquid) per second
L63	slug per day
L64	slug per foot second
L65	slug per cubic foot
L66	slug per hour
L67	slug per minute
L68	slug per second
L69	tonne per kelvin

**Used Codes**

L70	tonne per bar
L71	tonne per day
L72	tonne per day kelvin
L73	tonne per day bar
L74	tonne per hour kelvin
L75	tonne per hour bar
L76	tonne per cubic metre kelvin
L77	tonne per cubic metre bar
L78	tonne per minute
L79	tonne per minute kelvin
L80	tonne per minute bar
L81	tonne per second
L82	tonne per second kelvin
L83	tonne per second bar
L84	ton (UK shipping)
L85	ton long per day
L86	ton (US shipping)
L87	ton short per degree Fahrenheit
L88	ton short per day
L89	ton short per hour degree Fahrenheit
L90	ton short per hour psi
L91	ton short per psi
L92	ton (UK long) per cubic yard
L93	ton (US short) per cubic yard
L94	ton-force (US short)
L95	common year
L96	sidereal year
L98	yard per degree Fahrenheit
L99	yard per psi
LA	pound per cubic inch
LAC	lactose excess percentage A unit of proportion defining the percentage of lactose in a product that exceeds a defined percentage level.
LBR	pound

**Used Codes**

LBT	troy pound (US)
LD	litre per day
LEF	leaf A unit of count defining the number of leaves.
LF	linear foot A unit of count defining the number of feet (12-inch) in length of a uniform width object.
LH	labour hour A unit of time defining the number of labour hours.
LK	link A unit of distance equal to 0.01 chain.
LM	linear metre A unit of count defining the number of metres in length of a uniform width object.
LN	length A unit of distance defining the linear extent of an item measured from end to end.
LO	lot [unit of procurement] A unit of count defining the number of lots (lot: a collection of associated items).
LP	liquid pound A unit of mass defining the number of pounds of a liquid substance.
LPA	litre of pure alcohol A unit of volume equal to one litre of pure alcohol.
LR	layer A unit of count defining the number of layers.
LS	lump sum A unit of count defining the number of whole or a complete monetary amounts.
LTN	ton (UK) or long ton (US) Synonym: gross ton (2240 lb)
LTR	litre
LUB	metric ton, lubricating oil A unit of mass defining the number of metric tons of lubricating oil.
LUM	lumen
LUX	lux
LY	linear yard A unit of count defining the number of 36-inch units in length of a uniform width object.



**Used Codes**

M1	milligram per litre
M10	reciprocal cubic yard
M11	cubic yard per degree Fahrenheit
M12	cubic yard per day
M13	cubic yard per hour
M14	cubic yard per psi
M15	cubic yard per minute
M16	cubic yard per second
M17	kilohertz metre
M18	gigahertz metre
M19	Beaufort An empirical measure for describing wind speed based mainly on observed sea conditions. The Beaufort scale indicates the wind speed by numbers that typically range from 0 for calm, to 12 for hurricane.
M20	reciprocal megakelvin or megakelvin to the power minus one
M21	reciprocal kilovolt - ampere reciprocal hour
M22	millilitre per square centimetre minute
M23	newton per centimetre
M24	ohm kilometre
M25	percent per degree Celsius A unit of proportion, equal to 0.01, in relation to a temperature of one degree.
M26	gigaohm per metre
M27	megahertz metre
M29	kilogram per kilogram
M30	reciprocal volt - ampere reciprocal second
M31	kilogram per kilometre
M32	pascal second per litre
M33	millimole per litre
M34	newton metre per square metre
M35	millivolt - ampere
M36	30-day month A unit of count defining the number of months expressed in multiples of 30 days, one day equals 24 hours.

**Used Codes**

M37	actual/360 A unit of count defining the number of years expressed in multiples of 360 days, one day equals 24 hours.
M38	kilometre per second squared 1000-fold of the SI base unit metre divided by the power of the SI base unit second by exponent 2.
M39	centimetre per second squared 0,01-fold of the SI base unit metre divided by the power of the SI base unit second by exponent 2.
M4	monetary value A unit of measure expressed as a monetary amount.
M40	yard per second squared Unit of the length according to the Anglo-American and Imperial system of units divided by the power of the SI base unit second by exponent 2.
M41	millimetre per second squared 0,001-fold of the SI base unit metre divided by the power of the SI base unit second by exponent 2.
M42	mile (statute mile) per second squared Unit of the length according to the Imperial system of units divided by the power of the SI base unit second by exponent 2.
M43	mil Unit to indicate an angle at military zone, equal to the 6400th part of the full circle of the 360° or 2·p·rad.
M44	revolution Unit to identify an angle of the full circle of 360° or 2·p·rad (Refer ISO/TC12 SI Guide).
M45	degree [unit of angle] per second squared 360 part of a full circle divided by the power of the SI base unit second and the exponent 2.
M46	revolution per minute Unit of the angular velocity.
M47	circular mil Unit of an area, of which the size is given by a diameter of length of 1 mm (0,001 in) based on the formula: $area = p \cdot (diameter/2)^2$ .
M48	square mile (based on U.S. survey foot) Unit of the area, which is mainly common in the agriculture and forestry.
M49	chain (based on U.S. survey foot) Unit of the length according the Anglo-American system of units.
M5	microcurie

**Used Codes**

M50	furlong Unit commonly used in Great Britain at rural distances: 1 furlong = 40 rods = 10 chains (UK) = 1/8 mile = 1/10 furlong = 220 yards = 660 foot.
M51	foot (U.S. survey) Unit commonly used in the United States for ordnance survey.
M52	mile (based on U.S. survey foot) Unit commonly used in the United States for ordnance survey.
M53	metre per pascal SI base unit metre divided by the derived SI unit pascal.
M55	metre per radiant Unit of the translation factor for implementation from rotation to linear movement.
M56	shake Unit for a very short period.
M57	mile per minute Unit of velocity from the Imperial system of units.
M58	mile per second Unit of the velocity from the Imperial system of units.
M59	metre per second pascal SI base unit meter divided by the product of SI base unit second and the derived SI unit pascal.
M60	metre per hour SI base unit metre divided by the unit hour.
M61	inch per year Unit of the length according to the Anglo-American and Imperial system of units divided by the unit common year with 365 days.
M62	kilometre per second 1000-fold of the SI base unit metre divided by the SI base unit second.
M63	inch per minute Unit inch according to the Anglo-American and Imperial system of units divided by the unit minute.
M64	yard per second Unit yard according to the Anglo-American and Imperial system of units divided by the SI base unit second.
M65	yard per minute Unit yard according to the Anglo-American and Imperial system of units divided by the unit minute.

**Used Codes**

M66	yard per hour Unit yard according to the Anglo-American and Imperial system of units divided by the unit hour.
M67	acre-foot (based on U.S. survey foot) Unit of the volume, which is used in the United States to measure/gauge the capacity of reservoirs.
M68	cord (128 ft <sup>3</sup> ) Traditional unit of the volume of stacked firewood which has been measured with a cord.
M69	cubic mile (UK statute) Unit of volume according to the Imperial system of units.
M7	micro-inch
M70	ton, register Traditional unit of the cargo capacity.
M71	cubic metre per pascal Power of the SI base unit meter by exponent 3 divided by the derived SI base unit pascal.
M72	bel Logarithmic relationship to base 10.
M73	kilogram per cubic metre pascal SI base unit kilogram divided by the product of the power of the SI base unit metre with exponent 3 and the derived SI unit pascal.
M74	kilogram per pascal SI base unit kilogram divided by the derived SI unit pascal.
M75	kilopound-force 1000-fold of the unit of the force pound-force (lbf) according to the Anglo-American system of units with the relationship.
M76	poundal Non SI-conforming unit of the power, which corresponds to a mass of a pound multiplied with the acceleration of a foot per square second.
M77	kilogram metre per second squared Product of the SI base unit kilogram and the SI base unit metre divided by the power of the SI base unit second by exponent 2.
M78	pond 0,001-fold of the unit of the weight, defined as a mass of 1 kg which finds out about a weight strength from 1 kp by the gravitational force at sea level which corresponds to a strength of 9,806 65 newton.
M79	square foot per hour Power of the unit foot according to the Anglo-American and Imperial system of units by exponent 2 divided by the unit of time hour.

**Used Codes**

M80	<p>stokes per pascal</p> <p>CGS (Centimetre-Gram-Second system) unit stokes divided by the derived SI unit pascal.</p>
M81	<p>square centimetre per second</p> <p>0,000 1-fold of the power of the SI base unit metre by exponent 2 divided by the SI base unit second.</p>
M82	<p>square metre per second pascal</p> <p>Power of the SI base unit metre with the exponent 2 divided by the SI base unit second and the derived SI unit pascal.</p>
M83	<p>denier</p> <p>Traditional unit for the indication of the linear mass of textile fibers and yarns.</p>
M84	<p>pound per yard</p> <p>Unit for linear mass according to avoirdupois system of units.</p>
M85	<p>ton, assay</p> <p>Non SI-conforming unit of the mass used in the mineralogy to determine the concentration of precious metals in ore according to the mass of the precious metal in milligrams in a sample of the mass of an assay sound (number of troy ounces in a short ton (1 000 lb)).</p>
M86	<p>pfund</p> <p>Outdated unit of the mass used in Germany.</p>
M87	<p>kilogram per second pascal</p> <p>SI base unit kilogram divided by the product of the SI base unit second and the derived SI unit pascal.</p>
M88	<p>tonne per month</p> <p>Unit tonne divided by the unit month.</p>
M89	<p>tonne per year</p> <p>Unit tonne divided by the unit year with 365 days.</p>
M9	<p>million Btu per 1000 cubic foot</p>
M90	<p>kilopound per hour</p> <p>1000-fold of the unit of the mass avoirdupois pound according to the avoirdupois unit system divided by the unit hour.</p>
M91	<p>pound per pound</p> <p>Proportion of the mass consisting of the avoirdupois pound according to the avoirdupois unit system divided by the avoirdupois pound according to the avoirdupois unit system.</p>
M92	<p>pound-force foot</p> <p>Product of the unit pound-force according to the Anglo-American system of units and the unit foot according to the Anglo-American and the Imperial system of units.</p>

**Used Codes**

M93	newton metre per radian Product of the derived SI unit newton and the SI base unit metre divided by the unit radian.
M94	kilogram metre Unit of imbalance as a product of the SI base unit kilogram and the SI base unit metre.
M95	poundal foot Product of the non SI-conforming unit of the force poundal and the unit foot according to the Anglo-American and Imperial system of units .
M96	poundal inch Product of the non SI-conforming unit of the force poundal and the unit inch according to the Anglo-American and Imperial system of units .
M97	dyne metre CGS (Centimetre-Gram-Second system) unit of the rotational moment.
M98	kilogram centimetre per second Product of the SI base unit kilogram and the 0,01-fold of the SI base unit metre divided by the SI base unit second.
M99	gram centimetre per second Product of the 0,001-fold of the SI base unit kilogram and the 0,01-fold of the SI base unit metre divided by the SI base unit second.
MAH	megavolt ampere reactive hour A unit of electrical reactive power defining the total amount of reactive power across a power system.
MAL	megalitre
MAM	megametre
MAR	megavar A unit of electrical reactive power represented by a current of one thousand amperes flowing due a potential difference of one thousand volts where the sine of the phase angle between them is 1.
MAW	megawatt A unit of power defining the rate of energy transferred or consumed when a current of 1000 amperes flows due to a potential of 1000 volts at unity power factor.
MBE	thousand standard brick equivalent A unit of count defining the number of one thousand brick equivalent units.
MBF	thousand board foot A unit of volume equal to one thousand board foot.
MBR	millibar
MC	microgram
MCU	millicurie

**Used Codes**

MD	air dry metric ton A unit of count defining the number of metric tons of a product, disregarding the water content of the product.
MGM	milligram
MHZ	megahertz
MIK	square mile (statute mile)
MIL	thousand
MIN	minute [unit of time]
MIO	million
MIU	million international unit A unit of count defining the number of international units in multiples of 10 to the power of 6.
MLD	milliard Synonym: billion (US)
MLT	millilitre
MMK	square millimetre
MMQ	cubic millimetre
MMT	millimetre
MND	kilogram, dry weight A unit of mass defining the number of kilograms of a product, disregarding the water content of the product.
MON	month Unit of time equal to 1/12 of a year of 365,25 days.
MPA	megapascal
MQH	cubic metre per hour
MQS	cubic metre per second
MSK	metre per second squared
MTK	square metre
MTQ	cubic metre Synonym: metre cubed
MTR	metre
MTS	metre per second
MVA	megavolt - ampere
MWH	megawatt hour (1000 kW.h) A unit of power defining the total amount of bulk energy transferred or consumed.

**Used Codes**

N1	pen calorie A unit of count defining the number of calories prescribed daily for parenteral/enteral therapy.
N10	pound foot per second Product of the avoirdupois pound according to the avoirdupois unit system and the unit foot according to the Anglo-American and Imperial system of units divided by the SI base unit second.
N11	pound inch per second Product of the avoirdupois pound according to the avoirdupois unit system and the unit inch according to the Anglo-American and Imperial system of units divided by the SI base unit second.
N12	Pferdestaerke Obsolete unit of the power relating to DIN 1301-3:1979: 1 PS = 735,498 75 W.
N13	centimetre of mercury (0 °C) Non SI-conforming unit of pressure, at which a value of 1 cmHg meets the static pressure, which is generated by a mercury at a temperature of 0 °C with a height of 1 centimetre .
N14	centimetre of water (4 °C) Non SI-conforming unit of pressure, at which a value of 1 cmH <sub>2</sub> O meets the static pressure, which is generated by a head of water at a temperature of 4 °C with a height of 1 centimetre .
N15	foot of water (39.2 °F) Non SI-conforming unit of pressure according to the Anglo-American and Imperial system for units, whereas the value of 1 ftH <sub>2</sub> O is equivalent to the static pressure, which is generated by a head of water at a temperature 39,2°F with a height of 1 foot .
N16	inch of mercury (32 °F) Non SI-conforming unit of pressure according to the Anglo-American and Imperial system for units, whereas the value of 1 inHg meets the static pressure, which is generated by a mercury at a temperature of 32°F with a height of 1 inch.
N17	inch of mercury (60 °F) Non SI-conforming unit of pressure according to the Anglo-American and Imperial system for units, whereas the value of 1 inHg meets the static pressure, which is generated by a mercury at a temperature of 60°F with a height of 1 inch.
N18	inch of water (39.2 °F) Non SI-conforming unit of pressure according to the Anglo-American and Imperial system for units, whereas the value of 1 inH <sub>2</sub> O meets the static pressure, which is generated by a head of water at a temperature of 39,2°F with a height of 1 inch .



**Used Codes**

N19	inch of water (60 °F) Non SI-conforming unit of pressure according to the Anglo-American and Imperial system for units, whereas the value of 1 inH <sub>2</sub> O meets the static pressure, which is generated by a head of water at a temperature of 60°F with a height of 1 inch .
N20	kip per square inch Non SI-conforming unit of the pressure according to the Anglo-American system of units as the 1000-fold of the unit of the force pound-force divided by the power of the unit inch by exponent 2.
N21	poundal per square foot Non SI-conforming unit of pressure by the Imperial system of units according to NIST: 1 pdl/ft <sup>2</sup> = 1,488 164 Pa.
N22	ounce (avoirdupois) per square inch Unit of the surface specific mass (avoirdupois ounce according to the avoirdupois system of units according to the surface square inch according to the Anglo-American and Imperial system of units).
N23	conventional metre of water Not SI-conforming unit of pressure, whereas a value of 1 mH <sub>2</sub> O is equivalent to the static pressure, which is produced by one metre high water column .
N24	gram per square millimetre 0,001-fold of the SI base unit kilogram divided by the 0.000 001-fold of the power of the SI base unit meter by exponent 2.
N25	pound per square yard Unit for areal-related mass as a unit pound according to the avoirdupois unit system divided by the power of the unit yard according to the Anglo-American and Imperial system of units with exponent 2.
N26	poundal per square inch Non SI-conforming unit of the pressure according to the Imperial system of units (poundal by square inch).
N27	foot to the fourth power Power of the unit foot according to the Anglo-American and Imperial system of units by exponent 4 according to NIST: 1 ft <sup>4</sup> = 8,630 975 m <sup>4</sup> .
N28	cubic decimetre per kilogram 0,001 fold of the power of the SI base unit meter by exponent 3 divided by the SI based unit kilogram.
N29	cubic foot per pound Power of the unit foot according to the Anglo-American and Imperial system of units by exponent 3 divided by the unit avoirdupois pound according to the avoirdupois unit system.
N3	print point

**Used Codes**

N30	cubic inch per pound Power of the unit inch according to the Anglo-American and Imperial system of units by exponent 3 divided by the avoirdupois pound according to the avoirdupois unit system .
N31	kilonewton per metre 1000-fold of the derived SI unit newton divided by the SI base unit metre.
N32	poundal per inch Non SI-conforming unit of the surface tension according to the Imperial unit system as quotient poundal by inch.
N33	pound-force per yard Unit of force per unit length based on the Anglo-American system of units.
N34	poundal second per square foot Non SI-conforming unit of viscosity.
N35	poise per pascal CGS (Centimetre-Gram-Second system) unit poise divided by the derived SI unit pascal.
N36	newton second per square metre Unit of the dynamic viscosity as a product of unit of the pressure (newton by square metre) multiplied with the SI base unit second.
N37	kilogram per metre second Unit of the dynamic viscosity as a quotient SI base unit kilogram divided by the SI base unit metre and by the SI base unit second.
N38	kilogram per metre minute Unit of the dynamic viscosity as a quotient SI base unit kilogram divided by the SI base unit metre and by the unit minute.
N39	kilogram per metre day Unit of the dynamic viscosity as a quotient SI base unit kilogram divided by the SI base unit metre and by the unit day.
N40	kilogram per metre hour Unit of the dynamic viscosity as a quotient SI base unit kilogram divided by the SI base unit metre and by the unit hour.
N41	gram per centimetre second Unit of the dynamic viscosity as a quotient of the 0,001-fold of the SI base unit kilogram divided by the 0,01-fold of the SI base unit metre and SI base unit second.
N42	poundal second per square inch Non SI-conforming unit of dynamic viscosity according to the Imperial system of units as product unit of the pressure (poundal by square inch) multiplied by the SI base unit second.
N43	pound per foot minute Unit of the dynamic viscosity according to the Anglo-American unit system.

**Used Codes**

N44	pound per foot day Unit of the dynamic viscosity according to the Anglo-American unit system.
N45	cubic metre per second pascal Power of the SI base unit meter by exponent 3 divided by the product of the SI base unit second and the derived SI base unit pascal.
N46	foot poundal Unit of the work (force-path).
N47	inch poundal Unit of work (force multiplied by path) according to the Imperial system of units as a product unit inch multiplied by poundal.
N48	watt per square centimetre Derived SI unit watt divided by the power of the 0,01-fold the SI base unit metre by exponent 2.
N49	watt per square inch Derived SI unit watt divided by the power of the unit inch according to the Anglo-American and Imperial system of units by exponent 2.
N50	British thermal unit (international table) per square foot hour Unit of the surface heat flux according to the Imperial system of units.
N51	British thermal unit (thermochemical) per square foot hour Unit of the surface heat flux according to the Imperial system of units.
N52	British thermal unit (thermochemical) per square foot minute Unit of the surface heat flux according to the Imperial system of units.
N53	British thermal unit (international table) per square foot second Unit of the surface heat flux according to the Imperial system of units.
N54	British thermal unit (thermochemical) per square foot second Unit of the surface heat flux according to the Imperial system of units.
N55	British thermal unit (international table) per square inch second Unit of the surface heat flux according to the Imperial system of units.
N56	calorie (thermochemical) per square centimetre minute Unit of the surface heat flux according to the Imperial system of units.
N57	calorie (thermochemical) per square centimetre second Unit of the surface heat flux according to the Imperial system of units.
N58	British thermal unit (international table) per cubic foot Unit of the energy density according to the Imperial system of units.
N59	British thermal unit (thermochemical) per cubic foot Unit of the energy density according to the Imperial system of units.
N60	British thermal unit (international table) per degree Fahrenheit Unit of the heat capacity according to the Imperial system of units.

**Used Codes**

N61	British thermal unit (thermochemical) per degree Fahrenheit Unit of the heat capacity according to the Imperial system of units.
N62	British thermal unit (international table) per degree Rankine Unit of the heat capacity according to the Imperial system of units.
N63	British thermal unit (thermochemical) per degree Rankine Unit of the heat capacity according to the Imperial system of units.
N64	British thermal unit (thermochemical) per pound degree Rankine Unit of the heat capacity (British thermal unit according to the international table according to the Rankine degree) according to the Imperial system of units divided by the unit avoirdupois pound according to the avoirdupois system of units.
N65	kilocalorie (international table) per gram kelvin Unit of the mass-related heat capacity as quotient 1000-fold of the calorie (international table) divided by the product of the 0,001-fold of the SI base units kilogram and kelvin.
N66	British thermal unit (39 °F) Unit of heat energy according to the Imperial system of units in a reference temperature of 39 °F.
N67	British thermal unit (59 °F) Unit of heat energy according to the Imperial system of units in a reference temperature of 59 °F.
N68	British thermal unit (60 °F) Unit of head energy according to the Imperial system of units at a reference temperature of 60 °F.
N69	calorie (20 °C) Unit for quantity of heat, which is to be required for 1 g air free water at a constant pressure from 101,325 kPa, to warm up the pressure of standard atmosphere at sea level, from 19,5 °C on 20,5 °C.
N70	quad (1015 BtuIT) Unit of heat energy according to the imperial system of units.
N71	therm (EC) Unit of heat energy in commercial use, within the EU defined: 1 thm (EC) = 100 000 BtuIT.
N72	therm (U.S.) Unit of heat energy in commercial use.
N73	British thermal unit (thermochemical) per pound Unit of the heat energy according to the Imperial system of units divided the unit avoirdupois pound according to the avoirdupois system of units.
N74	British thermal unit (international table) per hour square foot degree Fahrenheit Unit of the heat transition coefficient according to the Imperial system of units.

**Used Codes**

N75	British thermal unit (thermochemical) per hour square foot degree Fahrenheit Unit of the heat transition coefficient according to the imperial system of units.
N76	British thermal unit (international table) per second square foot degree Fahrenheit Unit of the heat transition coefficient according to the imperial system of units.
N77	British thermal unit (thermochemical) per second square foot degree Fahrenheit Unit of the heat transition coefficient according to the imperial system of units.
N78	kilowatt per square metre kelvin 1000-fold of the derived SI unit watt divided by the product of the power of the SI base unit metre by exponent 2 and the SI base unit kelvin.
N79	kelvin per pascal SI base unit kelvin divided by the derived SI unit pascal.
N80	watt per metre degree Celsius Derived SI unit watt divided by the product of the SI base unit metre and the unit for temperature degree Celsius.
N81	kilowatt per metre kelvin 1000-fold of the derived SI unit watt divided by the product of the SI base unit metre and the SI base unit kelvin.
N82	kilowatt per metre degree Celsius 1000-fold of the derived SI unit watt divided by the product of the SI base unit metre and the unit for temperature degree Celsius.
N83	metre per degree Celcius metre SI base unit metre divided by the product of the unit degree Celsius and the SI base unit metre.
N84	degree Fahrenheit hour per British thermal unit (international table) Non SI-conforming unit of the thermal resistance according to the Imperial system of units.
N85	degree Fahrenheit hour per British thermal unit (thermochemical) Non SI-conforming unit of the thermal resistance according to the Imperial system of units.
N86	degree Fahrenheit second per British thermal unit (international table) Non SI-conforming unit of the thermal resistance according to the Imperial system of units.
N87	degree Fahrenheit second per British thermal unit (thermochemical) Non SI-conforming unit of the thermal resistance according to the Imperial system of units.
N88	degree Fahrenheit hour square foot per British thermal unit (international table) inch Unit of specific thermal resistance according to the Imperial system of units.

**Used Codes**

N89	degree Fahrenheit hour square foot per British thermal unit (thermochemical) inch Unit of specific thermal resistance according to the Imperial system of units.
N90	kilofarad 1000-fold of the derived SI unit farad.
N91	reciprocal joule Reciprocal of the derived SI unit joule.
N92	picosiemens 0,000 000 000 001-fold of the derived SI unit siemens.
N93	ampere per pascal SI base unit ampere divided by the derived SI unit pascal.
N94	franklin CGS (Centimetre-Gram-Second system) unit of the electrical charge, where the charge amounts to exactly 1 Fr where the force of 1 dyn on an equal load is performed at a distance of 1 cm.
N95	ampere minute A unit of electric charge defining the amount of charge accumulated by a steady flow of one ampere for one minute..
N96	biot CGS (Centimetre-Gram-Second system) unit of the electric power which is defined by a force of 2 dyn per cm between two parallel conductors of infinite length with negligible cross-section in the distance of 1 cm.
N97	gilbert CGS (Centimetre-Gram-Second system) unit of the magnetomotive force, which is defined by the work to increase the magnetic potential of a positive common pol with 1 erg.
N98	volt per pascal Derived SI unit volt divided by the derived SI unit pascal.
N99	picovolt 0,000 000 000 001-fold of the derived SI unit volt.
NA	milligram per kilogram
NAR	number of articles A unit of count defining the number of articles (article: item).
NCL	number of cells A unit of count defining the number of cells (cell: an enclosed or circumscribed space, cavity, or volume).
NEW	newton
NF	message A unit of count defining the number of messages.

**Used Codes**

NIL	nil A unit of count defining the number of instances of nothing.
NIU	number of international units A unit of count defining the number of international units.
NL	load A unit of volume defining the number of loads (load: a quantity of items carried or processed at one time).
NM3	Normalised cubic metre Normalised cubic metre (temperature 0°C and pressure 101325 millibars)
NMI	nautical mile
NMP	number of packs A unit of count defining the number of packs (pack: a collection of objects packaged together).
NPR	number of pairs A unit of count defining the number of pairs (pair: item described by two's).
NPT	number of parts A unit of count defining the number of parts (part: component of a larger entity).
NQ	mho
NR	micromho
NT	net ton A unit of mass equal to 2000 pounds, see ton (US). Refer International Convention on tonnage measurement of Ships.
NTT	net register ton A unit of mass equal to the total cubic footage after deductions, where 1 register ton is equal to 100 cubic feet. Refer International Convention on tonnage measurement of Ships.
NU	newton metre
NX	part per thousand A unit of proportion equal to 10 to the power of -3. Synonym: per mille
OA	panel A unit of count defining the number of panels (panel: a distinct, usually rectangular, section of a surface).
ODE	ozone depletion equivalent A unit of mass defining the ozone depletion potential in kilograms of a product relative to the calculated depletion for the reference substance, Trichlorofluoromethane (CFC-11).
OHM	ohm

**Used Codes**

ON	ounce per square yard
ONZ	ounce (avoirdupois)
OPM	oscillations per minute The number of oscillations per minute.
OT	overtime hour A unit of time defining the number of overtime hours.
OZ	ounce av A unit of measure equal to 1/16 of a pound or about 28.3495 grams (av = avoirdupois). Use ounce (common code ONZ).
OZA	fluid ounce (US)
OZI	fluid ounce (UK)
P1	percent A unit of proportion equal to 0.01.
P10	coulomb per metre Derived SI unit coulomb divided by the SI base unit metre.
P11	kiloweber 1000 fold of the derived SI unit weber.
P12	gamma Unit of magnetic flow density.
P13	kilotesla 1000-fold of the derived SI unit tesla.
P14	joule per second Quotient of the derived SI unit joule divided by the SI base unit second.
P15	joule per minute Quotient from the derived SI unit joule divided by the unit minute.
P16	joule per hour Quotient from the derived SI unit joule divided by the unit hour.
P17	joule per day Quotient from the derived SI unit joule divided by the unit day.
P18	kilojoule per second Quotient from the 1000-fold of the derived SI unit joule divided by the SI base unit second.
P19	kilojoule per minute Quotient from the 1000-fold of the derived SI unit joule divided by the unit minute.
P2	pound per foot



**Used Codes**

P20	kilojoule per hour Quotient from the 1000-fold of the derived SI unit joule divided by the unit hour.
P21	kilojoule per day Quotient from the 1000-fold of the derived SI unit joule divided by the unit day.
P22	nanoohm 0,000 000 001-fold of the derived SI unit ohm.
P23	ohm circular-mil per foot Unit of resistivity.
P24	kilohenry 1000-fold of the derived SI unit henry.
P25	lumen per square foot Derived SI unit lumen divided by the power of the unit foot according to the Anglo-American and Imperial system of units by exponent 2.
P26	phot CGS (Centimetre-Gram-Second system) unit of luminance, defined as lumen by square centimetre.
P27	footcandle Non SI conform traditional unit, defined as density of light which impinges on a surface which has a distance of one foot from a light source, which shines with an intensity of an international candle.
P28	candela per square inch SI base unit candela divided by the power of unit inch according to the Anglo-American and Imperial system of units by exponent 2.
P29	footlambert Unit of the luminance according to the Anglo-American system of units, defined as emitted or reflected luminance of a $\text{lm}/\text{ft}^2$ .
P30	lambert CGS (Centimetre-Gram-Second system) unit of luminance, defined as the emitted or reflected luminance by one lumen per square centimetre.
P31	stilb CGS (Centimetre-Gram-Second system) unit of luminance, defined as emitted or reflected luminance by one lumen per square centimetre.
P32	candela per square foot Base unit SI candela divided by the power of the unit foot according to the Anglo-American and Imperial system of units by exponent 2.
P33	kilocandela 1000-fold of the SI base unit candela.

**Used Codes**

P34	millicandela 0,001-fold of the SI base unit candela.
P35	Hefner-Kerze Obsolete, non-legal unit of the power in Germany relating to DIN 1301-3: 1979: 1 HK = 0,903 cd.
P36	international candle Obsolete, non-legal unit of the power in Germany relating to DIN 1301-3: 1979: 1 HK = 1,019 cd.
P37	British thermal unit (international table) per square foot Unit of the areal-related energy transmission according to the Imperial system of units.
P38	British thermal unit (thermochemical) per square foot Unit of the areal-related energy transmission according to the Imperial system of units.
P39	calorie (thermochemical) per square centimetre Unit of the areal-related energy transmission according to the Imperial system of units.
P40	langley CGS (Centimetre-Gram-Second system) unit of the areal-related energy transmission (as a measure of the incident quantity of heat of solar radiation on the earth's surface).
P41	decade (logarithmic) 1 Dec := $\log_2 10 \sim 3,32$ according to the logarithm for frequency range between $f_1$ and $f_2$ , when $f_2/f_1 = 10$ .
P42	pascal squared second Unit of the set as a product of the power of derived SI unit pascal with exponent 2 and the SI base unit second.
P43	bel per metre Unit bel divided by the SI base unit metre.
P44	pound mole Non SI-conforming unit of quantity of a substance relating that one pound mole of a chemical composition corresponds to the same number of pounds as the molecular weight of one molecule of this composition in atomic mass units.
P45	pound mole per second Non SI-conforming unit of the power of the amount of substance non-SI compliant unit of the molar flux relating that a pound mole of a chemical composition the same number of pound corresponds like the molecular weight of a molecule of this composition in atomic mass units.

**Used Codes**

P46	pound mole per minute Non SI-conforming unit of the power of the amount of substance non-SI compliant unit of the molar flux relating that a pound mole of a chemical composition the same number of pound corresponds like the molecular weight of a molecule of this composition in atomic mass units.
P47	kilomole per kilogram 1000-fold of the SI base unit mol divided by the SI base unit kilogram.
P48	pound mole per pound Non SI-conforming unit of the material molar flux divided by the avoirdupois pound for mass according to the avoirdupois unit system.
P49	newton square metre per ampere Product of the derived SI unit newton and the power of SI base unit metre with exponent 2 divided by the SI base unit ampere.
P5	five pack A unit of count defining the number of five-packs (five-pack: set of five items packaged together).
P50	weber metre Product of the derived SI unit weber and SI base unit metre.
P51	mol per kilogram pascal SI base unit mol divided by the product of the SI base unit kilogram and the derived SI unit pascal.
P52	mol per cubic metre pascal SI base unit mol divided by the product of the power from the SI base unit metre with exponent 3 and the derived SI unit pascal.
P53	unit pole CGS (Centimetre-Gram-Second system) unit for magnetic flux of a magnetic pole (according to the interaction of identical poles of 1 dyn at a distance of a cm).
P54	milligray per second 0,001-fold of the derived SI unit gray divided by the SI base unit second.
P55	microgray per second 0,000 001-fold of the derived SI unit gray divided by the SI base unit second.
P56	nanogray per second 0,000 000 001-fold of the derived SI unit gray divided by the SI base unit second.
P57	gray per minute SI derived unit gray divided by the unit minute.
P58	milligray per minute 0,001-fold of the derived SI unit gray divided by the unit minute.

**Used Codes**

P59	microgray per minute 0,000 001-fold of the derived SI unit gray divided by the unit minute.
P60	nanogray per minute 0,000 000 001-fold of the derived SI unit gray divided by the unit minute.
P61	gray per hour SI derived unit gray divided by the unit hour.
P62	milligram per hour 0,001-fold of the derived SI unit gray divided by the unit hour.
P63	microgray per hour 0,000 001-fold of the derived SI unit gray divided by the unit hour.
P64	nanogray per hour 0,000 000 001-fold of the derived SI unit gray divided by the unit hour.
P65	sievert per second Derived SI unit sievert divided by the SI base unit second.
P66	millisievert per second 0,001-fold of the derived SI unit sievert divided by the SI base unit second.
P67	microsievert per second 0,000 001-fold of the derived SI unit sievert divided by the SI base unit second.
P68	nanosievert per second 0,000 000 001-fold of the derived SI unit sievert divided by the SI base unit second.
P69	rem per second Unit for the equivalent tin rate relating to DIN 1301-3:1979: 1 rem/s = 0,01 J/(kg·s) = 1 Sv/s.
P70	sievert per hour Derived SI unit sievert divided by the unit hour.
P71	millisievert per hour 0,001-fold of the derived SI unit sievert divided by the unit hour.
P72	microsievert per hour 0,000 001-fold of the derived SI unit sievert divided by the unit hour.
P73	nanosievert per hour 0,000 000 001-fold of the derived SI unit sievert divided by the unit hour.
P74	sievert per minute Derived SI unit sievert divided by the unit minute.
P75	millisievert per minute 0,001-fold of the derived SI unit sievert divided by the unit minute.

**Used Codes**

P76	microsievert per minute 0,000 001-fold of the derived SI unit sievert divided by the unit minute.
P77	nanosievert per minute 0,000 000 001-fold of the derived SI unit sievert divided by the unit minute.
P78	reciprocal square inch Complement of the power of the unit inch according to the Anglo-American and Imperial system of units by exponent 2.
P79	pascal square metre per kilogram Unit of the burst index as derived unit for pressure pascal related to the substance, represented as a quotient from the SI base unit kilogram divided by the power of the SI base unit metre by exponent 2.
P80	millipascal per metre 0,001-fold of the derived SI unit pascal divided by the SI base unit metre.
P81	kilopascal per metre 1000-fold of the derived SI unit pascal divided by the SI base unit metre.
P82	hectopascal per metre 100-fold of the derived SI unit pascal divided by the SI base unit metre.
P83	standard atmosphere per metre Outdated unit of the pressure divided by the SI base unit metre.
P84	technical atmosphere per metre Obsolete and non-legal unit of the pressure which is generated by a 10 metre water column divided by the SI base unit metre.
P85	torr per metre CGS (Centimetre-Gram-Second system) unit of the pressure divided by the SI base unit metre.
P86	psi per inch Compound unit for pressure (pound-force according to the Anglo-American unit system divided by the power of the unit inch according to the Anglo-American and Imperial system of units with the exponent 2) divided by the unit inch according to the Anglo-American and Imperial system of units .
P87	cubic metre per second square metre Unit of volume flow cubic meters by second related to the transmission surface in square metres.
P88	rhe Non SI-conforming unit of fluidity of dynamic viscosity.
P89	pound-force foot per inch Unit for length-related rotational moment according to the Anglo-American and Imperial system of units.

**Used Codes**

P90	pound-force inch per inch Unit for length-related rotational moment according to the Anglo-American and Imperial system of units.
P91	perm (0 °C) Traditional unit for the ability of a material to allow the transition of the steam, defined at a temperature of 0 °C as steam transmittance, where the mass of one grain steam penetrates an area of one foot squared at a pressure from one inch mercury per hour.
P92	perm (23 °C) Traditional unit for the ability of a material to allow the transition of the steam, defined at a temperature of 23 °C as steam transmittance at which the mass of one grain of steam penetrates an area of one square foot at a pressure of one inch mercury per hour.
P93	byte per second Unit byte divided by the SI base unit second.
P94	kilobyte per second 1000-fold of the unit byte divided by the SI base unit second.
P95	megabyte per second 1 000 000-fold of the unit byte divided by the SI base unit second.
P96	reciprocal volt Reciprocal of the derived SI unit volt.
P97	reciprocal radian Reciprocal of the unit radian.
P98	pascal to the power sum of stoichiometric numbers Unit of the equilibrium constant on the basis of the pressure(ISO 80000-9: 2009, 9-35.a).
P99	mole per cubiv metre to the power sum of stoichiometric numbers Unit of the equilibrium constant on the basis of the concentration (ISO 80000-9:2009, 9-36.a).
PAL	pascal
PD	pad A unit of count defining the number of pads (pad: block of paper sheets fastened together at one end).
PFL	proof litre A unit of volume equal to one litre of proof spirits, or the alcohol equivalent thereof. Used for measuring the strength of distilled alcoholic liquors, expressed as a percentage of the alcohol content of a standard mixture at a specific temperature.

**Used Codes**

PGL	proof gallon A unit of volume equal to one gallon of proof spirits, or the alcohol equivalent thereof. Used for measuring the strength of distilled alcoholic liquors, expressed as a percentage of the alcohol content of a standard mixture at a specific temperature.
PI	pitch A unit of count defining the number of characters that fit in a horizontal inch.
PLA	degree Plato A unit of proportion defining the sugar content of a product, especially in relation to beer.
PO	pound per inch of length
PQ	page per inch A unit of quantity defining the degree of thickness of a bound publication, expressed as the number of pages per inch of thickness.
PR	pair A unit of count defining the number of pairs (pair: item described by two's).
PS	pound-force per square inch
PT	pint (US) Use liquid pint (common code PTL)
PTD	dry pint (US)
PTI	pint (UK)
PTL	liquid pint (US)
PTN	portion A quantity of allowance of food allotted to, or enough for, one person.
Q10	joule per tesla Unit of the magnetic dipole moment of the molecule as derived SI unit joule divided by the derived SI unit tesla.
Q11	erlang Unit of the market value according to the feature of a single feature as a statistical measurement of the existing utilization.
Q12	octet Synonym for byte: 1 octet = 8 bit = 1 byte.
Q13	octet per second Unit octet divided by the SI base unit second.
Q14	shannon Logarithmic unit for information equal to the content of decision of a sentence of two mutually exclusive events, expressed as a logarithm to base 2.

**Used Codes**

Q15	hartley Logarithmic unit for information equal to the content of decision of a sentence of ten mutually exclusive events, expressed as a logarithm to base 10.
Q16	natural unit of information Logarithmic unit for information equal to the content of decision of a sentence of ,718 281 828 459 mutually exclusive events, expressed as a logarithm to base Euler value e.
Q17	shannon per second Time related logarithmic unit for information equal to the content of decision of a sentence of two mutually exclusive events, expressed as a logarithm to base 2.
Q18	hartley per second Time related logarithmic unit for information equal to the content of decision of a sentence of ten mutually exclusive events, expressed as a logarithm to base 10.
Q19	natural unit of information per second Time related logarithmic unit for information equal to the content of decision of a sentence of 2,718 281 828 459 mutually exclusive events, expressed as a logarithm to base of the Euler value e.
Q20	second per kilogramm Unit of the Einstein transition probability for spontaneous or inducing emissions and absorption according to ISO 80000-7:2008, expressed as SI base unit second divided by the SI base unit kilogram.
Q21	watt square metre Unit of the first radiation constants $c_1 = 2 \cdot p \cdot h \cdot c_0$ to the power of 2, the value of which is 3,741 771 18·10 <sup>16</sup> -fold that of the comparative value of the product of the derived SI unit watt multiplied with the power of the SI base unit metre with the exponent 2.
Q22	second per radian cubic metre Unit of the density of states as an expression of angular frequency as complement of the product of hertz and radiant and the power of SI base unit metre by exponent 3 .
Q23	weber to the power minus one Complement of the derived SI unit weber as unit of the Josephson constant, which value is equal to the 384 597,891-fold of the reference value gigahertz divided by volt.
Q24	reciprocal inch Complement of the unit inch according to the Anglo-American and Imperial system of units.
Q25	dioptre Unit used at the statement of relative refractive indexes of optical systems as complement of the focal length with correspondence to: 1 dpt = 1/m.



**Used Codes**

Q26	one per one Value of the quotient from two physical units of the same kind as a numerator and denominator whereas the units are shortened mutually.
Q27	newton metre per metre Unit for length-related rotational moment as product of the derived SI unit newton and the SI base unit metre divided by the SI base unit metre.
Q28	kilogram per square metre pascal second Unit for the ability of a material to allow the transition of steam.
Q29	microgram per hectogram Microgram per hectogram.
Q3	meal A unit of count defining the number of meals (meal: an amount of food to be eaten on a single occasion).
Q30	pH (potential of Hydrogen) The activity of the (solvated) hydrogen ion (a logarithmic measure used to state the acidity or alkalinity of a chemical solution).
Q31	kilojoule per gram
Q32	femtolitre
Q33	picolitre
Q34	nanolitre
Q35	megawatts per minute A unit of power defining the total amount of bulk energy transferred or consumer per minute.
Q36	square metre per cubic metre A unit of the amount of surface area per unit volume of an object or collection of objects.
Q37	Standard cubic metre per day Standard cubic metre (temperature 15°C and pressure 101325 millibars) per day
Q38	Standard cubic metre per hour Standard cubic metre (temperature 15°C and pressure 101325 millibars) per hour
Q39	Normalized cubic metre per day Normalized cubic metre (temperature 0°C and pressure 101325 millibars) per day
Q40	Normalized cubic metre per hour Normalized cubic metre (temperature 0°C and pressure 101325 millibars) per hour

**Used Codes**

Q41	Joule per normalised cubic metre Joule per normalised cubic metre (temperature 0°C and pressure 101325 millibars).
Q42	Joule per standard cubic metre Joule per standard cubic metre (temperature 15°C and pressure 101325 millibars).
QA	page - facsimile A unit of count defining the number of facsimile pages.
QAN	quarter (of a year) A unit of time defining the number of quarters (3 months).
QB	page - hardcopy A unit of count defining the number of hardcopy pages (hardcopy page: a page rendered as printed or written output on paper, film, or other permanent medium).
QR	quire A unit of count for paper, expressed as the number of quires (quire: a number of paper sheets, typically 25).
QT	quart (US) Use liquid quart (common code QTL)
QTD	dry quart (US)
QTI	quart (UK)
QTL	liquid quart (US)
QTR	quarter (UK) A traditional unit of weight equal to 1/4 hundredweight. In the United Kingdom, one quarter equals 28 pounds.
R1	pica A unit of count defining the number of picas. (pica: typographical length equal to 12 points or 4.22 mm (approx.)).
R9	thousand cubic metre A unit of volume equal to one thousand cubic metres.
RH	running or operating hour A unit of time defining the number of hours of operation.
RM	ream A unit of count for paper, expressed as the number of reams (ream: a large quantity of paper sheets, typically 500).
ROM	room A unit of count defining the number of rooms.

**Used Codes**

RP	pound per ream A unit of mass for paper, expressed as pounds per ream. (ream: a large quantity of paper, typically 500 sheets).
RPM	revolutions per minute Refer ISO/TC12 SI Guide
RPS	revolutions per second Refer ISO/TC12 SI Guide
RT	revenue ton mile A unit of information typically used for billing purposes, expressed as the number of revenue tons (revenue ton: either a metric ton or a cubic metres, whichever is the larger), moved over a distance of one mile.
S3	square foot per second Synonym: foot squared per second
S4	square metre per second Synonym: metre squared per second (square metres/second US)
SAN	half year (6 months) 'A unit of time defining the number of half years (6 months).
SCO	score A unit of count defining the number of units in multiples of 20.
SCR	scruple
SEC	second [unit of time]
SET	set A unit of count defining the number of sets (set: a number of objects grouped together).
SG	segment A unit of information equal to 64000 bytes.
SHT	shipping ton A unit of mass defining the number of tons for shipping.
SIE	siemens
SM3	Standard cubic metre Standard cubic metre (temperature 15°C and pressure 101325 millibars)
SMI	mile (statute mile)
SQ	square A unit of count defining the number of squares (square: rectangular shape).
SQR	square, roofing A unit of count defining the number of squares of roofing materials, measured in multiples of 100 square feet.

**Used Codes**

SR	strip A unit of count defining the number of strips (strip: long narrow piece of an object).
STC	stick A unit of count defining the number of sticks (stick: slender and often cylindrical piece of a substance).
STI	stone (UK)
STK	stick, cigarette A unit of count defining the number of cigarettes in the smallest unit for stock-taking and/or duty computation.
STL	standard litre A unit of volume defining the number of litres of a product at a temperature of 15 degrees Celsius, especially in relation to hydrocarbon oils.
STN	ton (US) or short ton (UK/US) Synonym: net ton (2000 lb)
STW	straw A unit of count defining the number of straws (straw: a slender tube used for sucking up liquids).
SW	skein A unit of count defining the number of skeins (skein: a loosely-coiled bundle of yarn or thread).
SX	shipment A unit of count defining the number of shipments (shipment: an amount of goods shipped or transported).
SYR	syringe A unit of count defining the number of syringes (syringe: a small device for pumping, spraying and/or injecting liquids through a small aperture).
T0	telecommunication line in service A unit of count defining the number of lines in service.
T3	thousand piece A unit of count defining the number of pieces in multiples of 1000 (piece: a single item, article or exemplar).
TAH	kiloampere hour (thousand ampere hour)
TAN	total acid number A unit of chemistry defining the amount of potassium hydroxide (KOH) in milligrams that is needed to neutralize the acids in one gram of oil. It is an important quality measurement of crude oil.
TI	thousand square inch

**Used Codes**

TIC	metric ton, including container A unit of mass defining the number of metric tons of a product, including its container.
TIP	metric ton, including inner packaging A unit of mass defining the number of metric tons of a product, including its inner packaging materials.
TKM	tonne kilometre A unit of information typically used for billing purposes, expressed as the number of tonnes (metric tons) moved over a distance of one kilometre.
TMS	kilogram of imported meat, less offal A unit of mass equal to one thousand grams of imported meat, disregarding less valuable by-products such as the entrails.
TNE	tonne (metric ton) Synonym: metric ton
TP	ten pack A unit of count defining the number of items in multiples of 10.
TPI	teeth per inch The number of teeth per inch.
TPR	ten pair A unit of count defining the number of pairs in multiples of 10 (pair: item described by two's).
TQD	thousand cubic metre per day A unit of volume equal to one thousand cubic metres per day.
TRL	trillion (EUR)
TST	ten set A unit of count defining the number of sets in multiples of 10 (set: a number of objects grouped together).
TTS	ten thousand sticks A unit of count defining the number of sticks in multiples of 10000 (stick: slender and often cylindrical piece of a substance).
U1	treatment A unit of count defining the number of treatments (treatment: subjection to the action of a chemical, physical or biological agent).
U2	tablet A unit of count defining the number of tablets (tablet: a small flat or compressed solid object).
UA	torr
UB	telecommunication line in service average A unit of count defining the average number of lines in service.

**Used Codes**

UC	telecommunication port A unit of count defining the number of network access ports.
VA	volt - ampere per kilogram
VLT	volt
VP	percent volume A measure of concentration, typically expressed as the percentage volume of a solute in a solution.
W2	wet kilo A unit of mass defining the number of kilograms of a product, including the water content of the product.
WA	watt per kilogram
WB	wet pound A unit of mass defining the number of pounds of a material, including the water content of the material.
WCD	cord A unit of volume used for measuring lumber. One board foot equals 1/12 of a cubic foot.
WE	wet ton A unit of mass defining the number of tons of a material, including the water content of the material.
WEB	weber
WEE	week
WG	wine gallon A unit of volume equal to 231 cubic inches.
WHR	watt hour
WM	working month A unit of time defining the number of working months.
WSD	standard A unit of volume of finished lumber equal to 165 cubic feet. Synonym: standard cubic foot
WTT	watt
WW	millilitre of water A unit of volume equal to the number of millilitres of water.
X1	Gunter's chain A unit of distance used or formerly used by British surveyors.
YDK	square yard
YDQ	cubic yard
YRD	yard

**Used Codes**

Z11	hanging container A unit of count defining the number of hanging containers.
ZP	page A unit of count defining the number of pages.
ZZ	mutually defined A unit of measure as agreed in common between two or more parties.
001	Barrel (205 litres, 45 gallons) (GS1 Temporary Code) A unit of liquids equivalent to 205 litres or 45 gallons.
23	gram per cubic centimetre GS1 Description: g/cm <sup>3</sup> as a unit of measure for the density of gas. This is necessary for dangerous substance articles for determination of the quantities that can be stored together on the shelf.
25	gram per square centimetre GS1 Description: A measure of weight in terms of gram per square centimetre.
28	kilogram per square metre GS1 Description: Unit of measure expressed in kilogram per square metre.
37	ounce per square foot
59	part per million
64	Pound per square inch, gauge A unit of measure expressed in pound per square inch
2N	decibel
2X	metre per minute GS1 Description: A measure of speed in terms of metres per minute.
4K	milliampere
4L	megabyte GS1 Description: A unit of computer memory equal to 1.048.576 (i.e. 2 power 20) bytes.
40	microfarad GS1 Description: One millionth of a farad. A farad is the capacitance of a capacitor between the plates of which a potential of 1 volt is created by a charge of 1 Coulomb.
4P	newton per metre
A25	cheval vapeur
A86	gigahertz GS1 Description: Hertz multiplied by 10 <sup>9</sup> .

**Used Codes**

A99	Bit A unit of information equal to one binary digit.
ACR	acre GS1 Description: Acre (4840 yd <sup>2</sup> )
AD	byte GS1 Description: A unit of information stored in a computer, equal to eight bits.
AMH	ampere hour GS1 Description: Ampere-hour (3,6kC)
AMP	ampere
AMT	amount
ANN	year GS1 Description: The expression of a year as a measure unit.
APZ	Troy ounce or apothecary ounce EDIFACT
ASM	alcoholic strength by mass GS1 Description: Alcoholic strength expressed by mass.
ASU	alcoholic strength by volume GS1 Description: Alcoholic strength expressed by volume.
AV	capsule GS1 Description: Encapsuled dosage form for pharmaceuticals.
B13	Joule per square metre A unit of measure of heat energy expressed in joule per square metre.
B17	Credit A unit of count defining the number of entries made to the credit side of an account.
BAR	bar GS1 Description: A unit of measure equal to 10 <sup>6</sup> dynes per square centimeter.
BTU	British thermal unit GS1 Description: British thermal unit (1,055 kilojoules)
C0	call GS1 Description: Unit of measure for telephone calls. Code value is C0 (C Zero).



**Used Codes**

C60	ohm centimetre GS1 Description: Unit of measure expressed in Ohm centimetre.
C79	Kilovolt Ampere Hour A unit of accumulated energy of 1000 volt amperes over a period of one hour. EDIFACT
CDL	candela GS1 Description: Unit of measure of light intensity.
CEL	degree celsius
CF2	Colony forming unit per gram (GS1 Temporary Code) Colony forming units per gram is a unit of measure for micro-organisms, such as bacteria, in a food item. Micro-organisms form colonies that are be counted under determined conditions
CLT	centilitre GS1 Description: A unit of volume equal to one hundredth of a liter.
CMK	square centimetre
CMQ	cubic centimetre GS1 Description: A system of units for the measurement of volume based on the cubic centimetre.
CMT	centimetre
D19	Square metre kelvin per watt Unit of measure of thermal insulance expressed in square metre kelvin per watt.
D21	square metre per kilogram GS1 Description: Unit of measure expressed in square metre per kilogram.
D32	Terawatt hour A unit of measure expressed in terawatt hour
D5	Kilogram per square centimetre A unit of measure expressed in kilogram per square centimetre
D55	Watt per square metre kelvin Unit of measure of thermal conductance expressed in watt per square metre kelvin.
D68	Number of Words A unit of count defining the number of words. EDIFACT
DAY	day GS1 Description: The expression of a day as a measure unit.

**Used Codes**

DD	degree GS1 Description: Unit of measure of temperature.
DMQ	cubic decimetre GS1 Description: Unit of measure expressed in cubic decimetre.
DMT	decimetre
DRG	Dragée (GS1 Temporary Code) Number of dragées (coated tablets) contained in the item's package as a measurement unit.
DZN	dozen GS1 Description: A unit of measure of 12 or group of 12.
E09	Milliampere hour A unit of power load delivered at the rate of one thousandth of an ampere over a period of one hour. EDIFACT
E10	Degree day A unit of measure used in meteorology and engineering to measure the demand for heating or cooling over a given period of days. EDIFACT
E11	Gigacalorie A unit of heat energy equal to one thousand million calories. EDIFACT
E27	Dose A unit of count defining the number of doses (dose: a definite quantity of a medicine or drug). EDIFACT
E31	Square metre per litre A unit of count defining the number of square metres per litre. EDIFACT
E32	Litre per hour A unit of count defining the number of litres per hour. EDIFACT
E34	Gigabyte A unit of information equal to 10 E9 bytes.
E37	Pixel A unit of count defining the number of pixels (pixel: picture element).
E38	Megapixel A unit of count equal to 10 E6 (1000000) pixels (picture elements).

**Used Codes**

E39	Dots per inch A unit of information defining the number of dots per linear inch as a measure of the resolution or sharpness of an image. GS1 Description: synonym: pixels per inch.
EA	each
EV	envelope GS1 Description: A unit of measure pertaining to the number of envelopes.
FAH	degree Fahrenheit
FOT	foot GS1 Description: Foot (0,3048 m)
FP	Pound per square foot A unit of measure expressed in pound per square foot
FTK	Square foot A unit of measure expressed in square foot
FTQ	cubic foot
GL	gram per litre
GLI	gallon (UK) GS1 Description: Gallon (4,546092 dm <sup>3</sup> )
GM	gram per square metre GS1 Description: Unit of measure of grams per square metre.
GRM	gram
GRO	gross GS1 Description: A unit of measure of 12 dozens.
GV	gigajoule
GWH	gigawatt hour GS1 Description: Gigawatt-hour (1 million kW/h)
H87	Piece A unit of count defining the number of pieces (piece: a single item, article or exemplar). EDIFACT
HLT	hectolitre
HMT	hectometre A unit of linear measure equal to 10 E2 metres.

**Used Codes**

HTZ	hertz GS1 Description: One cycle per second.
HUR	hour
INH	inch GS1 Description: Inch (25,4 mm)
INK	Square inch A unit of measure expressed in square inch
JM	Megajoule per cubic metre EDIFACT
JOU	joule
K51	Kilocalorie (mean) EDIFACT
KB	kilocharacter
KBA	kilobar
KEL	kelvin
KGM	kilogram
KHZ	kilohertz
KJO	kilojoule
KL	kilogram per metre GS1 Description: A measure of weight in terms of kilogram per metre.
KMH	kilometre per hour GS1 Description: A unit of measure expressed in kilometre per hour.
KMQ	kilogram per cubic metre GS1 Description: A measure of weight in terms of kilogram per cubic metre.
KMT	kilometre
KPA	kilopascal GS1 Description: Unit of measure expressed in kilopascal.
KVA	kilovolt - ampere GS1 Description: A unit of electric power.
KVT	kilovolt
KWH	kilowatt hour
KWT	kilowatt

**Used Codes**

L2	litre per minute GS1 Description: Unit of measure expressed in litre per minute.
LBR	Pound EDIFACT
LD	Litre per day A unit of measure defining the number of litres per day.
LNE	Printed line count (GS1 Temporary Code) The indication of the count of printed lines included on a paper communication (e.g. telegram) for invoicing purposes.
LTR	litre GS1 Description: Litre (1 dm <sup>3</sup> )
LUX	lux GS1 Description: Unit of measure of illumination (it corresponds to the illumination of a surface which normally and uniformly receives a light flow of 1 lumen per square meter).
M4	Monetary value A unit of measure expressed as a monetary amount. EDIFACT
MAL	mega litre
MAW	megawatt
MC	microgram One millionth of a gram.
MCU	millicurie GS1 Description: Unit of measure for radioactivity.
MGM	milligram
MHZ	megahertz
MIN	minute
MLT	millilitre
MMK	square millimetre GS1 Description: A unit to measure a surface equal to one millionth of a quadrate.
MMQ	cubic millimetre GS1 Description: A unit of measure expressed in cubic milimetres.
MMT	millimetre
MON	month GS1 Description: The expression of a month as a measure unit.

**Used Codes**

MPA	megapascal GS1 Description: A unit of measure expressed in Megapascal.
MQH	Cubic metre per hour A unit of measure defining the number of cubic metres per hour.
MTK	square metre
MTQ	cubic metre
MTR	metre
MTS	Metre per second A unit of speed expressed in metres per second.
MWH	megawatt hour (1000 kW.h)
NAR	number of articles
NEW	newton GS1 Description: The SI unit of force, equal to the force that would give a mass of one kilogram an acceleration of one metre per second.
NIU	number of international units A unit of count defining the number of international units.
NRL	number of rolls
ONZ	ounce GS1 Description: Ounce GB, US (28,349523 g)
OZA	fluid ounce (US) GS1 Description: Fluid ounce US (29,5735 cm <sup>3</sup> )
OZI	fluid ounce (UK) GS1 Description: Fluid ounce UK (28,413 cm <sup>3</sup> )
P1	percent GS1 Description: This code is used to indicate measurements in terms of percentages, e.g. the relative humidity (code RA in data element 6313) is 52%.
PA	packet
PAL	pascal GS1 Description: The SI unit of pressure, equal to one Newton per square metre.
PCE	Piece (GS1 Temporary Code) GS1 Note: Old code value. Use value H87 instead.
PF	pallet (lift) GS1 Description: A number of articles expressed in terms of pallets.

**Used Codes**

PR	pair GS1 Description: Two articles which belong together but are not necessarily identical.
PTI	pint (UK) GS1 Description: Pint UK (0,568262 dm3)
PTN	Portion (GS1 Temporary Code) The identification of the number of portions (doses in medical terms) into which a complete product may be broken into for serving purposes, e.g. a pie with 6 portions, a liquid medicine with 20 doses.
QAN	quarter (of a year)
QTI	quart (UK) GS1 Description: Quart UK (1,1136523 dm3)
RJH	Decanewton (GS1 Temporary Code) A unit of force equal to 10 Newton.
RPM	revolutions per minute
RTO	Ratio (GS1 Temporary Code) The measured value is a ratio.
SEC	second
SMI	Mile (statute mile) A unit of measure expressed in mile
ST	sheet
TNE	tonne (metric ton) GS1 Description: Metric ton (1000kg)
U2	tablet A unit of count defining the number of tablets (tablet: a small flat or compressed solid object). GS1 Description: Dosage form for pharmaceuticals, pressed or compacted from a powder into a solid dose.
UI	Unit of activity, predefined (GS1 Temporary Code) A measure pertaining to a predefined activity.
VI	vial GS1 Description: Small glass container. E.g. for a liquid medicine or perfume.
VLT	volt
WHR	watt hour
WTT	watt

**Used Codes**

YDK	Square yard A unit of measure expressed in square yard
YRD	yard GS1 Description: Yard (0,9144 m)
ZP	page GS1 Description: The indication of a page as a measurement unit for invoicing purposes, e.g. fax pages.
<b>7009</b>	Item description code Code specifying an item.
ACA	ABC Method - Classification A (GS1 Permanent Code) Activity based on costing classification method A.
ACB	ABC Method - Classification B (GS1 Permanent Code) Activity based on costing classification method B.
ACC	ABC Method - Classification C (GS1 Permanent Code) Activity based on costing classification method C.
AUT	Autumn (GS1 Permanent Code) Autumn season.
BA	Base article (GS1 Permanent Code) A conceptual article identified for the purposes of ordering Customer Specific Articles. Base articles must always have configurations of options associated with them.
BLK	Bulk consumer unit (GS1 Permanent Code) The item is designed as a bulk consumer unit, i.e. to be sold mainly to hotels, restaurants, caterers, hospitals etc.
BU	Base unit (GS1 Permanent Code) The lowest level packaged unit for a given product, which may or may not be the consumer unit.
CA	Case (GS1 Permanent Code) A standard trade item shipping unit.
CIT	Collateral Item (GS1 Permanent Code) A trade item delivered from a manufacturer to the retail selling floor that is not considered inventory and has no retail value.
CMP	Composition (GS1 Permanent Code) The item is included in a dynamic assortment.
CSF	Display material (GS1 Permanent Code) A shopping unit that is a display.



**Used Codes**

CSG	Full display stand (GS1 Permanent Code) A trade item given to a consumer as part of a promotional event on another item or items.
CTO	Cut to order (GS1 Permanent Code) A unit load that is a "display ready pallet" and is intended to go directly to the selling floor.
CU	Consumer unit (GS1 Permanent Code) A group of trade items (the same or different) that are intended to be sold as a single consumer unit at the Point-of-Sale.
D	Available all the year round (GS1 Permanent Code) A unit load that could contain multiple packages.
DAS	Dynamic Assortment (GS1 Permanent Code) The item is included in a dynamic assortment.
DF	Default (GS1 Permanent Code) A logistical unit or a consumer unit between a case and a each.
DIC	Discount coupon (GS1 Permanent Code) A coupon that entitles to a discount.
DSP	Display shipper (GS1 Permanent Code) A shopping unit that is a display.
DST	Display stand (GS1 Permanent Code) A trade item given to a consumer as part of a promotional event on another item or items.
DU	Despatch unit (GS1 Permanent Code) The package size of a product or products which may be shipped when fulfilling an order.
ETO	Engineer to Order (GS1 Permanent Code) Engineer to Order includes products that are designed, developed and manufactured in response to a specific customer request.
F01	Caught (GS1 Permanent Code) Caught at sea
F02	Caught in freshwater (GS1 Permanent Code) Caught in freshwater
F03	Farmed (GS1 Permanent Code) Farmed
F04	Cultivated (GS1 Permanent Code) Cultivated
FEM	Female (GS1 Permanent Code) Female gender.

**Used Codes**

FS	Available in spring-summer (GS1 Permanent Code) The product is available in the spring-summer period.
FZ1	Previously frozen (GS1 Permanent Code) Previously frozen
FZ2	Not previously frozen (GS1 Permanent Code) Not previously frozen
GWP	Gift with purchase (GS1 Permanent Code) A trade item given to a consumer as part of a promotional event on another item or items.
HN	Handling unit (GS1 Permanent Code) The package size of a product which will be used when transporting and storing the product.
HW	Available in autumn-winter (GS1 Permanent Code) The product is available in the autumn-winter period.
IF1	IF <> THEN <> ENDIF (GS1 Permanent Code) E.G., IF <customer chooses node number 1332> THEN <action (taken from DE 1229 of LIN) to node number 1773> ENDIF.
IF2	IF NOT <> THEN <> ENDIF (GS1 CPermanent ode) E.G., IF NOT <customer does not choose node number 1332> THEN <action (taken from DE 1229 of LIN) to node number 1773> ENDIF.
IF3	IF <> AND (GS1 Permanent Code) E.G., IF <customer chooses node number 1332> AND (followed by another repeat of IMD with another rule).
IF4	IF NOT <> AND (GS1 Permanent Code) E.G., IF NOT <customer does not choose node number 1332> AND (followed by another repeat of IMD with another rule).
IF5	IF <> OR (GS1 Permanent Code) E.G., IF <customer chooses node number 1332> OR (followed by another repeat of IMD with another rule).
IF6	IF NOT <> OR (GS1 Permanent Code) E.G., IF NOT <customer does not choose node number 1332> OR (followed by another repeat of IMD with another rule).
IF7	IF <> XOR (GS1 Permanent Code) E.G., IF <customer chooses node number 1332> XOR (followed by another repeat of IMD with another rule).
IF8	IF NOT <> XOR (GS1 Permanent Code) E.G., IF NOT <customer does not choose node number 1332> XOR (followed by another repeat of IMD with another rule).

**Used Codes**

IN	Invoicing unit (GS1 Permanent Code) The package size of a product or products which will be used as the unit on which the buyer is invoiced.
IT	Intermediate unit (GS1 Permanent Code) A package size of a product or products falling in between two predefined package sizes.
MA	Mandatory (GS1 Permanent Code) An option of a Customer Specific Article which is mandatory in the configuration of the base article, e.g. it is mandatory to have legs when ordering a CSA table.
MAL	Male (GS1 Permanent Code) Male gender.
MM	Mixed module (GS1 Permanent Code) A unit load that is a "display ready pallet" and is intended to go directly to the selling floor.
MOD	Model (GS1 Permanent Code) The identification of an article as a high level model of a product, e.g. spring fashions.
MP	Multipack (GS1 Permanent Code) A group of trade items (the same or different) that are intended to be sold as a single consumer unit at the Point-of-Sale.
MTO	Make to Order (GS1 Permanent Code) A Make to Order environment is one in which products are completed after receipt of a customer order and are built or configured only in response to a customer order.
MTS	Make to Stock (GS1 Permanent Code) Make to Stock products are intended to be shipped from finished goods or 'off the shelf', are completed prior to receipt of a customer order, and are generally produced in accordance with sales forecasts.
NAR	Next Article (GS1 Permanent Code) An indication that what follows is a set of linked articles, a certain number of these linked articles should be chosen.
NBU	Not a base unit (GS1 Permanent Code) Not the lowest level packaged unit for a given product, which may or may not be the consumer unit.
NCU	Not a consumer unit (GS1 Permanent Code) The current base item or packaging item is not a consumer unit, i.e. is not a pre-packaging that is intended and labelled or marked for consumers according to legal requirements.
ND	Non divisible item (GS1 Permanent Code) The item is not divisible.

**Used Codes**

NDU	Not a despatch unit (GS1 Permanent Code) The current base item or packaging item is not a regular logistical despatch unit, i.e. it is as a rule only delivered as many within a further repackaging, and not as an individual logistics item.
NFR	Not For Resale (GS1 Permanent Code) Item is not for resale to consumer.
NIN	Not an invoicing unit (GS1 Permanent Code) The current base item or packaging item is not an invoicing unit of the data supplier, i.e. cannot be invoiced individually but only as one of many in a repackaging or transport packaging item.
NLK	Not a bulk consumer unit (GS1 Permanent Code) The item is not designed as a bulk consumer unit, i.e. to be sold mainly to hotels, restaurants, caterers, hospitals etc.
NO	Not an ordering unit (GS1 Permanent Code) A package size of a product or products which may not be ordered.
NOS	Yes, NOS item (GS1 Permanent Code) The current item is an NOS (Never out of stock) article, that is continuously reordered and replenished.
NOT	Not, not an NOS item (GS1 Permanent Code) The current item is not an NOS (Never out of stock) article, therefore is not continuously reordered and replenished.
NOV	Next option value (GS1 Permanent Code) An indication that what follows is a set of linked option values, next option values, or parameters.
NPC	Reusable container, but not standardized by a pool cooperative (GS1 Permanent Code) Reusable container that is not standardized by a pool cooperative.
NRC	Non-returnable container (GS1 Permanent Code) The current product is not traditionally a traded product and does not need to be returned to the sender.
NRE	Not a retail product (GS1 Permanent Code) The current item is not meant for retail sale, but only for sale to hotels, restaurants and catering.
NS	Not smallest unit (GS1 Permanent Code) Not the smallest unit for a given product.
NSU	Non-standard unit (GS1 Permanent Code) Products grouped together to fulfil specific ordering needs and not generally available.
NVQ	Not a variable quantity product (GS1 Permanent Code) The current item is a variable weight trade item, for which the weight and the quantity is determined only by the buyer.

## Used Codes

OP	Option (GS1 Permanent Code) An option within a Customer Specific Article which does not exist on its own, e.g. colour, and which has discrete values.
OPL	Overall product level (GS1 Permanent Code) An overall level whereby many products are grouped on the basis of their composition, application and characteristics (e.g. Coca Cola with no size, packaging, price, etc, specified).
OPV	Option value (GS1 Permanent Code) The result of a choice of an option. The option value will be the lowest level of a branch beneath an option structure.
ORU	Ordering unit (GS1 Permanent Code) Indication that the current product is an ordering unit (ordering unit will not normally equal invoicing unit).
PA	Numeric parameter (GS1 Permanent Code) An option of a Customer Specific Article which has a continuous numeric value, e.g., measurement of the length of a chair leg between 60cms and 80cms.
PAA	Alpha-numeric parameter (GS1 Permanent Code) An option of a Customer Specific Article which has a continuous alpha-numeric value, e.g., words and numbers to be embroidered into a cushion cover.
PAD	Promotional article description (GS1 Permanent Code) Description of a promotional article.
PAL	Pallet (GS1 Permanent Code) A unit load that could contain multiple packages.
PAS	Prepack assortment (GS1 Permanent Code) Contains multiple components, each of which represents a unique consumer unit item.
PIP	Packer or inner pack (GS1 Permanent Code) A logistical unit or a consumer unit between a case and a each.
PPK	Prepack (GS1 Permanent Code) Contains multiple components, each of which represents a unique consumer unit item.
PR1	Bonus Pack (GS1 Permanent Code) The free quantity promotional trade item contains free additional quantities. The additional quantity is written on the package as free.
PR2	Free components (GS1 Permanent Code) It contains free included components or material. The price is lower since the trade item includes a part of its content free. The free quantity is written on the package.

## Used Codes

---

PR3	<p>Free quantity (GS1 Permanent Code)</p> <p>It contains free quantity, a "special offer" sticker on the package indicates the promotional offer but the free quantity is not written on the package. If the free quantity promotional offer results in a change of GTIN and the quantity of product is the same as the standard trade item, it qualifies as a free quantity promotional trade item. The linkage has to be provided.</p>
PR4	<p>Multi-pack and combination pack (GS1 Permanent Code)</p> <p>It is a promotional grouping with included free quantity. The grouping is created for promotional activities only. In the grouping a part of the quantity is free.</p>
PRO	<p>Programme (GS1 Permanent Code)</p> <p>A programme within a Customer Specific Article which does not exist on its own.</p>
PWP	<p>Purchase with purchase (GS1 Permanent Code)</p> <p>A trade item sold to a consumer at a special price as part of a promotional event, contingent on the consumer purchasing another item or items.</p>
RC	<p>Returnable container (GS1 Permanent Code)</p> <p>The current product is not traditionally a traded product but one which should be returned according to separate instructions.</p>
RD	<p>Refundable deposit item (GS1 Permanent Code)</p> <p>Item is subject to a refundable deposit.</p>
RE	<p>Retail product (GS1 Permanent Code)</p> <p>The current item is meant for retail sale only, and not for sale to hotels, restaurants and catering.</p>
RPC	<p>Reusable pool container (GS1 Permanent Code)</p> <p>Reusable container standardized by a pool cooperative.</p>
SER	<p>Service (GS1 Permanent Code)</p> <p>A code identifying the current item as a service (i.e. not a physical product).</p>
SG	<p>Standard group of products (mixed assortment) (GS1 Permanent Code)</p> <p>A standard package containing different products enabling the package to be ordered, delivered and invoiced.</p>
SMR	<p>Summer (GS1 Permanent Code)</p> <p>Summer season.</p>
SPK	<p>Setpack (GS1 Permanent Code)</p> <p>Contains multiple components, each of which represents a unique consumer unit item.</p>
SPR	<p>Spring (GS1 Permanent Code)</p> <p>Spring season.</p>
SU	<p>Smallest unit (GS1 Permanent Code)</p> <p>The smallest usable or tradeable size or unit for a given product.</p>

**Used Codes**

TU	Traded unit (GS1 Permanent Code) The package size of a product or products which has been agreed by trading partners as the size which may be ordered, delivered and invoiced.
UNI	Unisex (GS1 Permanent Code) No gender.
VQ	Variable quantity product (GS1 Permanent Code) Product is used or traded in continuous rather than discrete quantities.
WNT	Winter (GS1 Permanent Code) Winter season.
XX1	Count (GS1 Permanent Code) The measure applied to price is count.
XX2	Area (GS1 Permanent Code) The measure applied to price is area.
XX3	Weight (GS1 Permanent Code) The measure applied to price is weight.
XX4	Volume (GS1 Permanent Code) The measure applied to price is volume.
XX5	Length (GS1 Permanent Code) The measure applied to price is length.
XX6	Loose (GS1 Permanent Code) A trade item which is without packaging at the retail level.
XX7	Pre-packed (GS1 Permanent Code) A variable-measure trade item which is provided with packaging that is assembled or produced by the supplier or by the retailer in advance of sale to the consumer.
XX8	Fixed discount coupon on item price (GS1 Permanent Code) A discount coupon that can be redeemed at the point of sale for a fixed amount when purchasing a specific item/brand/range.
XX9	Fixed discount coupon on purchase amount (GS1 Permanent Code) A discount coupon that can be redeemed at the point of sale for a fixed amount on the total amount of the purchase.
XY1	Percentage discount on item price (GS1 Permanent Code) A discount coupon that can be redeemed at the point of sale for a percentage of the specific item/brand/range value.
XY2	Percentage discount on purchase amount (GS1 Permanent Code) A discount coupon that can be redeemed at the point of sale for a percentage of the total amount of the purchase.
XY3	Meal voucher (GS1 Permanent Code) Fixed amount voucher that can be redeemed at foodservice industry.

**Used Codes**

XY4	Limited Edition (GS1 Permanent Code) A product with limited edition is restricted in the number of copies produced, although in fact the number may be very low or very high. A special edition implies there is extra material of some kind included.
XY5	One Shot Product (GS1 Permanent Code) The trading partners agree to supply/buy this product only once. Afterwards this product will not be supplied/bought any more.
XY6	Fee (GS1 Permanent Code) Code identify the GTIN of LIN segment as being fees.
XY7	Brokerage (GS1 Permanent Code) Code identify the GTIN of LIN segment as being brokerages.
XY8	Transport medium unit (GS1 Permanent Code) Code identify the position as a Transport Medium Unit (Pallet, Container, ....).
XY9	Counted measurand factor (GS1 Permanent Code) Factor for price calculation of energy products, e.g. gas, fuel.
XZ1	Standard condition conversion (GS1 Permanent Code) The ratio of a product volume (e.g. gas) in standard conditions to the volume in the operating state.
XZ2	Calorific value (GS1 Permanent Code) The calorific value of a fuel indicates the amount of heat generated by the combustion and subsequent cooling of the combustion gases at 25 degrees Celsius.
XZ3	Food contact allowed (GS1 Temporary Code) The trade item is allowed to have direct contact with food.
XZ4	Food contact not allowed (GS1 Temporary Code) The trade item is not allowed to have direct contact with food.
<b>7065</b>	Package type description code Code specifying the type of package.  Notes: 1. Recommend use UN/ECE Recommendation No. 21 (also, see current volume of UNTDED).
43	Bag, super bulk
44	Bag, polybag A type of plastic bag, typically used to wrap promotional pieces, publications, product samples, and/or catalogues.
1A	Drum, steel
1B	Drum, aluminium
1D	Drum, plywood



**Used Codes**

1F	Container, flexible A packaging container of flexible construction.
1G	Drum, fibre
1W	Drum, wooden
2C	Barrel, wooden
3A	Jerrican, steel
3H	Jerrican, plastic
4A	Box, steel
4B	Box, aluminium
4C	Box, natural wood
4D	Box, plywood
4F	Box, reconstituted wood
4G	Box, fibreboard
4H	Box, plastic
5H	Bag, woven plastic
5L	Bag, textile
5M	Bag, paper
6H	Composite packaging, plastic receptacle
6P	Composite packaging, glass receptacle
7A	Case, car A type of portable container designed to store equipment for carriage in an automobile.
7B	Case, wooden A case made of wood for retaining substances or articles.
8A	Pallet, wooden A platform or open-ended box, made of wood, on which goods are retained for ease of mechanical handling during transport and storage.
8B	Crate, wooden A receptacle, made of wood, on which goods are retained for ease of mechanical handling during transport and storage.
8C	Bundle, wooden Loose or unpacked pieces of wood tied or wrapped together.
AA	Intermediate bulk container, rigid plastic
AB	Receptacle, fibre
AC	Receptacle, paper

**Used Codes**

AD	Receptacle, wooden
AE	Aerosol
AF	Pallet, modular, collars 80cms × 60cms
AG	Pallet, shrinkwrapped
AH	Pallet, 100cms × 110cms
AI	Clamshell
AJ	Cone
AL	Ball A spherical containment vessel for retaining substances or articles.
AM	Ampoule, non-protected
AP	Ampoule, protected
AT	Atomizer
AV	Capsule
B4	Belt A band use to retain multiple articles together.
BA	Barrel
BB	Bobbin
BC	Bottlecrate / bottlerack
BD	Board
BE	Bundle
BF	Balloon, non-protected
BG	Bag
BH	Bunch
BI	Bin
BJ	Bucket
BK	Basket
BL	Bale, compressed
BM	Basin
BN	Bale, non-compressed
BO	Bottle, non-protected, cylindrical
BP	Balloon, protected
BQ	Bottle, protected cylindrical
BR	Bar
BS	Bottle, non-protected, bulbous

**Used Codes**

BT	Bolt
BU	Butt
BV	Bottle, protected bulbous
BW	Box, for liquids
BX	Box
BY	Board, in bundle/bunch/truss
BZ	Bars, in bundle/bunch/truss
CA	Can, rectangular
CB	Crate, beer
CC	Churn
CD	Can, with handle and spout
CE	Creel
CF	Coffer
CG	Cage
CH	Chest
CI	Canister
CJ	Coffin
CK	Cask
CL	Coil
CM	Card
CN	Container, not otherwise specified as transport equipment
CO	Carboy, non-protected
CP	Carboy, protected
CQ	Cartridge
CR	Crate
CS	Case
CT	Carton
CU	Cup
CV	Cover
CW	Cage, roll
CX	Can, cylindrical
CY	Cylinder
CZ	Canvas

**Used Codes**

DA	Crate, multiple layer, plastic
DB	Crate, multiple layer, wooden
DC	Crate, multiple layer, cardboard
DG	Cage, Commonwealth Handling Equipment Pool (CHEP)
DH	Box, Commonwealth Handling Equipment Pool (CHEP), Eurobox
DI	Drum, iron
DJ	Demijohn, non-protected
DK	Crate, bulk, cardboard
DL	Crate, bulk, plastic
DM	Crate, bulk, wooden
DN	Dispenser
DP	Demijohn, protected
DR	Drum
DS	Tray, one layer no cover, plastic
DT	Tray, one layer no cover, wooden
DU	Tray, one layer no cover, polystyrene
DV	Tray, one layer no cover, cardboard
DW	Tray, two layers no cover, plastic tray
DX	Tray, two layers no cover, wooden
DY	Tray, two layers no cover, cardboard
EC	Bag, plastic
ED	Case, with pallet base
EE	Case, with pallet base, wooden
EF	Case, with pallet base, cardboard
EG	Case, with pallet base, plastic
EH	Case, with pallet base, metal
EI	Case, isothermic
EN	Envelope
FB	Flexibag A flexible containment bag made of plastic, typically for the transportation bulk non-hazardous cargoes using standard size shipping containers.
FC	Crate, fruit
FD	Crate, framed

**Used Codes**

FE	Flexitank A flexible containment tank made of plastic, typically for the transportation bulk non-hazardous cargoes using standard size shipping containers.
FI	Firkin
FL	Flask
FO	Footlocker
FP	Filmpack
FR	Frame
FT	Foodtainer
FW	Cart, flatbed Wheeled flat bedded device on which trays or other regular shaped items are packed for transportation purposes.
FX	Bag, flexible container
GB	Bottle, gas
GI	Girder
GL	Container, gallon A container with a capacity of one gallon.
GR	Receptacle, glass
GU	Tray, containing horizontally stacked flat items Tray containing flat items stacked on top of one another.
GY	Bag, gunny A sack made of gunny or burlap, used for transporting coarse commodities, such as grains, potatoes, and other agricultural products.
GZ	Girders, in bundle/bunch/truss
HA	Basket, with handle, plastic
HB	Basket, with handle, wooden
HC	Basket, with handle, cardboard
HG	Hogshead
HN	Hanger A purpose shaped device with a hook at the top for hanging items from a rail.
HR	Hamper
IA	Package, display, wooden
IB	Package, display, cardboard
IC	Package, display, plastic
ID	Package, display, metal

**Used Codes**

IE	Package, show
IF	Package, flow
IG	Package, paper wrapped
IH	Drum, plastic
IK	Package, cardboard, with bottle grip-holes
IL	Tray, rigid, lidded stackable (CEN TS 14482:2002) Lidded stackable rigid tray compliant with CEN TS 14482:2002.
IN	Ingot
IZ	Ingots, in bundle/bunch/truss
JB	Bag, jumbo A flexible containment bag, widely used for storage, transportation and handling of powder, flake or granular materials. Typically constructed from woven polypropylene (PP) fabric in the form of cubic bags.
JC	Jerrican, rectangular
JG	Jug
JR	Jar
JT	Jutebag
JY	Jerrican, cylindrical
KG	Keg
KI	Kit A set of articles or implements used for a specific purpose.
LE	Luggage A collection of bags, cases and/or containers which hold personal belongings for a journey.
LG	Log
LT	Lot
LU	Lug A wooden box for the transportation and storage of fruit or vegetables.
LV	Liftvan
LZ	Logs, in bundle/bunch/truss
MA	Crate, metal Containment box made of metal for retaining substances or articles.
MB	Bag, multiply
MC	Crate, milk

**Used Codes**

ME	Container, metal A type of containment box made of metal for retaining substances or articles, not otherwise specified as transport equipment.
MR	Receptacle, metal
MS	Sack, multi-wall
MT	Mat
MW	Receptacle, plastic wrapped
MX	Matchbox
NA	Not available
NE	Unpacked or unpackaged
NF	Unpacked or unpackaged, single unit
NG	Unpacked or unpackaged, multiple units
NS	Nest
NT	Net
NU	Net, tube, plastic
NV	Net, tube, textile
O1	Two sided cage on wheels with fixing strap A two sided cage mounted on wheels with fixing strap. Dimensions: 900 x 770 x 1513 cm (length x width x height).
O2	Trolley A low cart for the transportation and storage of groceries, milk, etc.
O3	Oneway pallet ISO 0 - 1/2 EURO Pallet Oneway pallet with dimensions 80 X 60 cm.
O4	Oneway pallet ISO 1 - 1/1 EURO Pallet Oneway pallet with dimensions 80 X 120 cm.
O5	Oneway pallet ISO 2 - 2/1 EURO Pallet Oneway pallet with dimensions 100 X 120 cm.
O6	Pallet with exceptional dimensions Pallet with non-standard dimensions.
OA	Pallet, CHEP 40 cm x 60 cm CHEP standard pallet of dimensions 40 centimeters x 60 centimeters.
OB	Pallet, CHEP 80 cm x 120 cm CHEP standard pallet of dimensions 80 centimeters x 120 centimeters.
OC	Pallet, CHEP 100 cm x 120 cm CHEP standard pallet of dimensions 100 centimeters x 120 centimeters.

**Used Codes**

OD	Pallet, AS 4068-1993 Australian standard pallet of dimensions 115.5 centimeters x 116.5 centimeters.
OE	Pallet, ISO T11 ISO standard pallet of dimensions 110 centimeters x 110 centimeters, prevalent in Asia - Pacific region.
OF	Platform, unspecified weight or dimension A pallet equivalent shipping platform of unknown dimensions or unknown weight.
OG	Pallet ISO 0 - 1/2 EURO Pallet Standard pallet with dimensions 80 X 60 cm.
OH	Pallet ISO 1 - 1/1 EURO Pallet Standard pallet with dimensions 80 X 120 cm.
OI	Pallet ISO 2 - 2/1 EURO Pallet Standard pallet with dimensions 100 X 120 cm.
OJ	1/4 EURO Pallet Standard pallet with dimensions 60 X 40 cm.
OK	Block A solid piece of a hard substance, such as granite, having one or more flat sides.
OL	1/8 EURO Pallet Standard pallet with dimensions 40 X 30 cm.
OM	Synthetic pallet ISO 1 A standard pallet with standard dimensions 80 x 120cm made of a synthetic material for hygienic reasons.
ON	Synthetic pallet ISO 2 A standard pallet with standard dimensions 100 x 120cm made of a synthetic material for hygienic reasons.
OP	Wholesaler pallet Pallet provided by the wholesaler.
OQ	Pallet 80 X 100 cm Pallet with dimensions 80 X 100 cm.
OR	Pallet 60 X 100 cm Pallet with dimensions 60 X 100 cm.
OS	Oneway pallet Pallet need not be returned to the point of expedition.
OT	Octabin A standard cardboard container of large dimensions for storing for example vegetables, granules of plastics or other dry products.



**Used Codes**

OU	Container, outer A type of containment box that serves as the outer shipping container, not otherwise specified as transport equipment.
OV	Returnable pallet Pallet must be returned to the point of expedition.
OW	Large bag, pallet sized A non-rigid container made of fabric, paper, plastic, etc, with an opening at the top which can be closed and which is suitable for use on pallets.
OX	A wheeled pallet with raised rim (81 x 67 x 135) A wheeled pallet with raised rim for the storing and transporting of loads. Dimensions: 81 x 67 x 135 cm (length x width x height).
OY	A wheeled pallet with raised rim (81 x 72 x 135) A wheeled pallet with raised rim for the storing and transporting of loads. Dimensions: 81 x 72 x 135 cm (length x width x height).
OZ	A wheeled pallet with raised rim (81 x 60 x 16) A wheeled pallet with raised rim for the storing and transporting of loads. Dimensions: 81 x 60 x 16 cm (length x width x height).
P2	Pan A shallow, wide, open container, usually of metal.
PA	Packet
PB	Pallet, box
PC	Parcel
PD	Pallet, modular, collars 80cms * 100cms
PE	Pallet, modular, collars 80cms * 120cms
PF	Pen
PG	Plate
PH	Pitcher
PI	Pipe
PJ	Punnet
PK	Package
PL	Pail
PN	Plank
PO	Pouch
PP	Piece A loose or unpacked article.
PR	Receptacle, plastic
PT	Pot

**Used Codes**

PU	Tray pack
PV	Pipes, in bundle/bunch/truss
PX	Pallet
PY	Plates, in bundle/bunch/truss
PZ	Planks, in bundle/bunch/truss
QA	Drum, steel, non-removable head
QB	Drum, steel, removable head
QC	Drum, aluminium, non-removable head
QD	Drum, aluminium, removable head
QF	Drum, plastic, non-removable head
QG	Drum, plastic, removable head
QH	Barrel, wooden, bung type
QJ	Barrel, wooden, removable head
QK	Jerrican, steel, non-removable head
QL	Jerrican, steel, removable head
QM	Jerrican, plastic, non-removable head
QN	Jerrican, plastic, removable head
QP	Box, wooden, natural wood, ordinary
QQ	Box, wooden, natural wood, with sift proof walls
QR	Box, plastic, expanded
QS	Box, plastic, solid
RD	Rod
RG	Ring
RJ	Rack, clothing hanger
RK	Rack
RL	Reel
RO	Roll
RT	Rednet
RZ	Rods, in bundle/bunch/truss
SA	Sack
SB	Slab
SC	Crate, shallow
SD	Spindle

**Used Codes**

SE	Sea-chest
SH	Sachet
SI	Skid
SK	Case, skeleton
SL	Slipsheet
SM	Sheetmetal
SO	Spool
SP	Sheet, plastic wrapping
SS	Case, steel
ST	Sheet
SU	Suitcase
SV	Envelope, steel
SW	Shrinkwrapped
SY	Sleeve
SZ	Sheets, in bundle/bunch/truss
T1	Tablet A loose or unpacked article in the form of a bar, block or piece.
TB	Tub
TC	Tea-chest
TD	Tube, collapsible
TE	Tyre A ring made of rubber and/or metal surrounding a wheel.
TG	Tank container, generic A specially constructed container for transporting liquids and gases in bulk.
TI	Tierce TI
TK	Tank, rectangular
TL	Tub, with lid
TN	Tin
TO	Tun
TR	Trunk
TS	Truss
TT	Bag, tote A capacious bag or basket.
TU	Tube

**Used Codes**

TV	Tube, with nozzle
TW	Pallet, triwall A lightweight pallet made from heavy duty corrugated board.
TY	Tank, cylindrical
TZ	Tubes, in bundle/bunch/truss
UC	Uncaged
UN	Unit A type of package composed of a single item or object, not otherwise specified as a unit of transport equipment.
VA	Vat
VG	Bulk, gas (at 1031 mbar and 15 degree C)
VI	Vial
VK	Vanpack
VL	Bulk, liquid
VN	Vehicle A self-propelled means of conveyance.
VO	Bulk, solid, large particles ("nodules")
VP	Vacuum-packed
VQ	Bulk, liquefied gas (at abnormal temperature/pressure)
VR	Bulk, solid, granular particles ("grains")
VS	Bulk, scrap metal Loose or unpacked scrap metal transported in bulk form.
VY	Bulk, solid, fine particles ("powders")
WA	Intermediate bulk container
WB	Wickerbottle
WC	Intermediate bulk container, steel
WD	Intermediate bulk container, aluminium
WF	Intermediate bulk container, metal
WG	Intermediate bulk container, steel, pressurised > 10 kpa
WH	Intermediate bulk container, aluminium, pressurised > 10 kpa
WJ	Intermediate bulk container, metal, pressure 10 kpa
WK	Intermediate bulk container, steel, liquid
WL	Intermediate bulk container, aluminium, liquid
WM	Intermediate bulk container, metal, liquid

**Used Codes**

WN	Intermediate bulk container, woven plastic, without coat/liner
WP	Intermediate bulk container, woven plastic, coated
WQ	Intermediate bulk container, woven plastic, with liner
WR	Intermediate bulk container, woven plastic, coated and liner
WS	Intermediate bulk container, plastic film
WT	Intermediate bulk container, textile with out coat/liner
WU	Intermediate bulk container, natural wood, with inner liner
WV	Intermediate bulk container, textile, coated
WW	Intermediate bulk container, textile, with liner
WX	Intermediate bulk container, textile, coated and liner
WY	Intermediate bulk container, plywood, with inner liner
WZ	Intermediate bulk container, reconstituted wood, with inner liner
XA	Bag, woven plastic, without inner coat/liner
XB	Bag, woven plastic, sift proof
XC	Bag, woven plastic, water resistant
XD	Bag, plastics film
XF	Bag, textile, without inner coat/liner
XG	Bag, textile, sift proof
XH	Bag, textile, water resistant
XJ	Bag, paper, multi-wall
XK	Bag, paper, multi-wall, water resistant
YA	Composite packaging, plastic receptacle in steel drum
YB	Composite packaging, plastic receptacle in steel crate box
YC	Composite packaging, plastic receptacle in aluminium drum
YD	Composite packaging, plastic receptacle in aluminium crate
YF	Composite packaging, plastic receptacle in wooden box
YG	Composite packaging, plastic receptacle in plywood drum
YH	Composite packaging, plastic receptacle in plywood box
YJ	Composite packaging, plastic receptacle in fibre drum
YK	Composite packaging, plastic receptacle in fibreboard box
YL	Composite packaging, plastic receptacle in plastic drum
YM	Composite packaging, plastic receptacle in solid plastic box
YN	Composite packaging, glass receptacle in steel drum

**Used Codes**

YP	Composite packaging, glass receptacle in steel crate box
YQ	Composite packaging, glass receptacle in aluminium drum
YR	Composite packaging, glass receptacle in aluminium crate
YS	Composite packaging, glass receptacle in wooden box
YT	Composite packaging, glass receptacle in plywood drum
YV	Composite packaging, glass receptacle in wickerwork hamper
YW	Composite packaging, glass receptacle in fibre drum
YX	Composite packaging, glass receptacle in fibreboard box
YY	Composite packaging, glass receptacle in expandable plastic pack
YZ	Composite packaging, glass receptacle in solid plastic pack
ZA	Intermediate bulk container, paper, multi-wall
ZB	Bag, large
ZC	Intermediate bulk container, paper, multi-wall, water resistant
ZD	Intermediate bulk container, rigid plastic, with structural equipment, solids
ZF	Intermediate bulk container, rigid plastic, freestanding, solids
ZG	Intermediate bulk container, rigid plastic, with structural equipment, pressurised
ZH	Intermediate bulk container, rigid plastic, freestanding, pressurised
ZJ	Intermediate bulk container, rigid plastic, with structural equipment, liquids
ZK	Intermediate bulk container, rigid plastic, freestanding, liquids
ZL	Intermediate bulk container, composite, rigid plastic, solids
ZM	Intermediate bulk container, composite, flexible plastic, solids
ZN	Intermediate bulk container, composite, rigid plastic, pressurised
ZP	Intermediate bulk container, composite, flexible plastic, pressurised
ZQ	Intermediate bulk container, composite, rigid plastic, liquids
ZR	Intermediate bulk container, composite, flexible plastic, liquids
ZS	Intermediate bulk container, composite
ZT	Intermediate bulk container, fibreboard
ZU	Intermediate bulk container, flexible
ZV	Intermediate bulk container, metal, other than steel
ZW	Intermediate bulk container, natural wood
ZX	Intermediate bulk container, plywood
ZY	Intermediate bulk container, reconstituted wood
ZZ	Mutually defined

**Used Codes**

08	Oneway pallet (GS1 Temporary Code) Pallet need not be returned to the point of expedition.
09	Returnable pallet (GS1 Temporary Code) Pallet must be returned to the point of expedition.
200	Pallet ISO 0 - 1/2 EURO Pallet (GS1 Temporary Code) Standard pallet with dimensions 80 X 60 cm.
201	Pallet ISO 1 - 1/1 EURO Pallet (GS1 Temporary Code) Standard pallet with dimensions 80 X 120 cm.
202	Pallet ISO 2 (GS1 Temporary Code) Standard pallet with dimensions 100 X 120 cm.
203	1/4 EURO Pallet (GS1 Temporary Code) Standard pallet with dimensions 60 X 40 cm.
204	1/8 EURO Pallet (GS1 Temporary Code) Standard pallet with dimensions 40 X 30 cm.
205	Synthetic pallet ISO 1 (GS1 Temporary Code) A standard pallet with standard dimensions 80*120cm made of a synthetic material for hygienic reasons.
206	Synthetic pallet ISO 2 (GS1 Temporary Code) A standard pallet with standard dimensions 100*120cm made of a synthetic material for hygienic reasons.
210	Wholesaler pallet (GS1 Temporary Code) Pallet provided by the wholesaler.
211	Pallet 80 X 100 cm (GS1 Temporary Code) Pallet with dimensions 80 X 100 cm.
212	Pallet 60 X 100 cm (GS1 Temporary Code) Pallet with dimensions 60 X 100 cm.
AH	Pallet 100cms * 110cms Standard sized pallet of dimensions 100centimeters by 110 centimeters (cms). EDIFACT
AI	Clamshell EDIFACT
APE	Aluminium packed (GS1 Temporary Code) Packaging using thin sheets of aluminium.
BGE	Large bag, pallet sized (GS1 Temporary Code) A non-rigid container made of fabric, paper, plastic, etc, with an opening at the top which can be closed and which is suitable for use on pallets.
BME	Blister pack (GS1 Temporary Code) A transparent strip package of pressable plastic which allows the product to be displayed while remaining protected.

**Used Codes**

BRI	Brick (GS1 Temporary Code) A box made of a cardboard, plastic or metal, used for liquids.
CBL	Container bottle like (GS1 Temporary Code) A non-protected, non-cylindrical, container with a narrow neck made usually of glass or plastic which is especially used for liquids, e.g. perfume bottle.
CCE	Cardboard carrier (GS1 Temporary Code) A package made of cardboard.
CM	Card A flat package usually made of fibreboard from/to which the product is often hung or attached. EDIFACT
E1	Performance meat container E1 (GS1 Temporary Code) Standard performance meat container with dimensions 60 X 40 X 12,5 cm.
E2	Performance meat container E2 (GS1 Temporary Code) Standard performance meat container with dimensions 60 X 40 X 20 cm.
E3	Performance meat container E3 (GS1 Temporary Code) Standard performance meat container with dimensions 60 X 40 X 30 cm.
FOB	Folding box (GS1 Temporary Code) Folded cardboard box e.g for products like frozen vegetables, paper clips
FPE	Foil packed (GS1 Temporary Code) Packaging using a metallic foil.
LAB	Labeled package (GS1 Temporary Code) The package is labeled. Usually the label identifies the name, brand or description of the product within the package.
MPE	Multipack (GS1 Temporary Code) A container for the merchandising of multiple units of the same product.
OPE	Oxygen packed (GS1 Temporary Code) A package with oxygen added for storage purposes.
PAE	Paper (GS1 Temporary Code) An indication that the item(s) is packed in paper.
PJ	Punnet EDIFACT
PLP	Peel pack (GS1 Temporary Code) A package used for sterile products which may be torn open without touching the product inside.
POP	Cone shaped paper wrapper (GS1 Temporary Code) Cone shaped paper wrapping e.g. for an individually packed ice cream cone.
PPE	Polypropylene bag (GS1 Temporary Code) A bag made from polypropylene.



**Used Codes**

PUE	Tray packed in plastic (GS1 Temporary Code) A board with a ring packed in plastic carrying for small articles.
RB3	Wheeled pallet with raised rim. 81 x 60 x 16 cm (length x width x height). (GS1 Temporary Code) A wheeled pallet with raised rim for the storing and transporting of loads. Dimensions: 81 x 60 x 16 cm (length x width x height).
RCB	Two sided cage on wheels with fixing strap (GS1 Temporary Code) 900 x 770 x 1513 cm (length x width x height) A two sided cage mounted on wheels with fixing strap. Dimensions: 900 x 770 x 1513 cm (length x width x height).
S1	GS1 SMART-Box Type E (GS1 Temporary Code) Standard reusable crate with dimensions 60 x 40 x 21,1 cm.
SEC	Article Surveillance (GS1 Temporary Code) Equipped with article surveillance.
SO	Spool Any cylindrical piece on which something is wound.
SP	Sheet, plastic wrapping EDIFACT
STL	Stick (GS1 Temporary Code) A container for dispensing solid substances, e.g. glue, deodorant.
T1	Tablet A loose or unpacked article in the form of a bar, block or piece. EDIFACT
TEV	Tamper evident package (GS1 Temporary Code) A type of package giving easy or immediate recognition that the package has been tampered with after it has been sealed.
THE	Three pack (GS1 Temporary Code) A package containing three products.
TL	Tub, with lid EDIFACT
TRE	Trolley (GS1 Temporary Code) A low cart for the transportation and storage of groceries, milk, etc.
TTE	Tube, standing (GS1 Temporary Code) A screw-topped pliable cylinder capable of standing and suitable for holding pastes or semi-liquids, e.g. a tube of toothpaste.
TWE	Two pack (GS1 Temporary Code) A package containing two products.
UUE	Tube net (GS1 Temporary Code) A plastic or textile tube suitable for carrying loose products, e.g. fruit.

**Used Codes**

UVQ	<p>Wrapped in plastic sheet (GS1 Temporary Code)</p> <p>An indication that the items have been wrapped in plastic sheet.</p>
WRP	<p>Wrapper (GS1 Temporary Code)</p> <p>Wrapping e.g. for an individually packed ice cream.</p>
X11	<p>Banded package (GS1 Temporary Code)</p> <p>A package with bands, usually metal or nylon, round it to hold the products together.</p>
X15	<p>Oneway pallet ISO 0 - 1/2 EURO Pallet (GS1 Temporary Code)</p> <p>Oneway pallet with dimensions 80 X 60 cm.</p>
X16	<p>Oneway pallet ISO 1 - 1/1 EURO Pallet (GS1 Temporary Code)</p> <p>Oneway pallet with dimensions 80 X 120 cm.</p>
X17	<p>Non-standard pallett (GS1 Temporary Code)</p> <p>Non-Standard pallett</p>
X18	<p>Parcel with exceptional dimensions (GS1 Temporary Code)</p> <p>Parcel with non-standard dimensions.</p>
X3	<p>Standard stack of stones (GS1 Temporary Code)</p> <p>Standard stack of stones.</p>
<b>7077</b>	<p>Description format code</p> <p>Code specifying the format of a description.</p>
A	<p>Free-form long description</p> <p>Long description of an item in free form.</p>
B	<p>Code and text</p> <p>Description of an item in coded and free form text.</p>
C	<p>Code (from industry code list)</p> <p>Description of an item in coded format.</p> <p>GS1 Description: Description of an item provided in coded format from an industry list.</p>
D	<p>Free-form price look up</p> <p>Price look-up description of a product for point of sale receipts.</p>
E	<p>Free-form short description</p> <p>Short description of an item in free form.</p>
F	<p>Free-form</p> <p>Description of an item in free form text.</p> <p>GS1 Description: Item related general free form text description, which is neither a short or long description of the item itself.</p>
S	<p>Structured (from industry code list)</p> <p>Description of an item in a structured format.</p>

**Used Codes**

<b>7081</b>	Item characteristic code Code specifying the characteristic of an item.
2	General product form Description of general product form.
3	Ship to stock Product without quality control when received.
4	Finish Description of the finish required/available on the product.
6	Construction method Description of the method of construction.
13	Quality The degree of excellence of a thing. GS1 Description: Characteristics to be described refer to the quality of the item.
27	Material description Description of material used to manufacture a product. GS1 Description: Free text description of the materials of which the article is composed.
31	European Community risk class European community classification "CE" indicating the safety risk of an article. GS1 Description: European commission classification indicating the safety risk of an article (also called CE-mark or CE-risk class).
35	Colour Description of the colour required/available on the product.
38	Grade Specification of the grade required/available for the product. GS1 Description: Specification of the grade required/available for the product, e.g. the grade of fruit.
44	Further identifying characteristic Description of further identifying characteristic of a product which enables the product to be distinguished from any similar products. GS1 Description: Extra descriptive information in free text which makes it possible to distinguish almost, but not completely, similar articles.
45	Private label name Describes the private label name of a product.
46	Silhouette Describes the outline of the item.

**Used Codes**

47	Warranty type description The warranty type description of the item.
48	Yarn count Describes the fineness of the yarn in the cloth. GS1 Note: Replaces GS1 Temporary Code U07. EDIFACT
61	New article The characteristic of a new item or commodity.
72	Vintage The harvest year of the grapes that are part of the composition of a particular wine.
75	Artist The performing artist(es) of a recorded song or piece of music.
76	Author The author of a written work.
77	Binding A description of the type of binding used for a written work.
78	Edition Description of the edition of a written work.
79	Other physical description Any other relevant physical description.
80	Publisher The publisher of a written piece of work as part of the item description.
81	Title The title of a work.
82	Series title Title of a series of works.
83	Volume title The title of a volume of work.
84	Composer The composer of a recorded song or piece of music.
85	Recording medium The medium on which a musical recording is made.
86	Music style The style of music.
87	Promotional event Describes the promotional event associated with a product.

**Used Codes**

98	Size Description of size in non-numeric terms.
120	Chemistry Code indicating the product's chemical characteristics.
126	Pattern Code indicating the product's pattern characteristics.
132	Fabric Code indicating the product's fabric characteristics.
169	Market segment Code indicating the market segment associated with a product.
171	Physical form Code indicating the physical form of a product.
196	Additional sectorial characteristics A code issued on a sectorial basis which identifies any additional characteristics of a product.
197	Product data base management description A description indicating how a product should be managed in a data base.
219	Style A kind, sort, or type that distinguishes one commodity from another commodity with similar characteristics. GS1 Note: Replaces GS1 Temporary Code STE. EDIFACT
223	Brand name The brand name of an item. EDIFACT
ANM	Article name (GS1 Temporary Code) The name of the product.
AVI	Available for ordering (GS1 Temporary Code) Goods are available for ordering.
BPD	Publication date (GS1 Temporary Code) The publication date of a written work as an element of the description.
BVP	Volume or part number (GS1 Temporary Code) The volume or part number of a written work.
DSC	Description (GS1 Temporary Code) A non-structured description of a product.
ECO	ECO labelling description (GS1 Temporary Code) Description of ECO labelling.

**Used Codes**

EDS	Expiry date surpassed (GS1 Temporary Code) The expiry date for goods has been surpassed.
FGT	Fishing gear type (GS1 Permanent Code) Fishing gear type
FN	Functional Name (GS1 Temporary Code) Describes use of the product or service by the consumer. Should help clarify the product classification associated with the GTIN.
FPC	Fish presentation code (GS1 Permanent Code) Fish presentation code
FQG	Fish quality grade (GS1 Permanent Code) Fish quality grade
FRZ	Freezing information (GS1 Permanent Code) Freezing information
FSS	Fish standardized size (GS1 Permanent Code) Fish standardized size
GDC	GIFAM fault code (GS1 Temporary Code) A code used in the white goods industry to identify faults.
GEO	Geographical area (GS1 Permanent Code) Relevant geographical area.
HAN	Handling instructions (GS1 Temporary Code) A code identifying a coded description of handling instructions.
HAZ	Hazardous material codes (GS1 Temporary Code) A code identifying a coded description of hazardous materials.
IDC	IRIS fault code (GS1 Temporary Code) A code used in the brown goods industry to identify faults.
IN	Invoice name (GS1 Temporary Code) Free form information provider assigned trade item description designed to match trade item/service description as noted on invoices.
IRC	IRIS repair code (GS1 Temporary Code) A code used in the brown goods industry to identify a repair required to correct a fault.
ISC	IRIS section code (GS1 Temporary Code) A code used in the brown goods industry to identify a section containing a fault.
ISY	IRIS symptom code (GS1 Temporary Code) A code used in the brown goods industry to identify a symptom of a fault.

**Used Codes**

KEY	<p>Keyword (GS1 Temporary Code)</p> <p>A word which may used as a search key to select items from a product file. A keyword is usually a word which does not exist in the product description but may exist in information accompanying the product, e.g. Keyword = Absorbent, Product description = Gauze dressing, Product information = 1 Peelpack with 10 absorbent gauze dressings.</p>
MNF	<p>Manufacturer (GS1 Temporary Code)</p> <p>The name of the manufacturer of the product which is printed on the product packaging.</p>
NAV	<p>Not available for ordering (GS1 Temporary Code)</p> <p>Goods are not available for ordering.</p>
OFS	<p>Order Fulfilment Strategy (GS1 Temporary Code)</p> <p>The method used by the supplier to fulfil a customer order for a particular product. Three strategies are recognised: Make to Order, Make to Stock and Engineer to Order.</p>
PR	<p>Product Range (GS1 Temporary Code)</p> <p>A name, used by a BrandOwner, that span multiple consumer categories or uses. E.g. (Waist Watchers).</p>
PRO	<p>Production Method (GS1 Permanent Code)</p> <p>Production Method Characteristics.</p>
RLI	<p>Rolling instructions (GS1 Temporary Code)</p> <p>Instructions concerning the rolling of material, e.g. paper, plastic, carpet, etc.</p>
SB	<p>Subbrand (GS1 Temporary Code)</p> <p>Second level of brand. Can be a trademark. It is the primary differentiating factor that a brand owner wants to communicate to the consumer or buyer.</p>
SBN	<p>Primary differentiating factor that a brand owner wants to communicate (GS1 Temporary Code)</p> <p>Second level of brand. Can be a trademark. It is the primary differentiating factor that a brand owner wants to communicate to the consumer or buyer. E. g. Yummy-Cola Classic. In this example Yummy-Cola is the brand and Classic is the subBrand.</p>
SCT	<p>Scientific name (GS1 Permanent Code)</p> <p>The scientific name of a product.</p>
SDS	<p>Shelf description (GS1 Temporary Code)</p> <p>A description of the product for shelf edge labelling purposes.</p>
SGR	<p>Size grid (GS1 Temporary Code)</p> <p>Grid of sizes, containing for a certain type of size (e.g., womans, France, etc) each possible value of the size (e.g., 28, 30, 32, etc).</p>
STE	<p>Style (GS1 Temporary Code)</p> <p>A code identifying the style of a product. GS1 Note: Code marked for deletion. Use value 219 instead.</p>

**Used Codes**

TDS	Technical description (GS1 Temporary Code) The technical description of a product.
TPE	Article type (GS1 Temporary Code) The article type allocated by the manufacturer to a product.
U02	Fiber (GS1 Temporary Code) A code identifying the fiber contained in a cloth.
U07	Yarn content (GS1 Temporary Code) A code indicating the yarn content of a fabric. GS1 Note: Code marked for deletion. Use value 48 instead.
U08	Roll pattern out (GS1 Temporary Code) An instruction to roll the product with the pattern side facing out.
U09	Roll pattern in (GS1 Temporary Code) An instruction to roll the product with the pattern side facing in.
UP2	Packaging language (GS1 Temporary Code) Language used for package markings.
UP4	Promotional free goods (GS1 Temporary Code) Free goods not associated to any other product given for promotional reasons.
UP5	Width or fitting (GS1 Temporary Code) An indication of the width or fitting (e.g. wide, loose, etc.) of a shoe or textile product.
UP6	Material shoe upper (GS1 Temporary Code) An indication of the material (e.g. leather, suede, canvas, etc.) used to construct a shoe upper.
UP7	Material shoe sole (GS1 Temporary Code) An indication of the material (e.g. leather, rubber, etc.) used to construct the sole of a shoe.
UP8	Material lining (GS1 Temporary Code) An indication of the lining (e.g. silk, leather, etc.) of a shoe or textile product.
UP9	Shoe heel height (GS1 Temporary Code) An indication of the height of the heel of a shoe.
UQ1	Base article exception rule (GS1 Temporary Code) An indication that what follows is a base article exception rule.
UQ2	Orchestra (GS1 Temporary Code) The Orchestra of a recorded song or piece of music.
UQ3	Conductor (GS1 Temporary Code) The conductor of a recorded song or piece of music.



**Used Codes**

UQ5	Inspection agencies (GS1 Temporary Code) Characteristics to be described refer to inspection agencies controlling the item described.
UQ6	Product without theft protection (GS1 Temporary Code) The product is not fitted with a protection against theft.
UQ7	Product with theft protection, active (GS1 Temporary Code) The product is fitted with a protection against theft that has been activated.
UQ8	Product with theft protection, inactive (GS1 Temporary Code) The product is fitted with a protection against theft that has not been activated.
WVL	Weight or volume loss (GS1 Temporary Code) Goods have suffered a weight or volume loss.
XX1	Collar Type (GS1 Temporary Code) Type of collar on the garment.
XX2	Sleeve Type (GS1 Temporary Code) Type of sleeve on the garment.
XX3	Clothing Cut (GS1 Temporary Code) Code identifying the clothing cut.
XX4	Non marked trade item components (GS1 Temporary Code) Code identifying the of price by measure.
XX5	Campaign name (GS1 Temporary Code) The type of a variable measure trade item.
XX6	Season name (GS1 Temporary Code) Element defines the season applicable to the item.
XX7	Season parameter (GS1 Temporary Code) Indication of the season, in which the trade item is available, i.e. assignment to one of the following collection periods: spring/summer, autumn/ winter or all year around.
XX8	Target Consumer Age (GS1 Temporary Code) Identifies the target consumer age range for which a trade item has been designed.
XX9	Target Consumer Gender (GS1 Temporary Code) Identifies the target consumer gender for which a product has been designed.
XY1	Link to external description (GS1 Temporary Code) The link (e.g. URL) to the external description.
XY2	Additional Trade Item Description (GS1 Temporary Code) Additional variants necessary to communicate to the industry to help define the product. Multiple variants can be established for each GTIN. This is a repeatable field, e.g. Style, Color, and Fragrance.

**Used Codes**

XY3	Trade item group identification (GS1 Temporary Code) The text description of the value represented by the trade itemGroupIDCode.
XY4	Price by measure type (GS1 Temporary Code) Code identifying the of price by measure.
XY5	Variable trade item type (GS1 Temporary Code) The type of a variable measure trade item.
<b>7143</b>	Item type identification code Coded identification of an item type.
BRI	Brick Code (GS1 Temporary Code) Global GS1 classification category code. Unique, permanent 10-digit key.
EWC	European Waste Catalogue (GS1 Temporary Code) Waste type number according to the European Waste Catalogue (EWC).
GAT	GPC Brick attribute type (GS1 Temporary Code) Unique 8 digit code which identifies the Global GS1 classification.
GAV	GPC brick attribute value (GS1 Temporary Code) Unique 8 digit code which identifies the Global GS1 classification attribute value
GN	National product group code National product group code. Administered by a national agency.
HS	Harmonised system The item number is part of, or is generated in the context of the Harmonised Commodity Description and Coding System (Harmonised System), as developed and maintained by the World Customs Organization (WCO).
IN	Buyer's item number The item number has been allocated by the buyer.
NB	Batch number The item number is a batch number. GS1 Description: Number supplementing the identification code of a product used to identify the specific production place and/or time of a product.
PV	Promotional variant number The item number is a promotional variant number. GS1 Description: Number supplementing the identification code of a product and identifying that product as a variant of the standard product. To be used when the variation is not sufficiently significant to justify a change fo the main identification code of the product.
SA	Supplier's article number Number assigned to an article by the supplier of that article.

## Used Codes

---

SN	Serial number Identification number of an item which distinguishes this specific item out of a number of identical items.
SRV	GS1 Global Trade Item Number A unique number, up to 14-digits, assigned according to the numbering structure of the GS1 system. 'GS1' stands for the 'Global Standards One'.
<b>7161</b>	Special service description code Code specifying a special service.
0	Released (GS1 Temporary Code) Informs the stockholder it is free to distribute the quality controlled passed goods.
1	Quality control held (GS1 Temporary Code) Instructs the stockholder to withhold distribution of the goods until the manufacturer has completed a quality control assessment.
2	Quality controlled embargo (GS1 Temporary Code) Instructs the stockholder to withhold distribution of goods which have failed quality control tests.
AA	Advertising allowance Description to be provided. GS1 Description: Allowance for the advertising costs or activities related to the product.
AAB	Returned goods charges Self-explanatory. GS1 Description: Charges related to the return of goods.
AAJ	Copper surcharge Difference between current price and basic copper value contained in product price.
AAM	Rubber surcharge Difference between current price and basic value contained in product price.
AAT	Rush delivery Charge for increased delivery speed.
AAX	Wolfram surcharge Difference between current price and basic value contained in product price.
AAY	Airport fee Charge associated with usage of airport facilities.
ABA	Compulsory storage fee Fee levied to cover the cost of carrying a certain amount of compulsory inventory (set by regulatory agency).

**Used Codes**

ABH	Throughput allowance Allowance for reaching or exceeding an agreed throughput threshold.
ABL	Packaging surcharge Additional charge for packaging of items.
ABZ	Miscellaneous rebate or discount Non-defined rebate or discount.
ACQ	Royalty surcharge Additional charge on an item's price for royalty.
ACY	Container deposit charge The charge relating to the packaging of a product in a container when the container is expected to be returned and has value when empty.
ACZ	Damaged merchandise The charge or credit relating to the circumstance of product being damaged and not saleable.
ADM	Binding services A code indicating binding services.
ADN	Repair or replacement of broken returnable package The repair or replacement of a broken returnable package.
ADO	Efficient logistics A code indicating efficient logistics services.
ADP	Merchandising A code indicating that merchandising services are in operation.
ADQ	Product mix A code indicating that product mixing services are in operation.
ADR	Other services A code indicating that other non-specific services are in operation.
ADS	Full pallet ordering Ordering of a full pallet of a product.
ADT	Pick-up For the pick-up or collection of goods.
ADZ	Direct delivery The specification of direct delivery as a special service.
AEK	Cash on delivery service An allowance or charge related to the provision of a cash on delivery service.
AEM	Clerical or administrative services The provision of clerical or administrative services.

**Used Codes**

AEN	Guarantee service The provision of a guarantee service.
AEO	Collection and recycling service The service of collection and recycling products.
AEP	Copyright fee collection services The service of the collection of copyright fees.
AEQ	Charge for exceeding agreed ordered quantity Charge applicable if the ordered quantity exceeds the quantity that has been agreed upon. GS1 Description: Charge when what the buyer is ordering exceeds the quantity that has been agreed upon.
AES	Veterinary inspection service Allowance or charge related to the service of veterinary inspection.
AEV	Environmental protection service An allowance or charge related to a provision of an environmental protection service. GS1 Description: An allowance or charge related to the provision of environmental protection or clean-up services.
AEX	National cheque processing service outside account area Service of processing a national cheque outside the ordering customer's bank trading area. GS1 Description: Service of processing a domestic cheque in an area, outside that where the ordering customer is holding his account.
AEY	National payment service outside account area Service of processing a national payment to a beneficiary holding an account outside the trading area of the ordering customer's bank.
AEZ	National payment service within account area Service of processing a national payment to a beneficiary holding an account within the trading area of the ordering customer's bank.
AG	Silver surcharge Difference between current price and basic value contained in product price.
AJ	Adjustments Description to be provided. GS1 Description: Allowance or charge related to adjustments.
ASS	Assortment allowance (GS1 Temporary Code) Allowance given when a specific part of a suppliers assortment is purchased by the buyer.

**Used Codes**

CA	Cataloguing services Description to be provided. GS1 Description: Allowance or charge related to the provision of cataloguing services.
CAC	Cash discount Discount incurring with cash payment.
CAG	Competitive allowance Price adjustment allowed for market conditions or factors.
CAI	Cutting charge Description to be provided. GS1 Description: An allowance or charge related to the service of cutting.
CAL	Payroll payment service Provision of a payroll payment service.
CAM	Cash transportation service Provision of a cash transportation service.
CAN	Home banking service Provision of a home banking service.
CAP	Insurance brokerage service Provision of an insurance brokerage service. GS1 Description: Charge or allowance paid to a bank, related to the purchase of insurance using the bank as a broker.
CAQ	Cheque generation service Provision of a cheque generation service. GS1 Description: Charge paid to a bank which relates to the generation of a cheque.
CAR	Preferential merchandising location Service of assigning a preferential location for merchandising.
CAS	Crane service Provision of a crane service.
CAT	Special colour service Providing a colour which is different from the default colour.
CAU	Sorting The provision of sorting services. EDIFACT
CAV	Battery collection and recycling The service of collection and recycling batteries.
CAW	Product Take Back Fee The fee the consumer must pay the manufacturer to take back the product.

**Used Codes**

CP	Competitive price Description to be provided. GS1 Description: Allowance or charge related to the availability of a competitive price.
DAE	Distributor discount/allowance Specific discount/allowance for distributors.
DBD	Debtor bound (GS1 Temporary Code) A special allowance or charge applicable to a specific debtor.
DDA	Dealer discount/allowance (GS1 Temporary Code) A discount or allowance offered by a party dealing a certain brand or brands of products.
DI	Discount A reduction from a usual or list price. GS1 Description: A discount is a reduction in the price of an item offered on a one off basis. An important distinction to make between discount and an allowance offered is that an allowance is a reduction which is offered on a regular basis.
DTC	Discount transferable to the consumer (GS1 Temporary Code) A discount given by the manufacturer which should be transferred to the consumer.
EAA	Early buy allowance Allowance granted to customers buying early.
EAB	Early payment allowance Allowance granted to customers paying early.
FA	Freight allowance Description to be provided. GS1 Description: Allowance for the shipment of goods or commodity.
FC	Freight charge Amount to be paid for moving goods, by whatever means, from one place to another, inclusive discounts, allowances, rebates, adjustment factors and additional cost relating to freight costs (UN/ECE Recommendation no 23).
FG	Free goods Allowance or rebate granted by delivery of goods free of charge.
FI	Finance charge Description to be provided. GS1 Description: A charge related to the provision of financing.
FR	Flat Rate (GS1 Temporary Code) A flat rate is applied.

**Used Codes**

GRB	Growth of business (GS1 Temporary Code) An allowance or charge related to the growth of business over a pre-determined period of time.
HD	Handling Charge for handling of the item.
IN	Insurance Charge for insurance.
INT	Introduction allowance (GS1 Temporary Code) An allowance related to the introduction of a new product to the range of products traded by a retailer.
IS	Invoice services Description to be provided. GS1 Description: An allowance or charge related to the provision of invoicing services.
LA	Labelling Service of labelling items.
MAC	Minimum order/minimum billing charge Description to be provided.
MB	Multi-buy promotion (GS1 Temporary Code) A code indicating special conditions related to a multi-buy promotion.
MC	Material surcharge (special materials) Description to be provided. GS1 Description: A surcharge related to the use of special materials.
NAA	Non-returnable containers Description to be provided. GS1 Description: An allowance or charge related to the use of non-returnable containers.
PAD	Promotional allowance Description to be provided. GS1 Description: An allowance related to a promotion.
PAE	Promotional discount Description to be provided. GS1 Description: A discount related to a promotion.
PAR	Partnership allowance (GS1 Temporary Code) An allowance or charge related to the establishment and on-going maintenance of a partnership.
PC	Packing Charge for packing.



**Used Codes**

PI	Pick-up allowance Description to be provided. GS1 Description: An allowance related to the pick up of goods.
PL	Palletizing Description to be provided. GS1 Description: An allowance or charge related to the palletization of goods.
PN	Pallet charge Description to be provided. GS1 Description: A charge related to the use of pallets.
QAA	Quantity surcharge Fee associated with providing goods outside "normal" quantity limits. GS1 Description: Fee associated with providing goods outside "normal" quantity limits.
QD	Quantity discount Description to be provided. GS1 Description: A discount related to the purchase of a specified quantity.
RAA	Rebate Description to be provided. GS1 Description: A rebate is the refund of part of an amount already paid for a product or service.
RAD	Returnable container Description to be provided. GS1 Description: An allowance or charge related to the use of returnable containers.
RAE	Resellers discount Description to be provided.
RCH	Return handling (GS1 Temporary Code) An allowance or charge related to the handling of returns.
SER	Service charge (GS1 Temporary Code) A charge related to the provision of a guarantee.
SH	Special handling service Description to be provided. GS1 Description: An allowance or charge related to the provision of special handling services.

**Used Codes**

TAE	Truckload discount Description to be provided. GS1 Description: A discount associated with the purchase or delivery of full trucks of a product or products.
TD	Trade discount Description to be provided. GS1 Description: A standard trade discount.
TX	Tax Contribution levied by an authority.
TZ	Temporary allowance Description to be provided. GS1 Description: An allowance which is available on a temporary basis.
VAB	Volume discount Discount offered based on the amount of purchase.
WHE	Wholesaling discount (GS1 Temporary Code) A special discount related to the purchase of products through a wholesaler.
X01	Allowance Global (GS1 Temporary Code) A global allowance is applied.
X02	Charge Global (GS1 Temporary Code) A global charge is applied.
X03	Consolidated (GS1 Temporary Code) A charge is consolidated.
X04	Lump sum (GS1 Temporary Code) A lump sum charge applied.
X05	Markup for small volume purchases (GS1 Temporary Code) A mark up is applied for small volume purchases.
X21	Special agreement (GS1 Temporary Code) Charge or allowance which relates to a special agreement.
X22	Bank charges information (GS1 Temporary Code) Charges not included in the total charge amount.
X23	Transfer commission (GS1 Temporary Code) Fee for the transfer of transferable documentary credits.
X29	Mimimum order not fulfilled charge (GS1 Temporary Code) Charge levied because the minimum order quantity could not be fulfilled.

**Used Codes**

X30	Point of sales allowance (GS1 Temporary Code) Allowance for reaching or exceeding an agreed sales threshold at the point of sales.
X31	Remittance (GS1 Temporary Code) Charge or allowance related to the service of a payment carried out with a cheque from a city different to the city where the beneficiary has the account.
X32	National consignment (GS1 Temporary Code) Charge or allowance which relates to the service of a payment carried out outside the city where the account was opened.
X33	Local consignment (GS1 Temporary Code) Charge or allowance which relates to the service of a payment carried out within the city where the account was opened.
X40	Allowance/charge regulated by law (GS1 Temporary Code) An allowance/charge related to a regulatory requirement.
XAA	Combine all same day shipment Description to be provided. GS1 Description: An allowance or charge related to the combination of all same day shipments.
BON	Direct bonus (GS1_DE code)
CRS	Collection and recycling service (GS1_DE code)
TOL	Toll (GS1_DE code)



**Example**

---

The date of the delivery note is 01.03.2018.

---

**RFF+ALO:4714'**

The message references to receiving advice number 4714.

---

**RFF+IV:4713'**

The current document is invoiced in invoice 4713.

---

**DTM+171:20180301:102'**

The date of the invoice is 01.03.2018.

---

**RFF+CT:1'**

Document references to agreement no. 1.

---

**DTM+171:20180301:102'**

The agreement date is 01.03.2018.

---

**RFF+DM:8711'**

The credit note specifies reference no. 8711.

---

**DTM+171:20180301:102'**

The date of the reference is 01.03.2018.

---

**RFF+AGG:8711'**

Credit note specifies commercial dispute 8711.

---

**DTM+171:20180301:102'**

The date of the commercial dispute is 01.03.2018.

---

**RFF+ALQ:8799'**

Reference to returns no. 8799.

---

**DTM+171:20180301:102'**

The date on the returns document is 01.03.2018.

---

**RFF+ACE:8799'**

Reference to document no. 8799.

---

**DTM+171:20180301:102'**

The date on the referencing document is 01.03.2018.

---

**RFF+UC:4711'**

The message references to consumers order number 4711.

---

**RFF+AGB:4711'**

The message references to sales agreement number 4711.

---

**RFF+ALQ:4788'**

The message references to returns notice number 4788.

---

**DTM+171:20180301:102'**

The date of the return document is 01.03.2018.

---

**RFF+AAS:4711'**

The message references to transport document number 4711.

---

**RFF+AXO:AT-N-01-BIO'**

The message contains only BIO products. All of them are certified by the control agency AT-N-01-BIO, as long as no other information is given at line level.

---

**NAD+BY+4071615111110::9'**

The buyer/invoicee is identified by GLN 4071615111110.

---

**RFF+IT:0815'**

**Example**

---

The identification in suppliers system is 0815.

---

**RFF+YC1:0815'**

The additional identification is 0815.

---

**RFF+VA:DE090909'**

The VAT registration number is DE090909.

---

**NAD+IV+4071615192710::9'**

Invoicee is identified by GLN 4071615192710.

---

**RFF+IT:0815'**

The internal identification is 0815.

---

**RFF+YC1:0815'**

The additional identification is 0815.

---

**RFF+VA:DE090909'**

The VAT registration number is DE090909.

---

**NAD+DP+4089876511111::9++Warenempfänger-Name 1:Warenempfänger-Name 2:Warenempfänger-Name 3+Maarweg 104+Köln++50825+DE'**

The delivery party is identified by Global location number 4089876511111.

---

**RFF+YC1:0816'**

The additional identification is 0816.

---

**RFF+IT:9988'**

The internal customer number is 9988.

---

**CTA+PD+AG-TI406:Herr Schmidt'**

Purchasing contact person is Mr. Schmidt.

---

**NAD+PW+4089876511111::9++Abholstelle-Name 1:Abholstelle-Name 2:Abholstelle-Name 3+Maarweg 104+Köln++50825+DE'**

The collection place is identified by GLN 4089876511111.

---

**RFF+YC1:0816'**

The additional identification is 0816.

---

**CTA+WH+AG-TI406:Herr Schmidt'**

Purchasing contact person is Mr. Schmidt

---

**NAD+UC+4089876986411::9++Endempfänger-Name 1:Endempfänger-Name 2:Endempfänger-Name 3+Maarweg 104+Köln++50825+DE'**

The ultimate consignee is identified by GLN 4089876986411.

---

**RFF+YC1:0816'**

The additional identification is 0816.

---

**NAD+SU+4389876511113::9+ABC123:X:X:X:X'**

The supplier/issuer of invoice is identified by GLN 4389876511113.

---

**RFF+GN:HRB-471111'**

German statements on business letters: HRB-471111

---

**RFF+YC1:0817'**

The additional identification is 0817.

---

**RFF+VA:DE101010'**

The VAT registration number is DE101010.

---

**RFF+FC:07/408/1234/5'**

**Example**

---

The fiscal tax number is 07/408/1234/5.

---

**NAD+PE+4389876512643::9'**

The payee is identified by GLN 4389876512643.

---

**RFF+YC1:0817'**

The additional identification is 0817.

---

**RFF+VA:DE101010'**

The VAT registration number is DE101010.

---

**NAD+DS+4389876511893::9'**

The distributor is identified by GLN 4389876511893.

---

**RFF+YC1:0822'**

The additional identification is 0822.

---

**TAX+7+VAT+ABC123++::19+S'**

The dominant tax rate of the document is 19%.

---

**CUX+2:EUR:4+3:USD:4+0.90243'**

The document has been invoiced in EURO.

---

**PAT+3'**

Due date:

---

**DTM+13:20180315:102'**

Invoice is due on 15.03.2018.

---

**PAT+3'**

Payment terms:

---

**DTM+12:20180412:102'**

Terms discount due date is 12.04.2018.

---

**PCD+12:2.5'**

2.5% early payment allowance are offered

---

**MOA+8:2.52'**

Early payment allowance is 2.52 EURO.

---

**PAT+3'**

Value date:

---

**DTM+209:20180412:102'**

The value date is 12.04.2018.

---

**ALC+A+Absprache++1+DI::246'**

Proforma invoice discount

---

**QTY+1:152'**

152 pieces

---

**PCD+3:2.75'**

2.75%

---

**MOA+25:108'**

Basis amount = 108 EURO

---

**MOA+8:2.97'**

equals 2.97 EURO

---

**RTE+1:500:100:H87'**

Rate: 500 EURO per 100 pieces

---

**Example****TAX+7+VAT+ABC123++:::19+S'**

Discount on invoice level is related to the part of the invoice, which is taxed with 19%.

**LIN+1+++4000862141404:SRV'**

The invoiced article is identified by GTIN 4000862141404.

**PIA+5+ABC5343:SA:::91'**

Only if LIN does not provide GTIN: Article identification in PIA

**PIA+1+ABC5343:SA:::91+XYZ987:IN:::92+1111:GN:::246+0815:SN:::91'**

Suppliers internal article number ABC5343, Buyers article number XYZ987, Article Group number 1111, Serial number 0815.

**PIA+1+CH-5343:NB:::91+XYZ987:HS+4012368259753:PV:::91+91201:EWC:::246'**

Batch number, Harmonized system, Promotional variant, type of waste = cardboard

**PIA+1+10000276:BRI:::9'**

Brick Code for wine

**PIA+1+20000217:GAT:::9+30002816:GAV:::9'**

Attribute type Colour of wine, Attribute value rosé

**IMD+A++:::Rudi Rüssel:::DE'**

Article long description: Rudi Rüssel

**IMD+C++IN:::9'**

The article is an invoicing unit

**IMD+C++CU:::9'**

The article is a consumer unit.

**IMD+C++SG:::9'**

Display, it is an assortment unit

**IMD+B+38+COX:::91:COX-Orange:::DE'**

Grade: COX (only fruit/vegetables)

**IMD+B+13+A:::91:Handelsklasse A:::DE'**

Quality class: A (only fruit/vegetables)

**IMD+B+SGR:::9+XXS:::91:Extra small:::DE'**

Size: XXS (only fruit/vegetables or textiles)

**IMD+B+35+Col3012:::91:PINK:::DE'**

Colour: Pink (only textile)

**IMD+C++RC:::9'**

GTIN identifies reusable empties (deposit)

**IMD+C++NRC:::9'**

GTIN identifies one way empties (deposit)

**MEA+AAI+AAA+GRM:6370'**

The weight of the article is 63.7 kg net.

**QTY+47:11'**

11 pieces are invoiced.

**QTY+46:11'**

11 pieces are delivered

**QTY+192:1'**

1 piece without invoicing.



**Example**

---

**ALI+++15'**

The line item is not subject for discount, e.g. deposit invoicing

---

**FTX+ZZZ+1++FREIER TEXT:FREE TEXT:FREIER TEXT:FREE TEXT:FREIER TEXT+DE'**

Possibility to provide free text.

---

**MOA+203:108.13'**

The line item amount is 108.13 EURO.

---

**MOA+131:-1.65'**

The total allowances for this line are 1.65 EURO.

---

**MOA+204:12.99'**

Shrinkage: 12.99 (only fruit/vegetables)

---

**MOA+402:219.78'**

Total retail value of the line item is 219.78 EURO

---

**PRI+AAA:9.98:::1:H87'**

The net price is 9.98 EURO.

---

**PRI+AAB:9.98:::1:H87'**

The gross price is 9.98 EURO.

---

**PRI+AAE:19.98::SRP:1:H87'**

The suggested retail price per piece is 19.98 EURO incl. tax.

---

**PRI+CAL:19.98::ABE:1:H87'**

Price without (tabacco) tax is 19.98.

---

**RFF+DQ:4714:1'**

The message references to delivery note number 4714, line 1.

---

**DTM+171:20180301:102'**

The date of the delivery note is 01.03.2018.

---

**RFF+AAK:4714:1'**

The message references to despatch advice number 4714, line 1.

---

**DTM+171:20180301:102'**

Despatch advice reference date is 01.03.2018

---

**RFF+ON:4711:1'**

The message references to buyers order number 4711, line 1.

---

**DTM+171:20180301:102'**

Buyers order is dated 01.03.2018.

---

**RFF+UC:4711'**

The message references to consumers order number 4711.

---

**DTM+171:20180301:102'**

Consumers order number reference date is 01.03.2018.

---

**RFF+AGB:4711'**

The message references to sales agreement number 4711.

---

**DTM+171:20180301:102'**

Sales agreement number reference date is 01.03.2018.

---

**RFF+AXO:AT-N-01-BIO'**

The article is a BIO product. It is certified by the control agency AT-N-01-BIO. The indication overwrites information of the heading section.

---

**Example****PAC+++AE:::12x6'**

Possibility to provide package type.

**MEA+AAI+AAA+GRM:6370'**

Net weight (only fruit/vegetables).

**TAX+7+VAT+ABC123++:::19+S'**

The VAT rate for the current line item is 19%.

**ALC+A+Absprache++1+DI:::246'**

Article discount :

**QTY+1:12'**

Quantity discount 12 pieces

**PCD+3:0.75'**

0,75%

**MOA+8:1.65'**

equals an allowance of 1.65 EURO

**MOA+25:220'**

Basis amount: 220 EURO.

**RTE+1:1.25:100:H87'**

Allowance: 1.25 EURO per 100 pieces.

**LIN+2++4000862141417:SRV+1:1'**

Sub line to describe consumer unit

**PIA+5+ABC5343:SA:::91'**

Only if LIN does not provide GTIN: Articleidentification in PIA

**IMD+C++CU:::9'**

GTIN 4000862141417 is a consumer unit

**MEA+AAI+AAA+GRM:6370'**

Weight of the article is 63.7 kg net.

**QTY+59:5'**

The invoiced unit contains 5 consumer units.

**LIN+3++4000862141423:SRV+1:1'**

Sub line to describe units included in assortment/display

**PIA+5+ABC5343:SA:::91'**

Only if LIN does not provide GTIN: Articleidentification in PIA

**PIA+1+ABC5343:SA:::91+XYZ987:IN:::92+1111:GN:::246+0815:SN:::91'**

Suppliers internal article number ABC5343, Buyers article number XYZ987, Article Group number 1111, Serial number 0815, article is an assortment.

**PIA+1+CH-5343:NB:::91+XYZ987:HS+4012368259753:PV:::91'**

Batch number, Harmonized system, Promotional variant.

**PIA+1+10000276:BRI:::9'**

Brick Code for wine

**PIA+1+20000217:GAT:::9+30002816:GAV:::9'**

Attribute type Colour of wine, Attribute value rosé

**IMD+C++CU:::9'**

The article is a consumer unit.

**Example**

---

**IMD+C++RC::9'**

GTIN identifies reusable empties (deposit)

**IMD+C++NRC::9'**

GTIN identifies one way empties (deposit)

**IMD+A++:::Rüssel von Rudi::DE'**

The article description is: Rüssel von Rudi

**QTY+45E:12:H87'**

12 pieces have been delivered.

**PAC+++AE:::12x6'**

Possibility to provide package type.

**TAX+7+VAT+ABC123++:::19+S'**

The VAT rate for the current line item is 19%.

**LIN+4++4000862141423:SRV+1:1'**

Sub line to describe and invoice units included in assortment/display.

**PIA+5+ABC5343:SA:::91'**

Only if LIN does not provide GTIN: Article identification in PIA

**PIA+1+ABC5343:SA:::91+XYZ987:IN:::92+1111:GN:::246+0815:SN:::91'**

Suppliers internal article number ABC5343, Buyers article number XYZ987, Article Group number 1111, Serial number 0815.

**PIA+1+CH-5343:NB:::91+XYZ987:HS+4012368259753:PV:::91'**

Batch number, Harmonized system, Promotional variant.

**PIA+1+10000276:BRI:::9'**

Brick Code for wine

**PIA+1+20000217:GAT:::9+30002816:GAV:::9'**

Attribute type Colour of wine, Attribute value rosé

**IMD+C++IN:::9'**

The article is an invoiced unit.

**IMD+C++CU:::9'**

The article is a consumer unit.

**IMD+C++RC:::9'**

GTIN identifies reusable empties (deposit)

**IMD+C++NRC:::9'**

One way empties (deposit)

**IMD+A++:::Rüssel von Rudi::DE'**

The article description is: Rüssel von Rudi.

**MEA+AAI+AAA+GRM:6370'**

Weight of the article is 63,7 kg net

**QTY+47:1'**

1 piece is invoiced

**QTY+192:1'**

1 piece without invoicing.

**ALI+++15'**

The line item is not subject for discount, e.g. deposit invoicing

**Example**

---

**MOA+203:108.13'**

The line item amount is 108.13 EURO.

**MOA+131:-1.65'**

The total allowances for this line are 1.65 EURO.

**PRI+AAA:9.98:::1:H87'**

The net price is 9.98 EURO.

**PRI+AAB:9.98:::1:H87'**

The gross price is 9.98 EURO.

**PRI+AAE:19.98::SRP:1:H87'**

The suggested retail price per piece ist 19.98 EURO incl. tax.

**PAC+++AE:::12x6'**

Possibility to provide package type.

**TAX+7+VAT+ABC123++:::19+S'**

The VAT rate for the current line item is 19%.

**ALC+A+Absprache++1+DI:::246'**

Article discount :

**QTY+1:12:H87'**

Quantity discount 12 pieces

**PCD+3:0.75'**

0.75%

**MOA+8:1.65'**

equals an allowance of 1.65 EURO.

**MOA+25:108'**

Basis amount: 108 EURO.

**RTE+1:1.25:100:H87'**

Allowance: 1.25 EURO per 100 pieces.

**UNS+S'**

Separation of detail- and summary section

**MOA+77:105.16'**

The total amount is 105,16 EURO.

**MOA+79:108.13'**

The total of all net line amounts is 108.13 EURO.

**MOA+131:-2.97'**

The total of all allowances/charges on document level is 2.97 EURO.

**MOA+402:219.78'**

Total retail value is 219.78 EURO.

**TAX+7+VAT+ABC123++:::16+S'**

The amounts based on a tax rate of 19% are:

**MOA+79:108.13'**

The total of all net line amounts is 108.13 EURO.

**MOA+131:2.97'**

The total of all allowances/Charges per tax rate on document level is 2,97 EURO.

**MOA+402:219.78'**

**Example**

---

Total retail value is 219.78 EURO.

---

**UNT+212+ME000001'**

Number of segments in the message

---

**UNZ+1+4711'**

The transmission file contains 1 message.

---